

EXPLOSIONSZEICHNUNG



KBS Gastrotechnik GmbH – Schoßbergstraße 26 – 65201 Wiesbaden

3.4 Component List

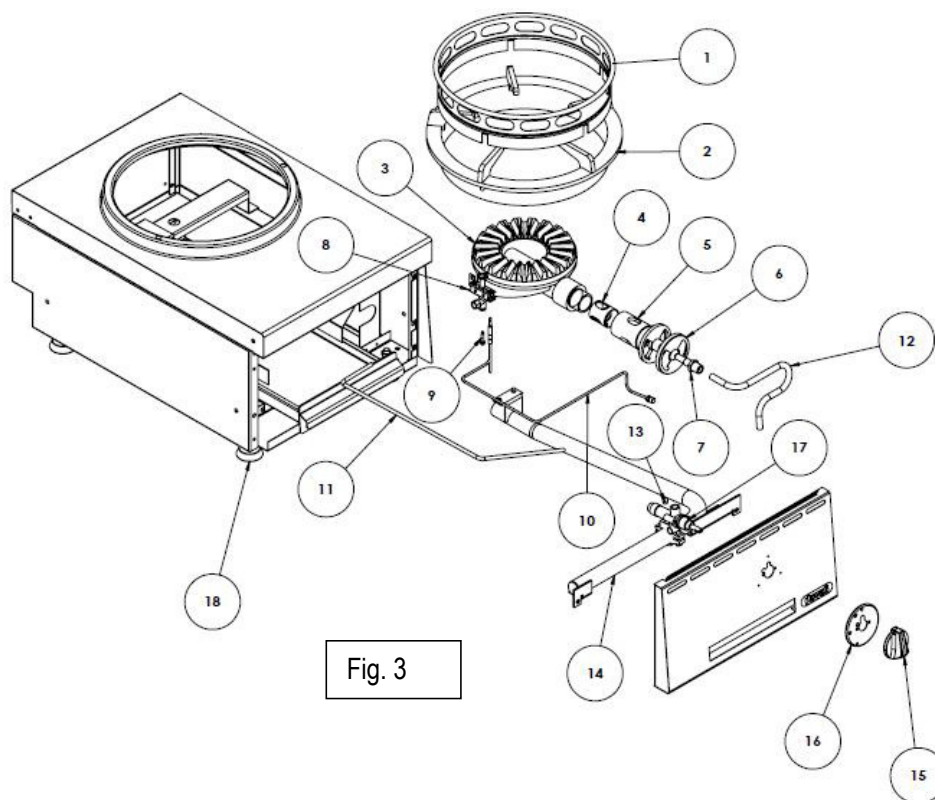


Fig. 3

Table 5 :

NO	PART CODE	DESCRIPTION	QTY
1	GS.2718A	Wok Holder NGWT	1
2	GS.2720B	Pot Holder Ø 280 mm	1
3	GS.4023	Burner NS9001	1
	GS.4030	Cast Iron Cap NS9001	1
4	GS.2825	Air Chamber bush 1.5 inch	1
5	GS.4357B	Air Chamber Mixing Jumbo Burner	1
6	GS.4358C	Primary Air Adjuster Plate	1
7	GS.283D	Nozzle Jumbo Burner Ø 1.80 (LPG)	1
	GS.283E	Nozzle Jumbo Burner Ø 3.05 (LNG)	1
8	GS.3851	Bunsen Pilot	1
9	GS.3828	Nozzle Pilot	1
10	GS.3895B	Thermocouple 600 mm	1
11	L605V27	Pilot Pipe	1
12	PD.9561V	Flexible Hose 200 mm	1
13	PD.4232	Nipple	1
14	I605V00D	Gas Min Pipe	1
15	PD.4052FD	Gas Knob Ø 8 mm	1
16	PD.4055O2A	Ring Gas Knob	1
17	GS.387D	Gas Cock	1
18	PD.2456	Adjustable Feet w/ Zinc Plate Screw	4