

EXPLOSIONSZEICHNUNG



KBS Gastrotechnik GmbH – Schoßbergstraße 26 – 65201 Wiesbaden

3.4 Component List

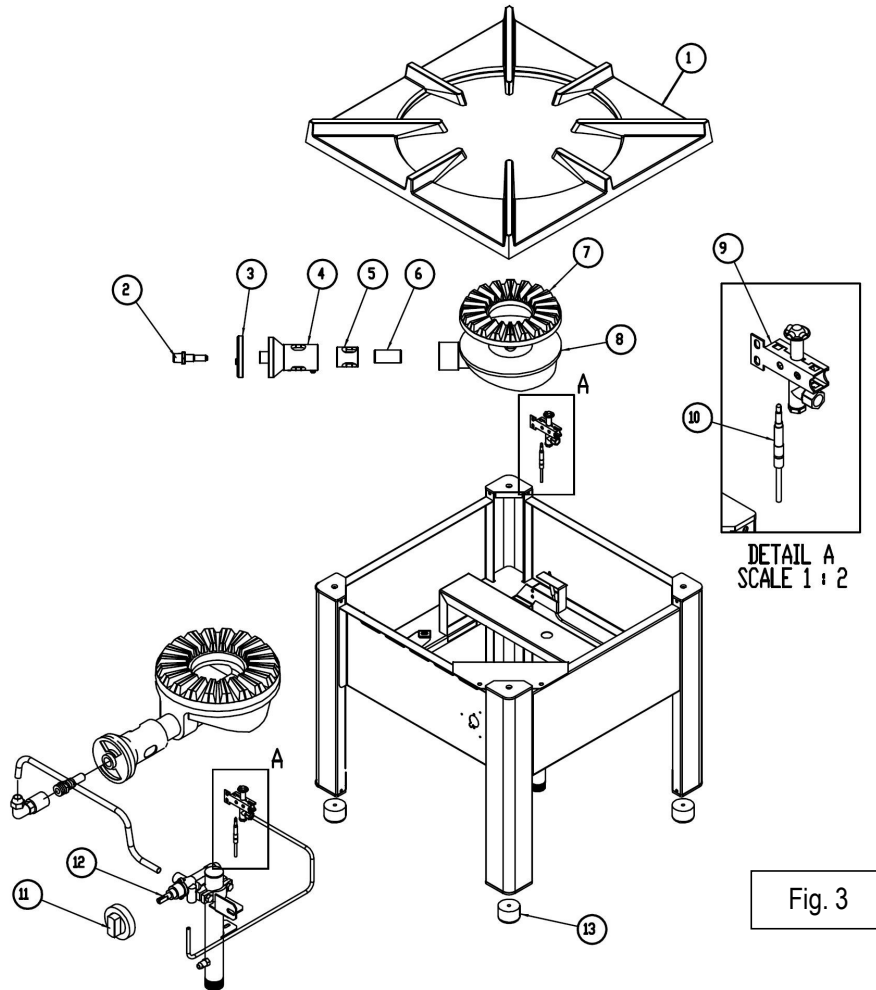


Fig. 3

Table 5 :

N0	PART NUMBER	DESCRIPTION	Qty
1	GS.4004A	GRILL PLATE 500 x 500 x 40	1
2	GS.283D	NOZZLE JUMBO BURNER D-1.80	1
	GS.283E	NOZZLE JUMBO BURNER D-3.05	1
3	GS.4358C	PRIMARY AIR ADJUSTER PLATE	1
4	GS.4357B	AIR CHAMBER MIXING JUMBO BURNER	1
5	GS.2825A	AIR CHAMBER BUSH-ALUMINIUM	1
6	GS.2826B	AIR CHAMBER PIPR-ALUMINIUM	1
7	GS.4030	CAST IRON CAP NS.9001	1
8	GS.4023	BURNER NS 9001	1
9	GS.3851	BUNSEN PILOT 3F / 3H 0.20 LPG	1
10	GS.3895	THERMOCOUPLE 9x1 600mm	1
	GS.3602	ABS KNOB F/VALVE TOP	1
11	GS.3862	RING F/ABS KNOB	1
	GS.387D	GAS VALVE W/BRACKET & BYPASS SCREW	1
12	GS.387D	GAS VALVE W/BRACKET & BYPASS SCREW	1
13	GS.1970	RUBBER PAD 1.5" x 27	4

FRM-PDE-03-04 (NYT/R&D/20200130)