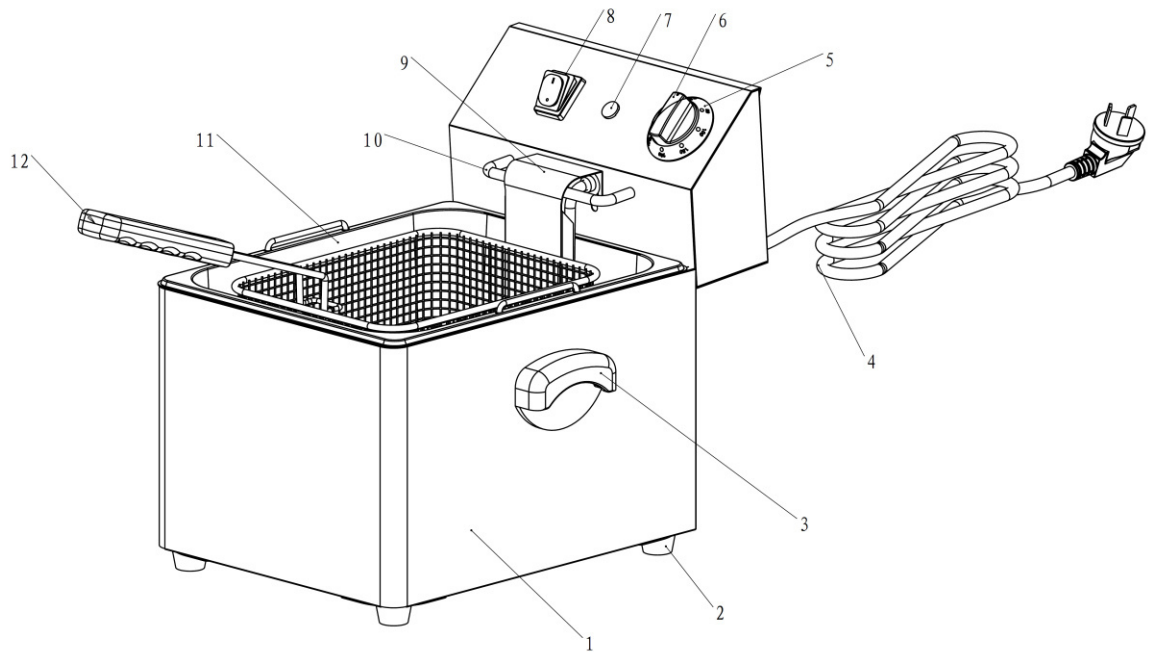


EXPLOSIONSZEICHNUNG



KBS Gastrotechnik GmbH – Schoßbergstraße 26 – 65201 Wiesbaden

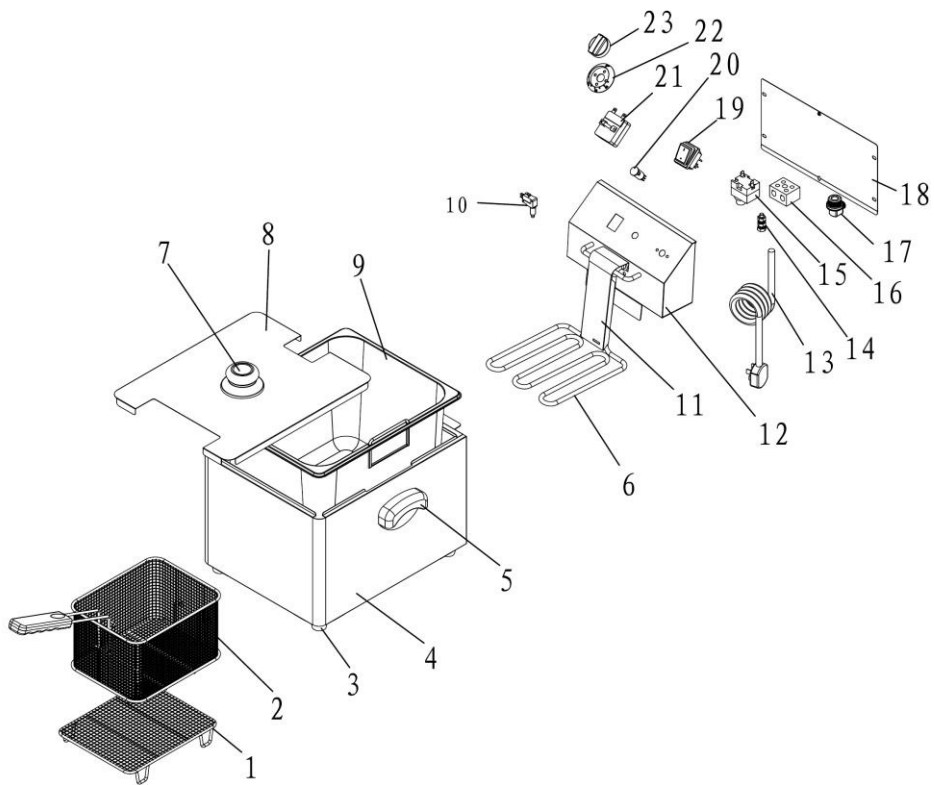
A. Structure



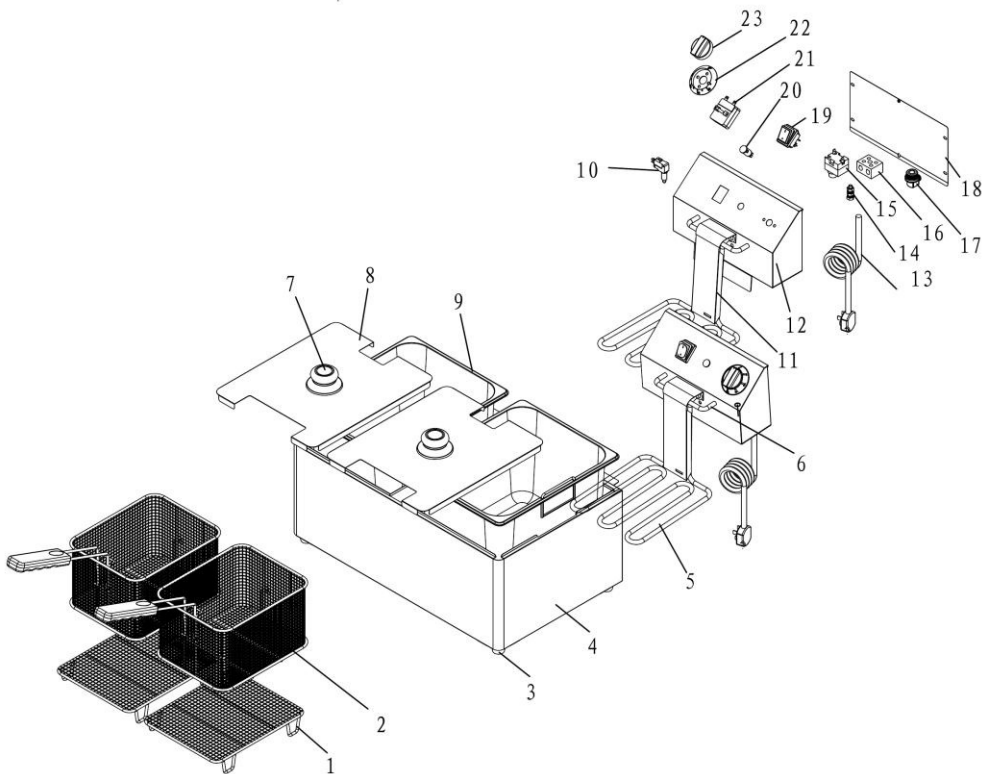
- 1- FRYER BODY 2- RUBBER FOOT 3-BODY HANDLE
4-POWER CABLE 5-KNOB BASE 6-KNOB
7-HEATING INDICATOR 8-POWER SWITCH
9- PROTECTING BOARD FOR ELECTRIC HEATING ELEMENT
10-BASKET HANGER 11-OIL POT 12- FRYING BSSKET

B. Solid diagram

1-tank electric fryer



2-tank electric fryer



1—MESH SUPPORT 2—FRYING BASKET 3—RUBBER FEET 4—FRYER BODY 5
 —ELECTRIC HEATING ELEMENT 6—BASKET HANGER 7—OIL POT COVER HANDLE
 8—OIL POT COVER 9—OIL POT 10—MICRO-SWITCH 11—PROTECTING BOARD FOR
 ELECTRIC HEATING ELEMENT 12—ELECTRIC BOX 13—POWER CABLE 14—
 EQUIPOTENTIAL GROUNDED SCREW 15— TEMPERATURE LIMITER 16—TERMINAL
 17—SHEATH OF POWER CABLE 18—BACK PLATE OF ELECTRIC BOX 19—POWER
 SWITCH 20—HEATING INDICATOR 21—THERMOSTAT 22—KNOB 23—KNOB BASE

LIST OF SOLID DIAGRAM

NO	NAME	SPECIFICATION	1-TANK FRYER QTY	2-TANKS FRYER QTY
1	Mesh support	Φ12 250V/14A	1	2
2	Frying basket	Stainless wire, net	1	2
3	Rubber feet	Φ30×15/black	4	4
4	Fryer body	Stainless S=0.8	1	1
5	Electric heating element	3.25kW,230V/50Hz	1	2
6	Basket hanger	Stainless steel	1	2
7	Oil pot cover handle	Bakelite	1	2
8	Oil pot cover	Stainless steel	1	1
9	Oil pot	Stainless steel	1	2
10	Micro-switch	KW-7-0/16A	1	2
11	Protecting board for electric heating element	Stainless S=0.8	1	2
12	Electric box	Stainless S=0.8	1	2
13	Power cable	250V 3×1.5mm ²	1	2
14	Equipotential ground screw	M6×15/brass	1	2
15	Temperature limiter	230°C/250V	1	2
16	Terminal	Ceramic 250V/16A	1	2
17	Sheath of power cable	Φ15/ABS Plastic	1	2
18	Back plate of electric box	Stainless Steel	1	2
19	Power switch	Green	1	2
20	Heating indicator	Φ12 250V/14A	1	2
21	Thermostat	190°C/250V	1	2
22	Knob	Plastic	1	2
23	Knob base	Plastic	1	2