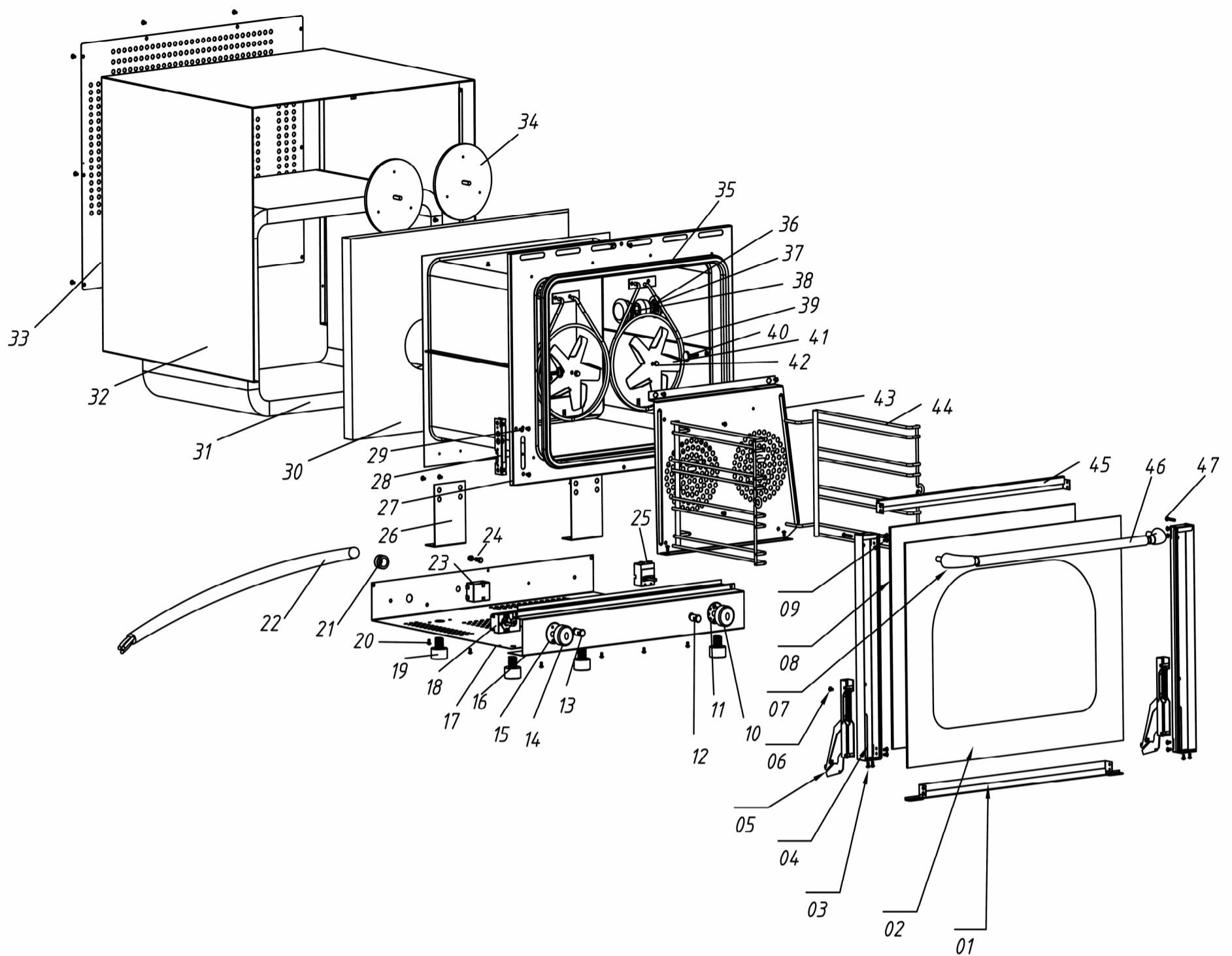


EXPLOSIONSZEICHNUNG



KBS Gastrotechnik GmbH – Schoßbergstraße 26 – 65201 Wiesbaden



YSD-1AE & YSD-1A PART LIST

S/N	Description (English)	Part Code	Unit QTY
1	Door lower cross beam	20207017005	1
2	Outer toughened glass	302100019	1
3	Screw		4
4	Door side plate	20207017007	2
5	Door hinge	302040263	2
6	Screw		2
7	Door Handle End	302070016	2
8	Inner toughened glass	302100023	1
9	Screw		8
10	Thermostat knob for back heating elements	301110034	1
11	Thermostat knob base for back heating elements	301110022	1
12	Timer indicator	301130013	1
13	Indicator(heating elements)	301130015	1
14	Timer knob	301110037	1
15	Timer knob base	301110020	1
16	Board	20207017015	1
17	Bottom board	20207017013	1
18	Timer(120min)	301120011	1
19	Foot	302090022	4
20	Cross round head screw		20
21	Power cord jacket	301070078	1
22	Power cord	301050006	3,5

23	Temperature limiter (360°C)	301030198L	1
24	Grounding bolt		1
25	Thermostat (300°C)	301030020	1
26	Bracket for inner chamber	302110035	2
27	Inner chamber	20107014001	1
28	Mounting bracket for hinge	302040266	2
29	Cross round head screw		7
30	Back insulation cotton		1
31	Insulation cotton		1
32	Shell		1
33	Back board	20207017014	1
34	Motor	301010131	2
35	Door Seal	302020055	1
36	Glass chimney	301130038	1
37	Illuminator	301130048	1
38	Glass chimney		One Set with #36
39	Heating element	301040094	2
40	Locking screw for shelf		8
41	Fan blade		One Set with #34
42	Locking screw for fan blade		One Set with #34
43	Air deflector	20207017035	1
44	Shelf	302110045	2
45	Upper cross beam	20207017006	1
46	Door Handle	20207017018	1
47	Locking screw for door handle		2

