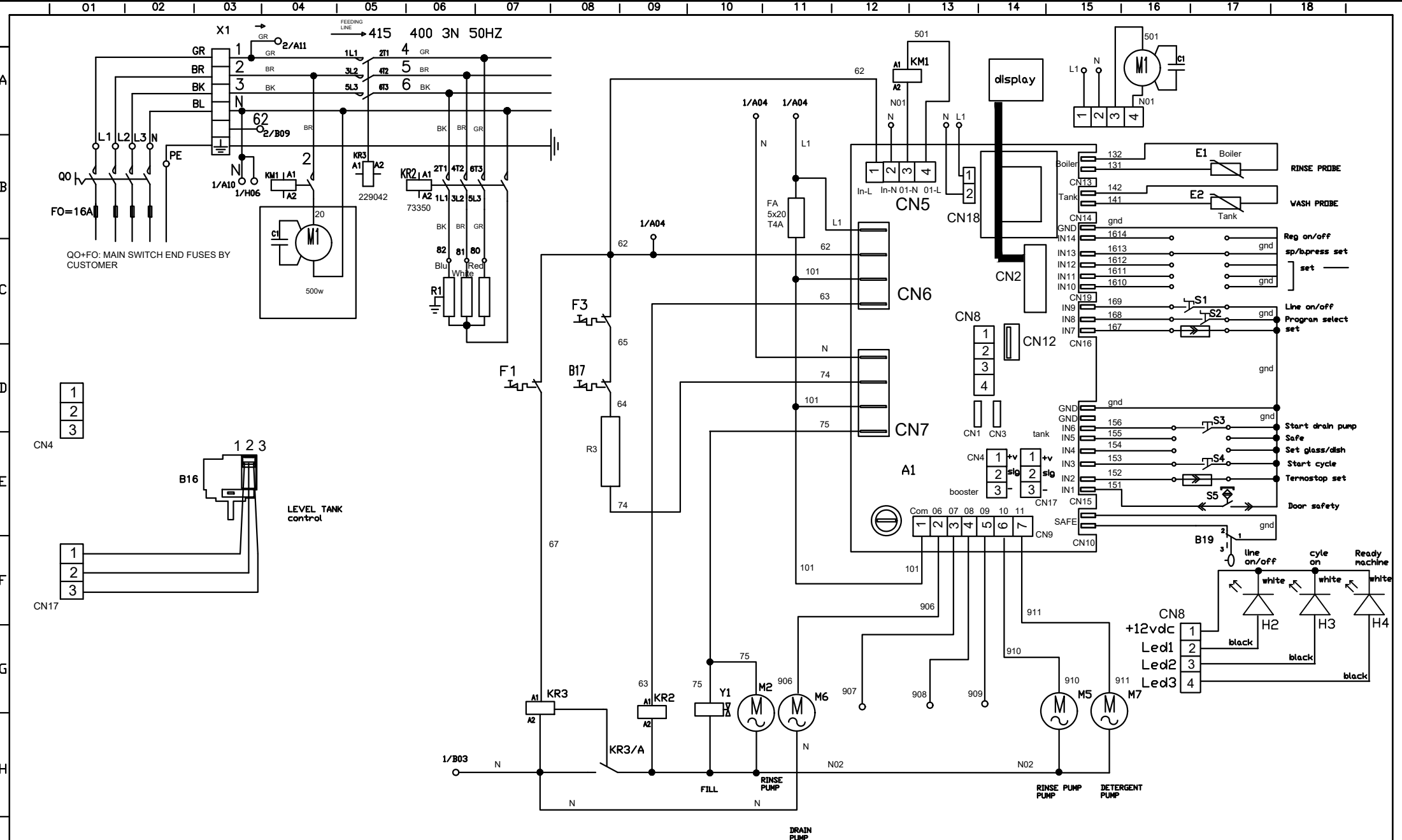


SCHALTPLAN



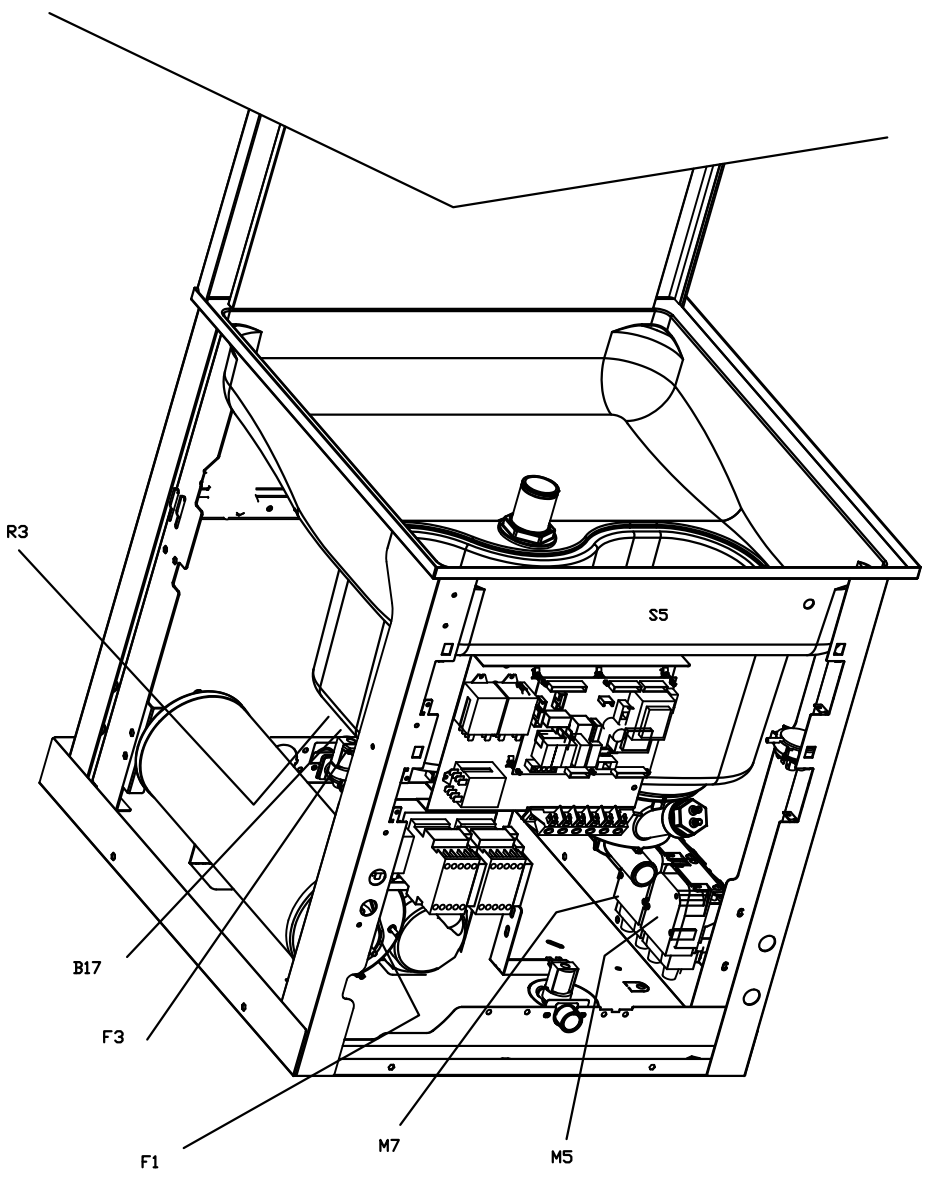
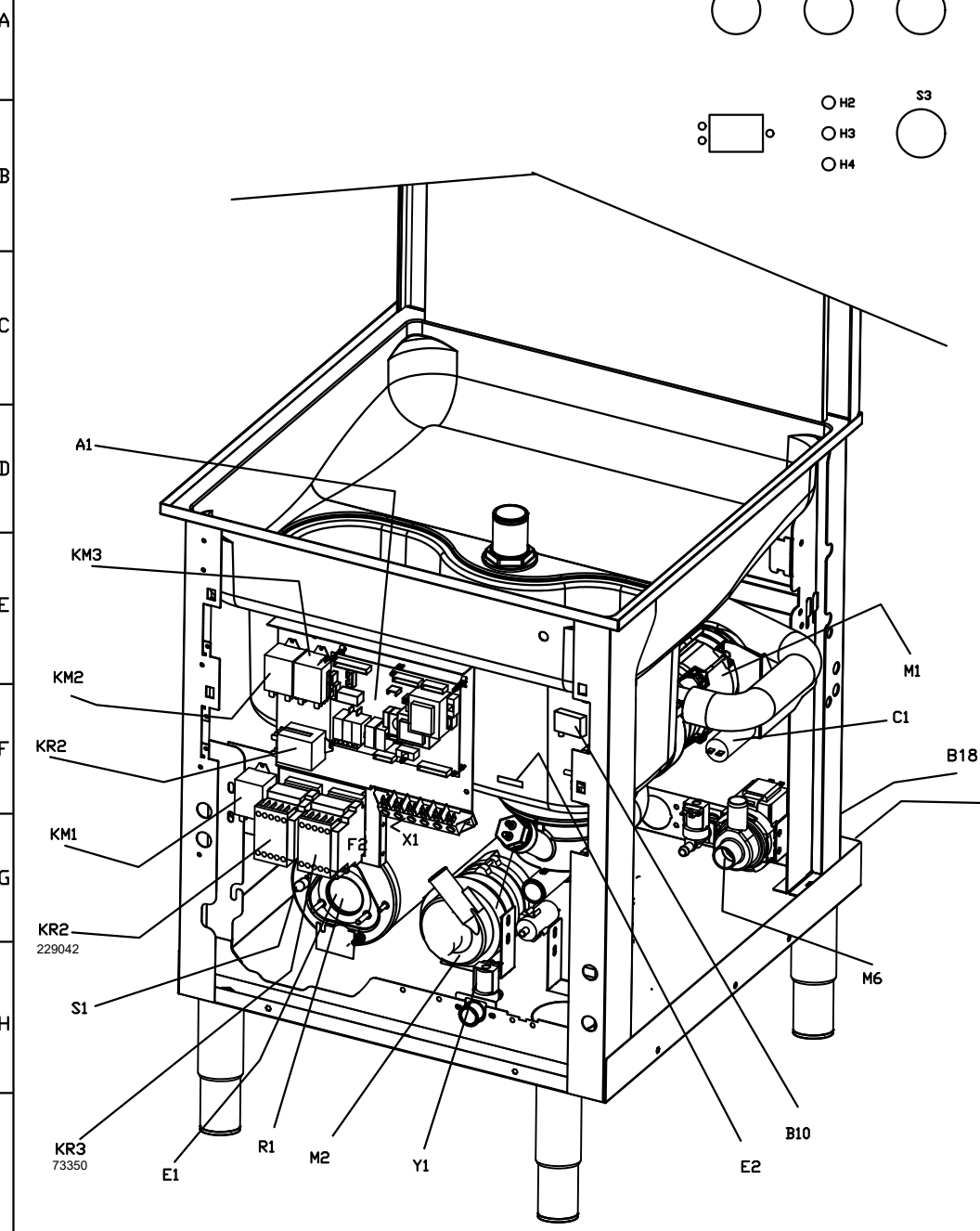
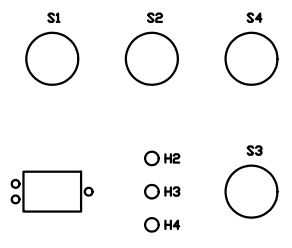
KBS Gastrotechnik GmbH – Schoßbergstraße 26 – 65201 Wiesbaden



DESCRIZIONE	SOSTITUISCE	DATA
-1 spostato collegamento elettropompa		
-2		

code Machine		denomination		Codice	
re-examined	date	WIRING DIAGRAMM		81964	
inspected by	date			Implanto 87106	
validated by		Dishwashers		n°/file	mod
		total blat	N° blat	Next blat	
		4	1	-2	

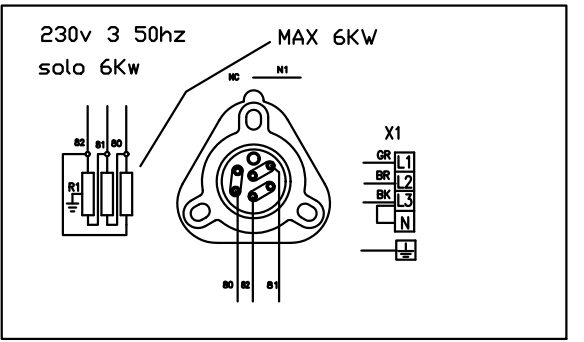
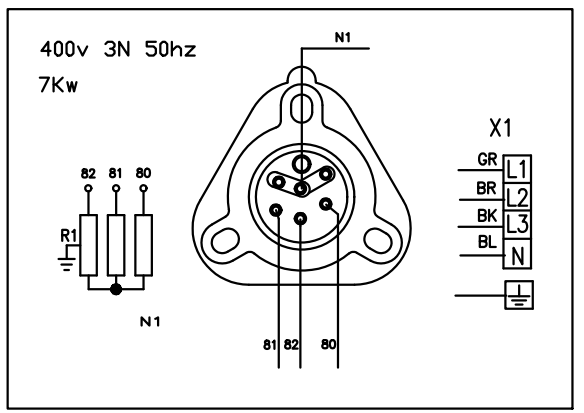
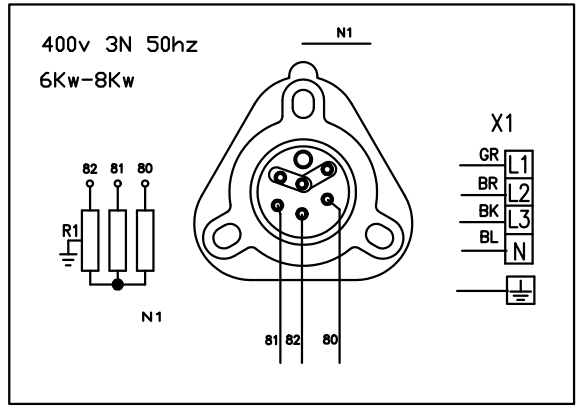
81964--



DESCRIZIONE	SOSTITUISCE	DATA
	81456	

code Machine		denomination			Codice	
re-examined	date	WIRING DIAGRAM				
	23/04/18					
Inspected by	date	Dishwashers			n°/file	mod
validated by	date	total blat	N° blat	Next blat	81964--	
		4	2	-3		

S6	PULSANTE DI LINEA MAIN SWITCH	INTERRUPTEUR DE LIGNE NETZSCHALTER		
S5	MICROINTERRUTTORE MAGNETICO MAGNETIC SAFETY MICROSWITCH	MICROINTERRUPTEUR MAGNETIQUE MAGNETISCHER SICHERHITTSCHALTER		
S3	INTERRUTTORE DI CICLO CYCLE SWITCH	INTERRUPTEUR DE DEMARRAGE WASCHVORGANGSSCHALTER		
S4	SELETTORE CICLO CYCLE COMMUTATOR	SELECTEUR CYCLE WAHLSCHALTER FUER WASCHVORGANGSDAUER		
F1	TERMOSTATO SICUREZZA BOILER SAFETY BOOSTER HEATER THERMOSTAT	THERMOSTAT DE SICURITE DU BOYLER SICHERHEITZUNG		
F3	TERMOSTATO SICUREZZA VASCA SAFETY TANK HEATER THERMOSTAT	THERMOSTAT DE SICURITE CUVE SICHERHEITS- TANKTHERMOSTAT		
R3	RESISTENZA VASCA LAVAGGIO WASH TANK HEATING ELEMENT	RESISTANCE CUVE DE LAVAGE WASCHTANKHEIZUNG		
R1	RESISTENZA BOILER BOOSTER HEATER HEATING ELEMENT	RESISTANCE BOYLER BOILERHEIZUNG		
M5	ELETTRODOSATORE TENSOATTIVO EL. RINSE/ID INJECTOR	DOSEUR EL. PRODUIT RINCAGE NACHSPUELMITTELDOSIERGERAET		
M6	ELETTROPOMPA DI SCARICO DRAIN PUMP	MOTEUR POMPE VIDANGE MOTOR LAUGENPUMPE		
M2	ELETTROPOMPA RISCIAQUO RINSE BOOSTER PUMP	ELECTROPOMPE AUGMENT PRESSION DRUCKSTEIGERUNGSPUMPE		
M7	ELETTRODOSATORE DETERSIVO EL. DETERGENT INJECTOR	DOSEUR EL. DETERGENT SPUEL MITTELDOSIERGERAET		
M1	ELETTROPOMPA LAVAGGIO WASH ELECTRIC PUMP	ELECTROPOMPE LAVAGE ELEKTRISCHE UMAELZPUMPE		
KR3	TELERUTTORE SICUREZZA RESISTENZA BOILER SAFETY BOOSTER HEATER CONTACTOR	CONTACTEUR RESISTANCE BOYLER LUFTSCHUETZ F. BOILERHEIZUNG		
KR2	TELERUTTORE RESISTENZA BOILER BOOSTER HEATER CONTACTOR	CONTACTEUR RESISTANCE BOYLER LUFTSCHUETZ F. BOILERHEIZUNG		
Y1	ELETTROVALVOLA RISCIAQUO RINSE SOLENOID VALVE	ELECTROVANNE DE RINCAGE MAGNETVENT FUER NACHSPUELUNG		
F... F1/F3	FUSIBILE FEUSES			
E1	SONDA CONTROLLO VASCA PROBE TANK HEATER	THERMOSTAT RESISTANCE CUVE TANKHEIZUNG/THERMOSTAT		
E2	SONDA CONTROLLO BOILER BOOSTER HEATER THERMOSTAT	THERMOSTAT RESISTANCE BOYLER BOILERHEIZUNG		
C1/C2	CONDENSATORE CAPACITOUR			
B16	PRESSOSTATO LIVELLO BOILER BOILER PRESSURE SWITCH	PRESSOSTAT NIVEAU SURCHAUFFER NACHSPULBOILER NIVEAUSCHALTER		
B18	CONTROLLO LIVELLO BRILLANTANTE RINSE AID CONTROL LEVEL	CONTROLE NIVEAU PRODUIT DE RINCAGE STUFE GLANZMITTEL		
B12	CONTROLLO LIVELLO DETERGENTE DETERGENT LEVEL	CONTROLE NIVEAU DETERGENT SPULMITTELNIVEAUSCHALTER		
B10	PRESSOSTATO LIVELLO VASCA TANK PRESSURE SWITCH	PRESSOSTAT NIVEAU AIRGAP TANKDRUCKSCHALTER-NIVEAUREGLER		
B17	TERMOSTATO DI LAVORO VASCA TANK WORK THERMOSTAT			
M/R/S	SCHEDA CONTROLLO ELECTRONIC CONTROL UNIT	FICHE DE CONTROLEELECTRONIQUE ELEKTRONISCHE BEDIENUNGSKARTE		
SIMB.	DESCRIZIONE DESCRIPTION	DESCRIPTION BESCHREIBUNG		

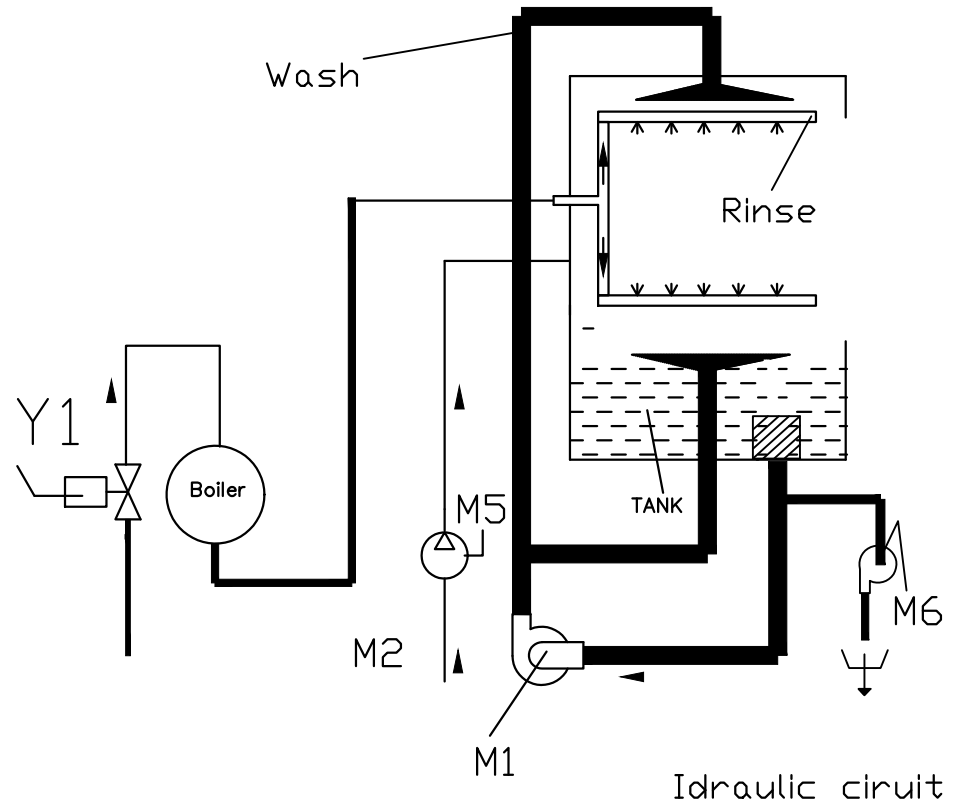


code Machine		denomination		Code	
re-examined	date	WIRING DIAGRAMM		n°/file mod	
	23/04/18				
Inspected by	date	Dishwashers		n°/file mod	
validated by	date	total blat	N° blat	Next blat	
		4	3	-4	

DESCRIZIONE	SOSTITUISCE	DATA
-1 collegamento monofase	81456	15-09-09

81964 --

	b press 60-120	b press 90-150	sp 60- 120	sp 60- 150	b press 60-120
in10 set	0	1	0	1	0
In11 set	0	0	1	1	0
In12 set	0	0	0	0	1
in7 set	0	0	0	0	0
in14=0 regeneration off In14=1 regeneration on	0/1	0/1	0/1	0/1	0/1
in13 SP (in13=0 : SP mode) (in13=1 normal mode)	0/1	0/1	0/1	0/1	0/1
cod	1	2	3	4	5
Macchina	15 l			20lt	



code Machine		denomination			Codice	
re-examined	date	Idraulic DIAGRAMM				
	23/04/18					
inspected by	date	Dishwashers			n°/file	mod
validated by	date	total blat	N° blat	Next blat	81964 --	
		4	4	--		