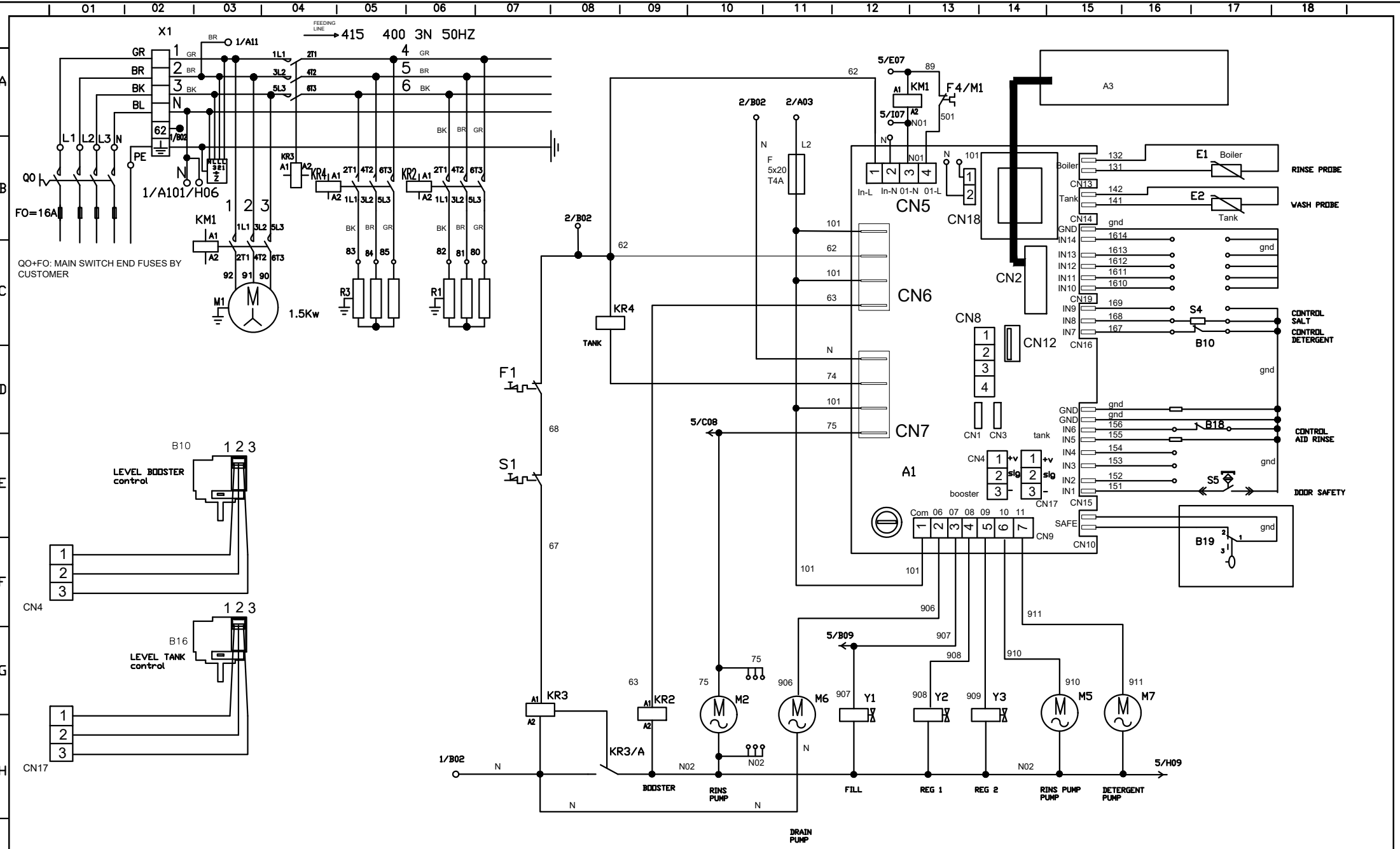


SCHALTPLAN



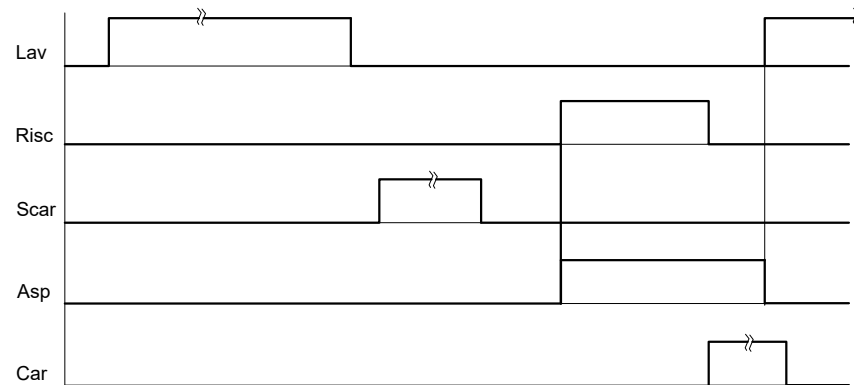
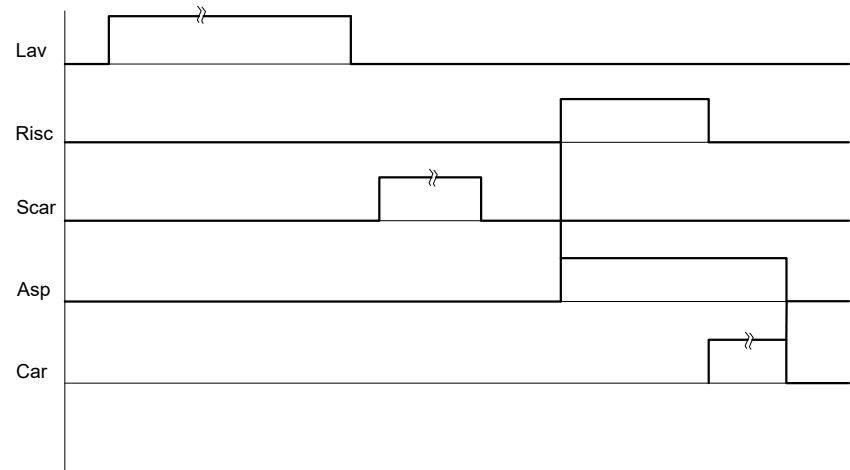
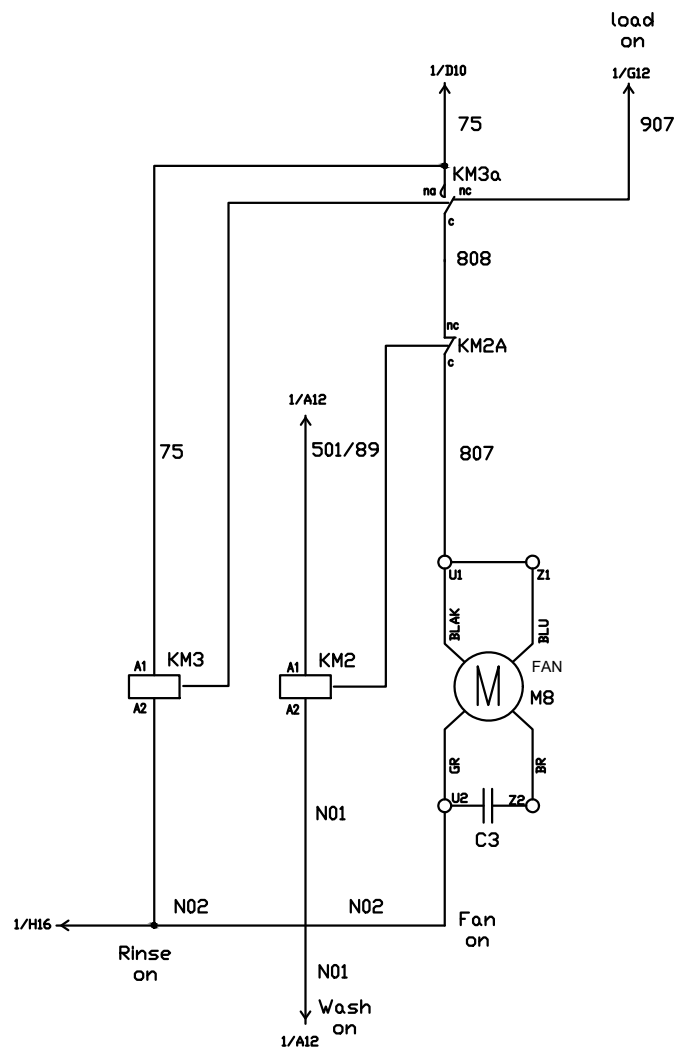
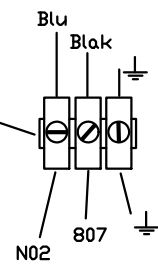
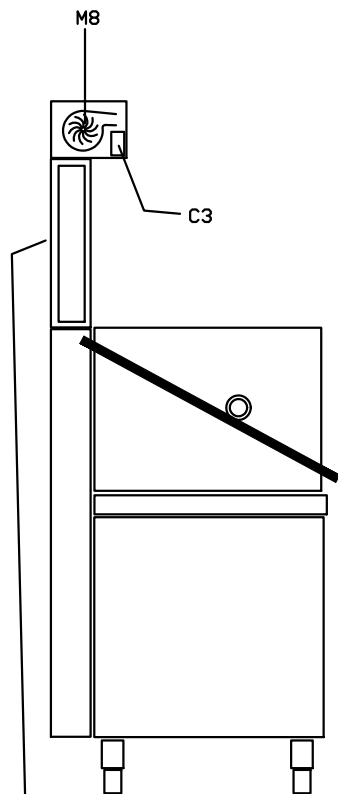
KBS Gastrotechnik GmbH – Schoßbergstraße 26 – 65201 Wiesbaden



DESCRIZIONE	SOSTITUISCE	DATA
-1		
-2		

code Machine		denomination		Codice	
re-examined		date		81958	
		09/05/17		Impianto 87130	
inspected by		date		n°/file	
				mod	
validated by		date		81958 -1	
				total blat	
				5	
				N° blat	
				1	
				Next blat	
				-2	

EXTRACTOR FAN CONTROL



WASH PROBE

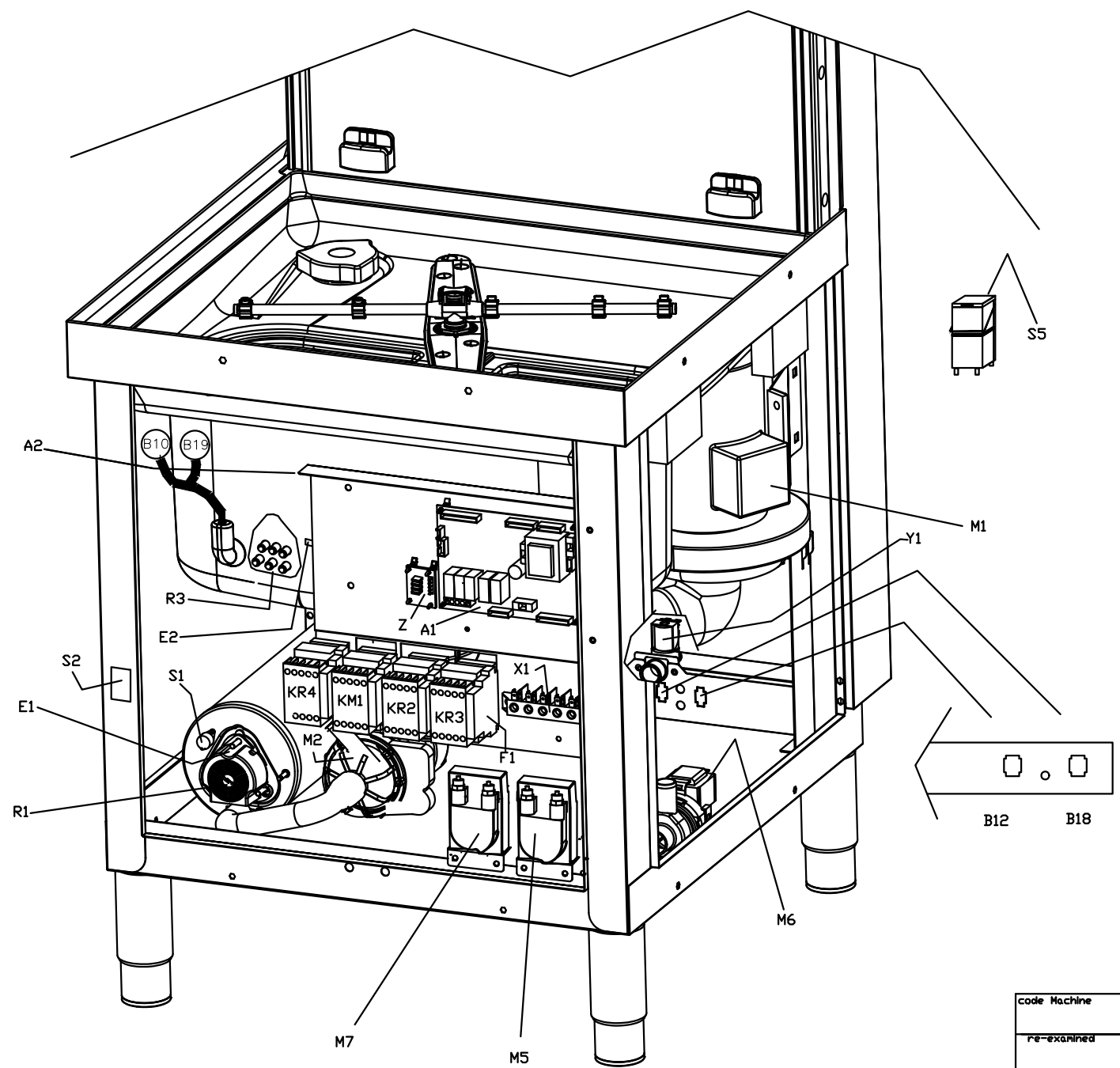
code Machine		denomination			Codice	
re-examined	date	WIRING DIAGRAMM			n°/file	
inspected by	date					
validated by	date	Dishwashers			81958-1	
		total blat	N° blat	Next blat		
		5	5	--		

87114

SOSTITUISCE DATA

DESCRIZIONE

-1
-2



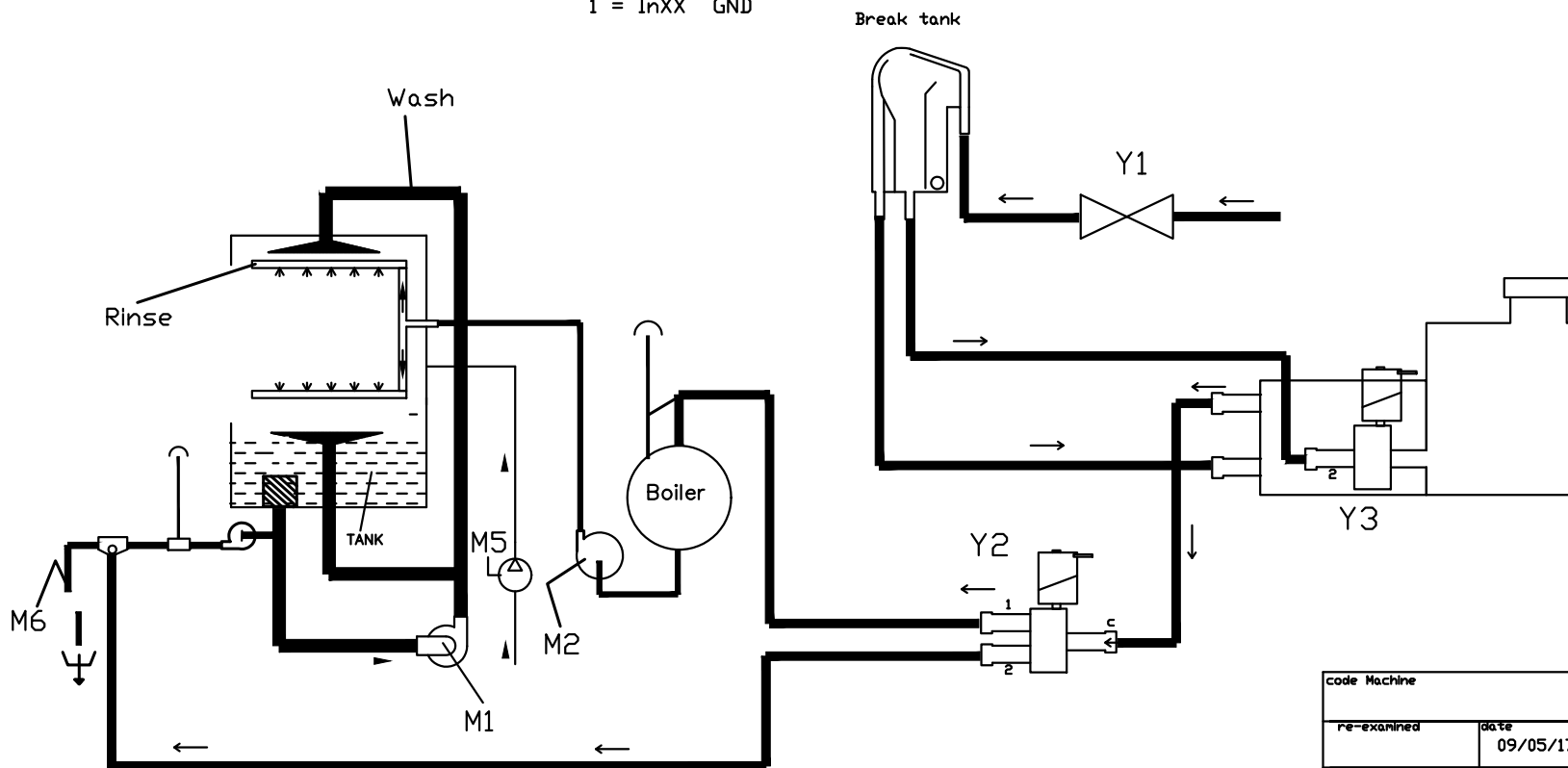
DESCRIZIONE	SOSTITUISCE	DATA
-1 spostata ev carico		27/06/12

code Machine		denomination			Codice	
re-examined	date	WIRING DIAGRAMM			n°/file	
inspected by	date					
validated by	date	Dishwashers			mod	
		total blat	N° blat	Next blat	81958-1	
		5	2	-3		

machine type cn19		
In14	In13	
0	0	crpsp
0	1	sp
1	0	crp
1	1	b. press

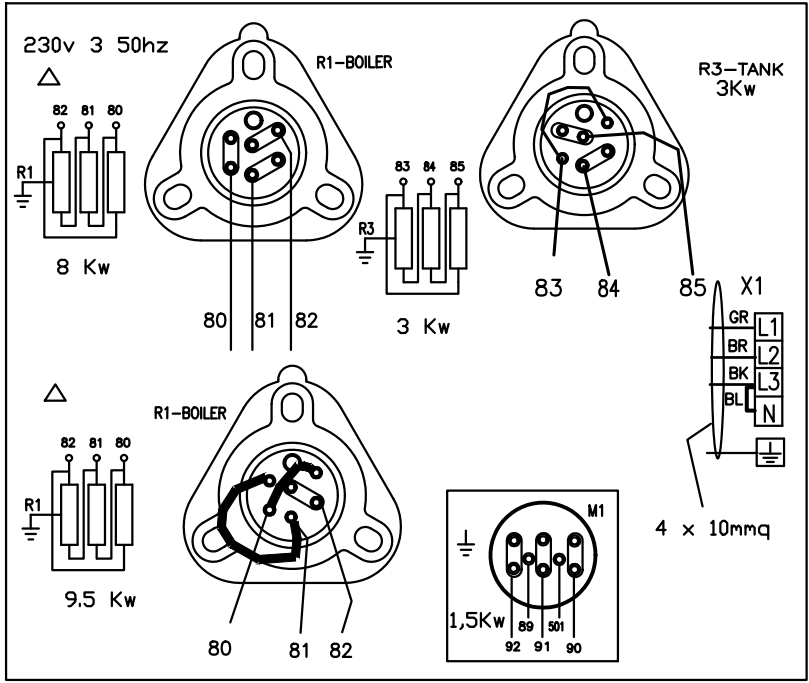
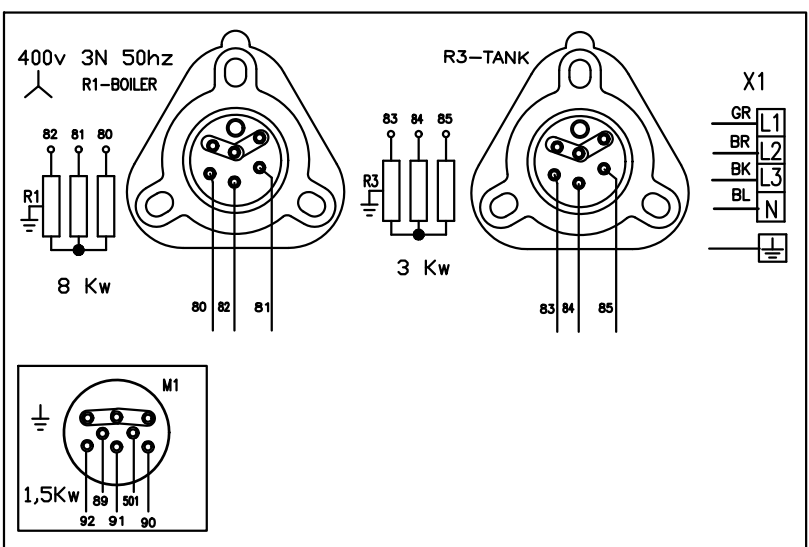
cn19 connection set display						
IN12	IN11	IN10			display code	display type
0	0	0			74905	LCD
0	0	1			74904	C4-2
0	1	0			80889	D
0	1	1			207084	D
1	0	0			80945	T2-2
1	0	1			80945	T3-5
1	1	0			74901	C2-1
1	1	1			74901	C4-1

1 = InXX GND



code Machine		denomination	Codice	
re-examined	date 09/05/17	Idraulic DIAGRAMM		
inspected by	date			
validated by	date	Dishwashers	n°/file	mod
		total blat 5	N° blat 4	Next blat 5
			81958	-1

S6	PULSANTE DI LINEA MAIN SWITCH	INTERRUPTEUR DE LIGNE NETZSCHALTER		
S5	MICROINTERRUTTORE MAGNETICO MAGNETIC SAFETY MICROSWITCH	MICROINTERRUPTEUR MAGNETIQUE MAGNETISCHER SICHERHITSSCHALTER		
S3	INTERRUTTORE DI CICLO CYCLE SWITCH	INTERRUPTEUR DE DEMARRAGE WASCHVORGANGSSCHALTER		
S4	SELETTORE CICLO CYCLE COMMUTATOR	SELECTEUR CYCLE WAELSCHALTER FUER WASCHVORGANGSDAUER		
S1	TERMOSTATO SICUREZZA BOILER SAFETY BOOSTER HEATER THERMOSTAT	THERMOSTAT DE SICURITE DU BOYLER SICHERHEITZUNG		
F3A S2	TERMOSTATO SICUREZZA VASCA SAFETY TANK HEATER THERMOSTAT	THERMOSTAT DE SICURITE CUVE SICHERHEITS- TANKTHERMOSTAT		
R3	RESISTENZA VASCA LAVAGGIO WASH TANK HEATING ELEMENT	RESISTANCE CUVE DE LAVAGE WASCHTANKHEIZUNG		
R1	RESISTENZA BOILER BOOSTER HEATER HEATING ELEMENT	RESISTANCE BOYLER BOILERHEIZUNG		
M5	ELETTRODOSATORE TENSIOATTIVO EL. RINSE/AD INJECTOR	DOSEUR EL. PRODUIT RINCAGE NACHSPUELMITTELDOSIERGERAET		
M6	ELETTROPOMPA DI SCARICO DRAIN PUMP	MOTEUR POMPE VIDANGE MOTOR LAUGENPUMPE		
M2	ELETTROPOMPA RISCIAQUO RINSE BOOSTER PUMP	ELETTROPOMPE AUGMENT PRESSION DRUCKSTEIGERUNGSPUMPE		
M7	ELETTRODOSATORE DETERSIVO EL. DETERGENT INJECTOR	DOSEUR EL. DETERGENT SPUEL MITTELDOSIERGERAET		
M1	ELETTROPOMPA LAVAGGIO WASH ELECTRIC PUMP	ELETTROPOMPE LAVAGE ELEKTRISCHE UMAELZPUMPE		
KR3	TELERUTTORE SICUREZZA RESISTENZA BOILER SAFETY BOOSTER HEATER CONTACTOR	CONTACTEUR RESISTANCE BOYLER LUFTSCHUETZ F. BOILERHEIZUNG		
KR4	TELERUTTORE RESISTENZA RISC., VASCA TANK HEATER CONTACTOR			
KR2	TELERUTTORE RESISTENZA BOILER BOOSTER HEATER CONTACTOR	CONTACTEUR RESISTANCE BOYLER LUFTSCHUETZ F. BOILERHEIZUNG		
KM1	TELERUTTORE ELETTROPOMPA LAVAGGIO WASCH PUMP CONTACTEUR	CONTACTEUR ELECTROPOMPE LAVAGE SCHUETZ F. UMWALPUMPE		
Y1	ELETTROVALVOLA RISCIAQUO RINSE SOLENOID VALVE	ELECTROVANNE DE RINCAGE MAGNETVENT FUER NACHSPUELUNG		
F... F1/2/3	FUSIBILE FEUSES			
E1	SONDA CONTROLLO VASCA PROBE TANK HEATER	THERMOSTAT RESISTANCE CUVE THANKHEIZUNG/THERMOSTAT		
E2	SONDA CONTROLLO BOILER BOOSTER HEATER THERMOSTAT	THERMOSTAT RESISTANCE BOYLER BOILERHEIZUNG		
C1/C2	CONDENSATORE CAPACITOUR			
B16	PRESSOSTATO LIVELLO BOILER BOILER PRESSURE SWITCH	PRESSOSTAT NIVEAU SURCHAUFFER NACHSPULBOILER NIVEAUSCHALTER		
B18	CONTROLLO LIVELLO BRILLANTANTE RINSE AID CONTROL LEVEL	CONTROLE NIVEAU PRODUIT DE RINCAGE STUFE GLANZMITTEL		
B12	CONTROLLO LIVELLO DETERGENTE DETERGENT LEVEL	CONTROLE NIVEAU DETERGENT SPULMITTELNIVEAUSCHALTER		
B10	PRESSOSTATO LIVELLO VASCA TANK PRESSURE SWITCH	PRESSOSTAT NIVEAU AIRGAP TANKDRUCKSCHALTER-NIVEAUREGLER		
Z	FILTRO RETE NETWORK FILTER	RESEAU DE FILTRAGE FILTERNETZWERK		
N/A/AS	SCHEDA CONTROLLO ELECTRONIC CONTROL UNIT	FICHE DE CONTROLEELECTRONIQUE ELEKTRONISCHE BEDIENUNGSKARTE		
SIMB.	DESCRIZIONE DESCRIPTION	DESCRIZIONE BESCHREIBUNG		



code Machine		denomination		Code	
re-examined	date	WIRING DIAGRAMM		Dishwashers	
inspected by	date				
validated by	date	total blat	N° blat	Next blat	
		5	3	-4	81958 -1

DESCRIZIONE	SOSTITUISCE	DATA
-1		