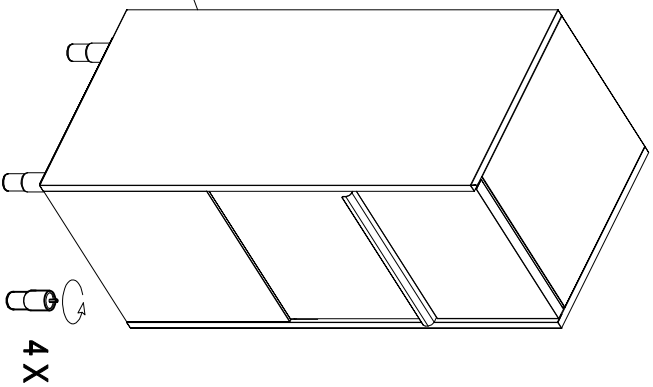
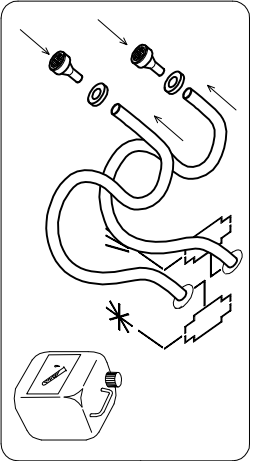


A		∅ 50mm M	A		∅ 35 mm M
B		G 3/4" M	B	EXIT	G 3/4" F
C		Power supply	E		Steam exhaust



Installation layout
 M.PIERI
 Date: 12/10/2018
 Utensil washer
 Determination:

Code: LP5SP 00
 Rev.:

