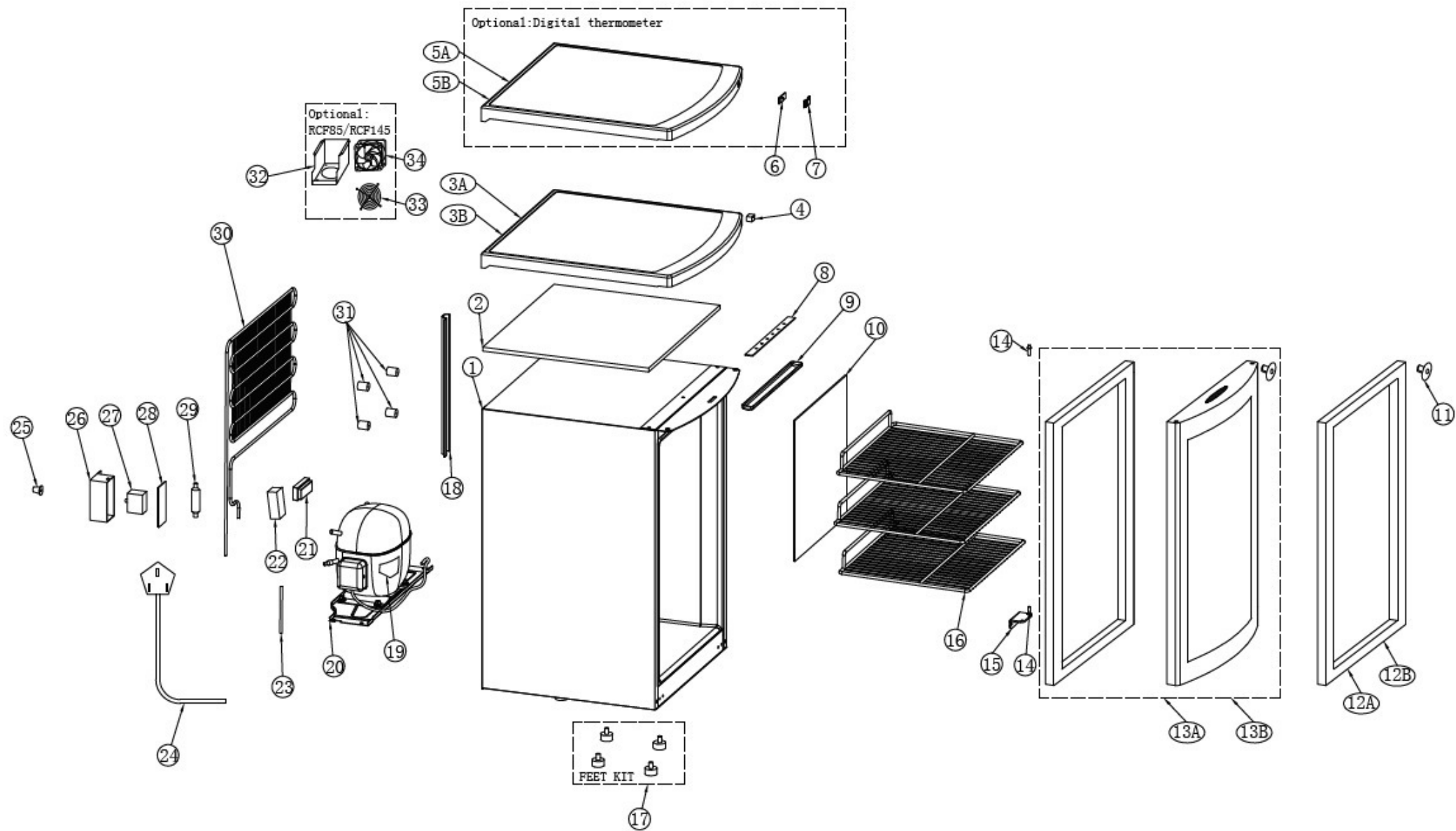


Explosionszeichnung

Glastürkühlschrank
KBS 145 U



KBS Gastrotechnik GmbH - Johannes-Kepler-Str. 14 - 55129 Mainz



ITEM N° 3:A) White color
 B) Gray color
 ITEM N° 5:A) White color
 B) Gray color

ITEM N° 12:A) White color
 B) Gray color
 ITEM N° 13:A) White color
 B) Gray color

| Teileliste: | | | |
|--------------------|---------------|--|----------|
| Lev. 0 | Item Number | Descr | Quantity |
| | EV6AB1A01000 | RC/F 85-RC/F 145 - EXPLODED VIEW DRAW.(Ver.A0-S10)White/Grey | 1 pc |
| 1 | S46AB10A0W02 | RC 145/RCF 145-FOAMED ASSEMBLED BODY (White Color)-(S10) | 1 pc |
| 2 | C26AB00A0009 | RC 85/145 Series-STYROFOAM TOP-(S10) | 1 pc |
| 3A | P06AB00A0W10 | RC(F) 85/145 - WHITE TOP COVER (Without ElectThermom.)-(S10) | 1 pc |
| 3B | P06AB00A0G10 | RC(F) 85/145 - GRAY TOP COVER (Without ElectThermom.)-(S10) | 1 pc |
| 4 | E2314WH00001 | KCD1 LIGHT SWITCH: TYPE KCD1-201/2P (A2K) | 1 pc |
| 5A | P06AB00A0W11 | RC(F) 85/145 - WHITE TOP COVER(With Elect.Thermom.)-(S10) | 1 pc |
| 5B | P06AB00A0G11 | RC(F) 85/145 - GRAY TOP COVER(With Elect.Thermom.)-(S10) | 1 pc |
| 6 | E306AB0000002 | RC 85/145 Series - ELECTRONIC THERMOMETER PCB+DISPLAY-(S10) | 1 pc |
| 7 | P06AB00A0012 | RC 85/145 Series-COVER FOR DIGITAL THERMOMETER-(S10) | 1 pc |
| 8 | E22AL0030030 | LED STRIPES LAMP-12VDC 3.36 W-N°21 HIGH BRIGHT | 1 pc |
| 9 | P06AB00A0013 | RC 85/145 Series-LED LIGHT TRANSPARENT COVER-(S10) | 1 pc |
| 10 | A06AB07A0002 | RC 85/145 Series - EVAPORATOR-(S10) | 1 pc |
| 11 | Z06AB02A0006 | RC 85/145 Series - LOCK + N°1 KEYS-(S10) | 1 pc |
| 12A | R06AB12A0W04 | RC 145/RCF 145 - WHITE GASKET DOOR-(S10) | 1 pc |
| 12B | R06AB12A0G04 | RC 145/RCF 145 - GRAY GASKET DOOR-(S10) | 1 pc |
| 13A | S46AB12A0W03 | RC(F) 145 -WHITE GLASS DOOR (INCLUDED GASKET AND LOCK)-(S10) | 1 pc |
| 13B | S46AB12A0G03 | RC(F) 145 - GRAY GLASS DOOR (INCLUDED GASKET AND LOCK)-(S10) | 1 pc |
| 14 | Z06AB02A0009 | RC 85/145 Series-PIVOT FOR UPPER/BOTTOM HINGE-(S10) | 2 pc |
| 15 | Z06AB02A0010 | RC 85/145 Series-BOTTOM HINGE-(S10) | 1 pc |
| 16 | I06AB09A0002 | RC/RCF 85 - RC/RCF 145 - SHELF-(S10) | 3 pc |
| 17 | KITFT6AB0A00 | RC 85/145 Series - FEET KIT (Dim. M8*40)-(S10) | 1 pc |
| 18 | P06AB10A0W03 | RC 145/RCS 145/RCF 145 - BACKGROUND WIRE COVER-(S10) | 1 pc |
| 19 | E27B6P2W0000 | ESZ60 COMP.WANBAO R600a-220/240V 50Hz-1 HP RSCR: | 1 pc |
| 20 | Z06AB03A0005 | RC 85/145 Series - ENGINE PLATE-(S10) | 1 pc |
| 21 | E26B20120040 | AC/DC ADAPTER MOD.D35V1200300 | 1 pc |
| 22 | E01A08004025 | WIRING BOX (Dim.80*mm40mm*25mm) | 1 pc |
| 23 | C06AB06A0003 | RC 85/145 Series - PROCESS PIPE-(S10) | 1 pc |
| 24 | E25EUB307530 | POWER CORD 3x0,75 mmq - EU PLUG - BLACK COLOR 3.0 Mt | 1 pc |
| 25 | P06AB03A0006 | RC 85/145 Series - THERMOSTAT KNOB-(S10) | 1 pc |
| 26 | P06AB03A0007 | RC 85/145 Series - THERMOSTAT BOX-(S10) | 1 pc |
| 27 | E20A001C1W10 | WPOK-EX - SERIES WPK THERMOSTAT | 1 pc |
| 28 | P06AB03A0008 | RC 85/145 Series-THERMOSTAT BOX COVER-(S10) | 1 pc |
| 29 | C06AB06A0001 | RC 85/145 Series - DRYING AND FILTERING DEVICES (Dim.9g) | 1 pc |
| 30 | I06AB08A0003 | RC 85/145 Series - WIRE CONDENSER-(S10) | 1 pc |
| 31 | R06AB08A0004 | RC 85/145 - SPACER FOR WIRE CONDENSER-(S10) | 1 pc |