

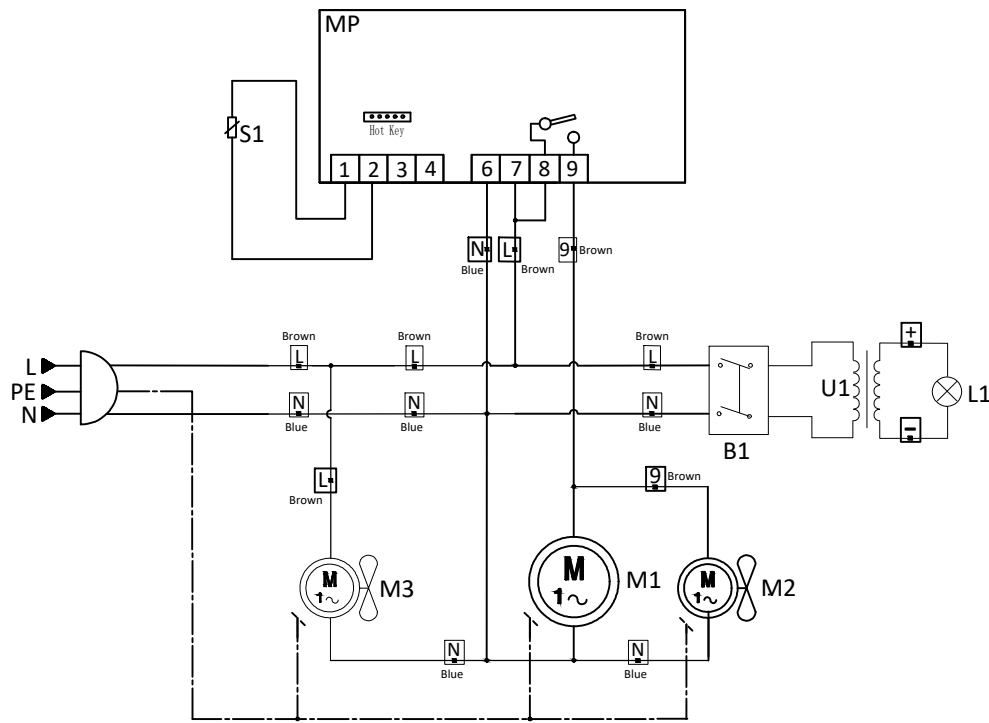
SCHALTPLAN



KBS Gastrotechnik GmbH – Schoßbergstraße 26 – 65201 Wiesbaden

LEGENDA

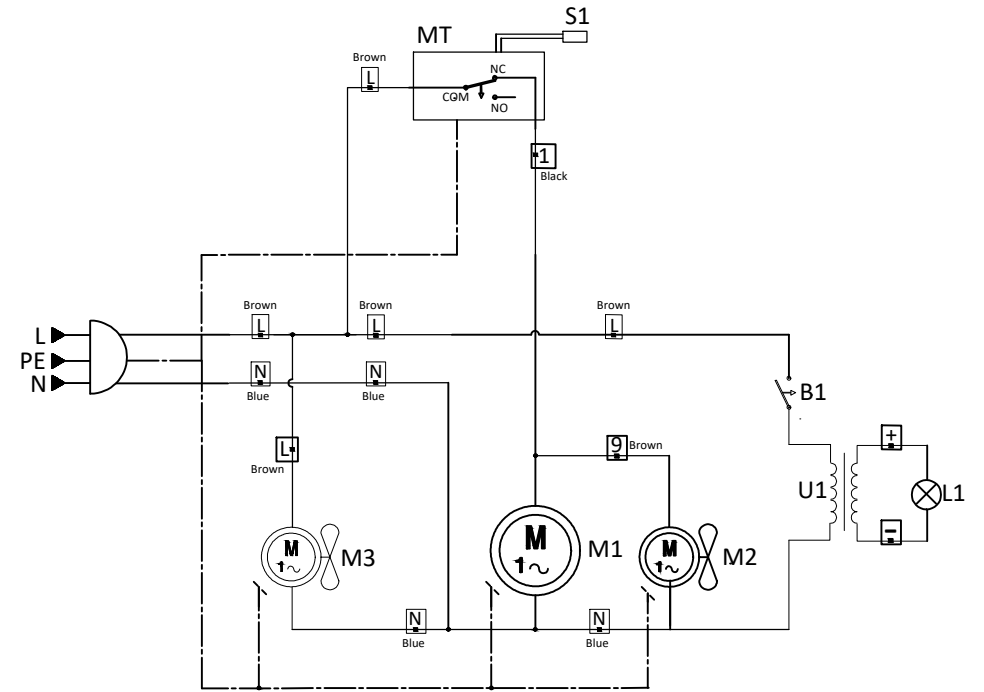
- B1: INTERUTTOE LUCE INTERNA
- M1: COMPRESSORE
- M2: VENTILATORE CONDENSATORE
- M3: VENTILATORE CELLA
- MP: TERMOREGOLATORE DIGITALE
- MT: TERMOREGOLATORE MECCANICO
- S1: SONDA CAMERA
- L1: LUCE INTERNA



"Digital controller"

LEGEND

- B1: INNER LIGHT SWITCH
- M1: COMPRESSOR
- M2: CONDENSER FAN
- M3: STORAGE COMPARTMENT FAN
- MP: DIGITAL THERMOREGULATOR
- MT: MECHANICAL THERMOREGULATOR
- S1: ROOM PROBE
- L1: INNER LIGHT



"Mechanical controller"