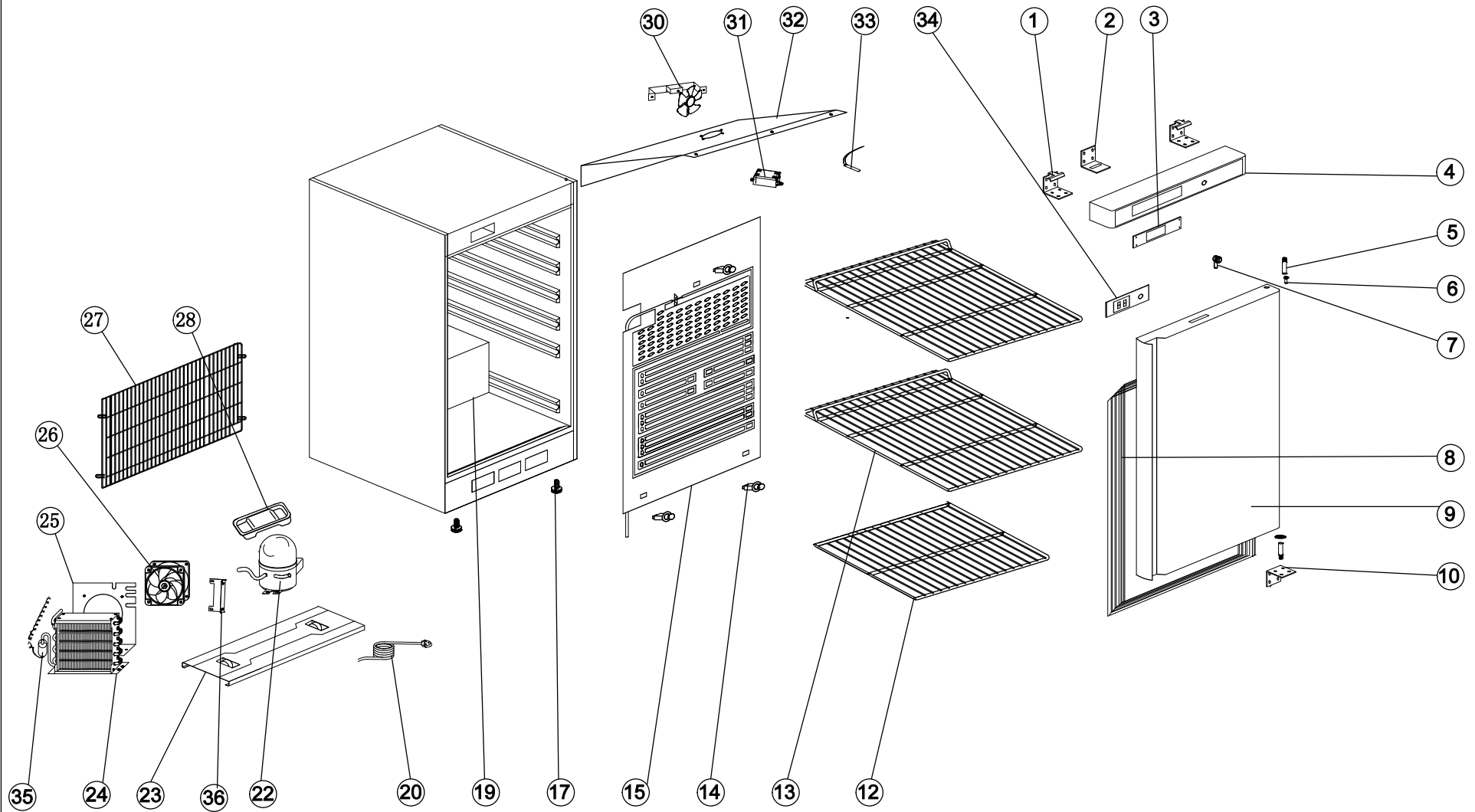


EXPLOSIONSZEICHNUNG



KBS Gastrotechnik GmbH – Schoßbergstraße 26 – 65201 Wiesbaden

EXPLODE OF G-HR200



SPARE PARTS LIST - KBS 202 U

NO	CODE	NAME	NEW CODE	QTY
1	HF600.01	UP HINGE	110110036	2PCS
2	HF600.02	HOOK OF LOCK	110110044	1PC
3	HF600.09A	THERMOSTAT SUPPORT	108130004	1PC
4	HF200.01B	FRONT PANEL	108130012	1PC
5	HF600.19	HINGE AXIS	107110010	2PCS
6	GN2100TN.0 7	BUSHING	108300029	2PCS
7	HR200.86	LOCK	107130008	1PC
8	HF200.03	GASKET	108270285	1PC
9	HF200.04	DOOR	5107000350	1PC
10	HF600.08	DOWN HINGE	110110049	1PC
12	HR400.05B	BOTTOM SHELF	109020103	1PC
13	HR400.05A	SHELF	109020102	2PCS
14	HR600.06	EVAPORATOR FIXER	108300130	3PCS
15	HR200.04	EVAPORATOR	113040019	1PC
17	S900.13	FEET	108300183	2PCS
19	HR200.05	BODY	5102000539	1PC
20	S900.47	PLUG	104050031	1PC
22	G-VRX.01	COMPRESSOR	104010135	1PC
23	HF400.08	UNITE BOARD	5202001648	1PC
		WHEEL	108300144	2PCS
		WHEELSPINDLE	107110009	2PCS
24	HR110.06	CONDENSER	113020067	1PC
25	HR200.99	CONDENSER FAN SUPPORT	5202001650	1PC
26	HR200.34	CONDENSER FAN	104030040	1PC
27	HF400.10	UNITE ROOM GRILLS	109040026	1PC
28	S900.40A	WATER BOX	104010160	1PC
30	HR200.10	CIRCUIT FAN	104030051	1PC
31	S900.31	SENSOR FIXED BOX	108110314	1PC
32	HR400.02	CIRCUIT FAN SUPPORT	5202001647	1PC
33	S900.32	SENSOR JST	104020097	1PC
33	S900.32	SENSOR PROBE	104020099	1PC
34	S900.02	THERMOSTAT	104020086	1PC
35	HR200.20	FILTER DRIER	107180011	1PC
36		FAN SUPPORT	5202001651	1PC