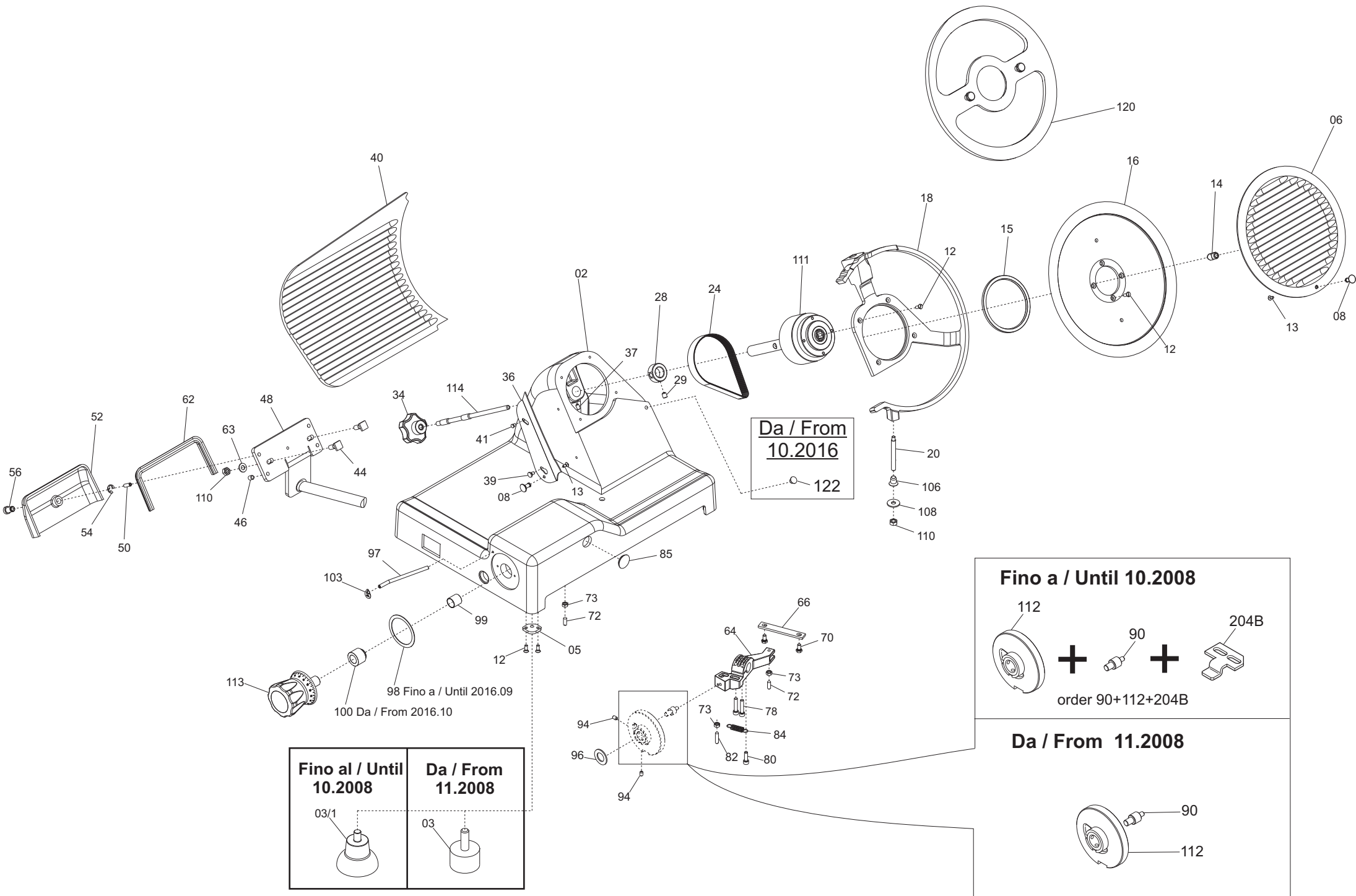


# EXPLOSIONSZEICHNUNG

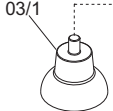
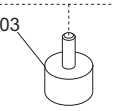


KBS Gastrotechnik GmbH – Schoßbergstraße 26 – 65201 Wiesbaden

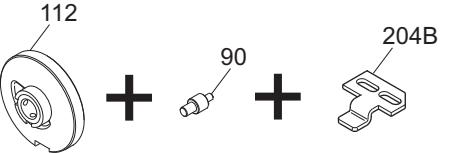


**Da / From**  
**10.2016**

122

<p><b>Fino al / Until</b> <b>10.2008</b></p>	<p><b>Da / From</b> <b>11.2008</b></p>
 <p>03/1</p>	 <p>03</p>

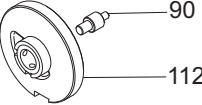
**Fino a / Until 10.2008**



112 + 90 + 204B

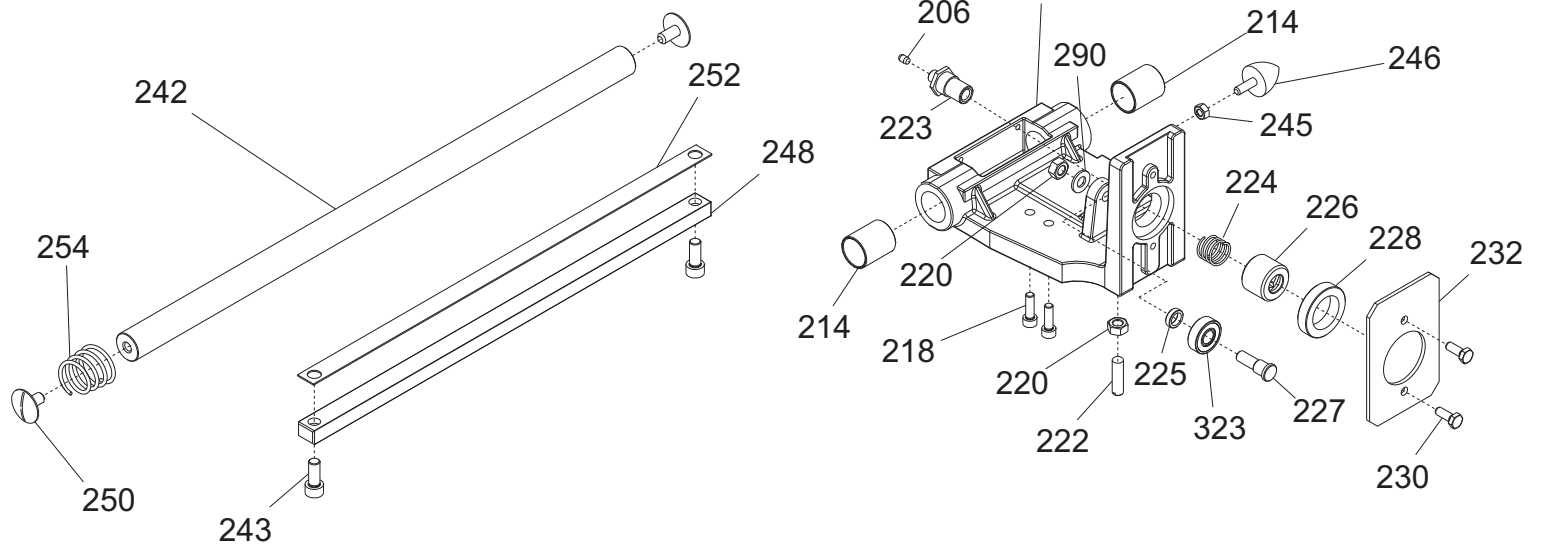
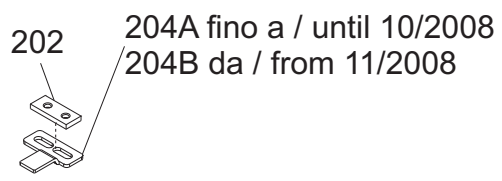
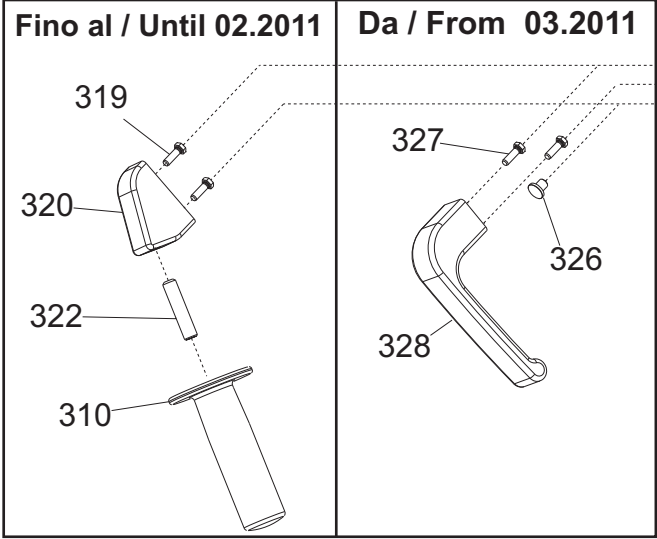
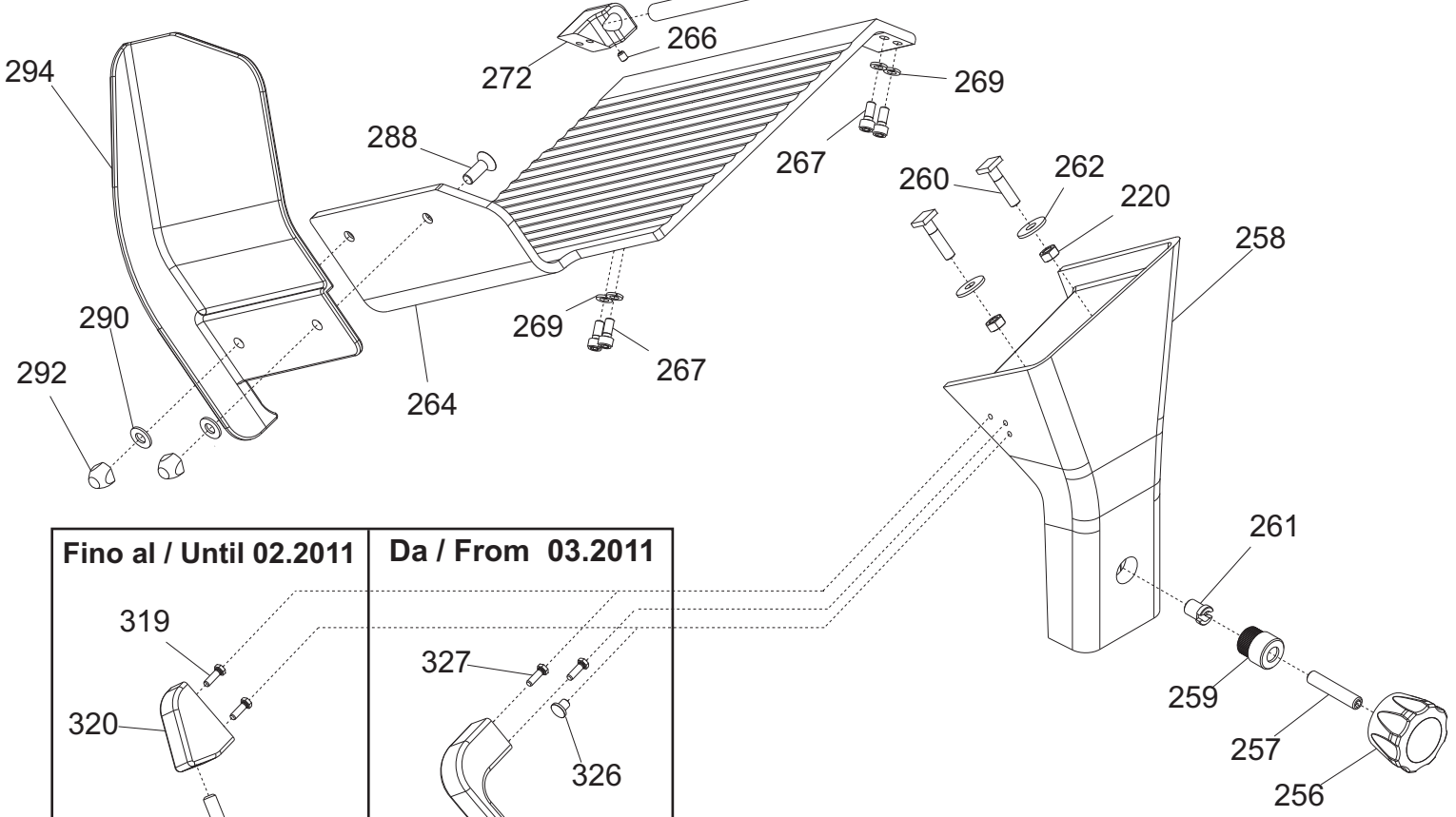
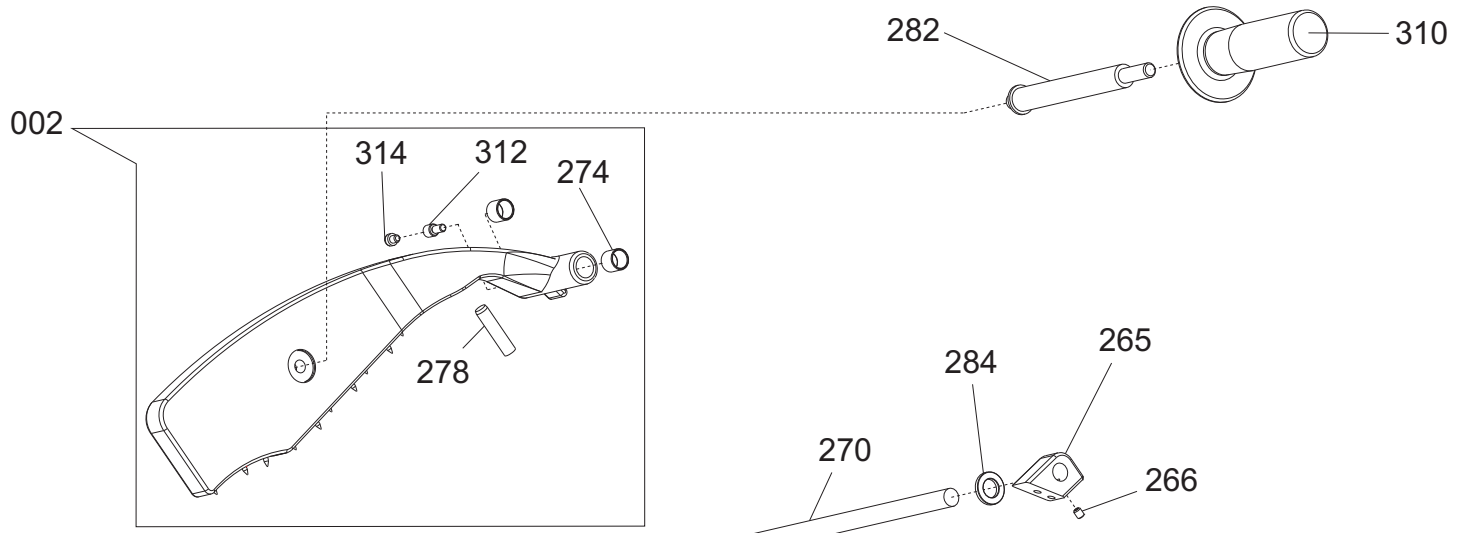
order 90+112+204B

**Da / From 11.2008**

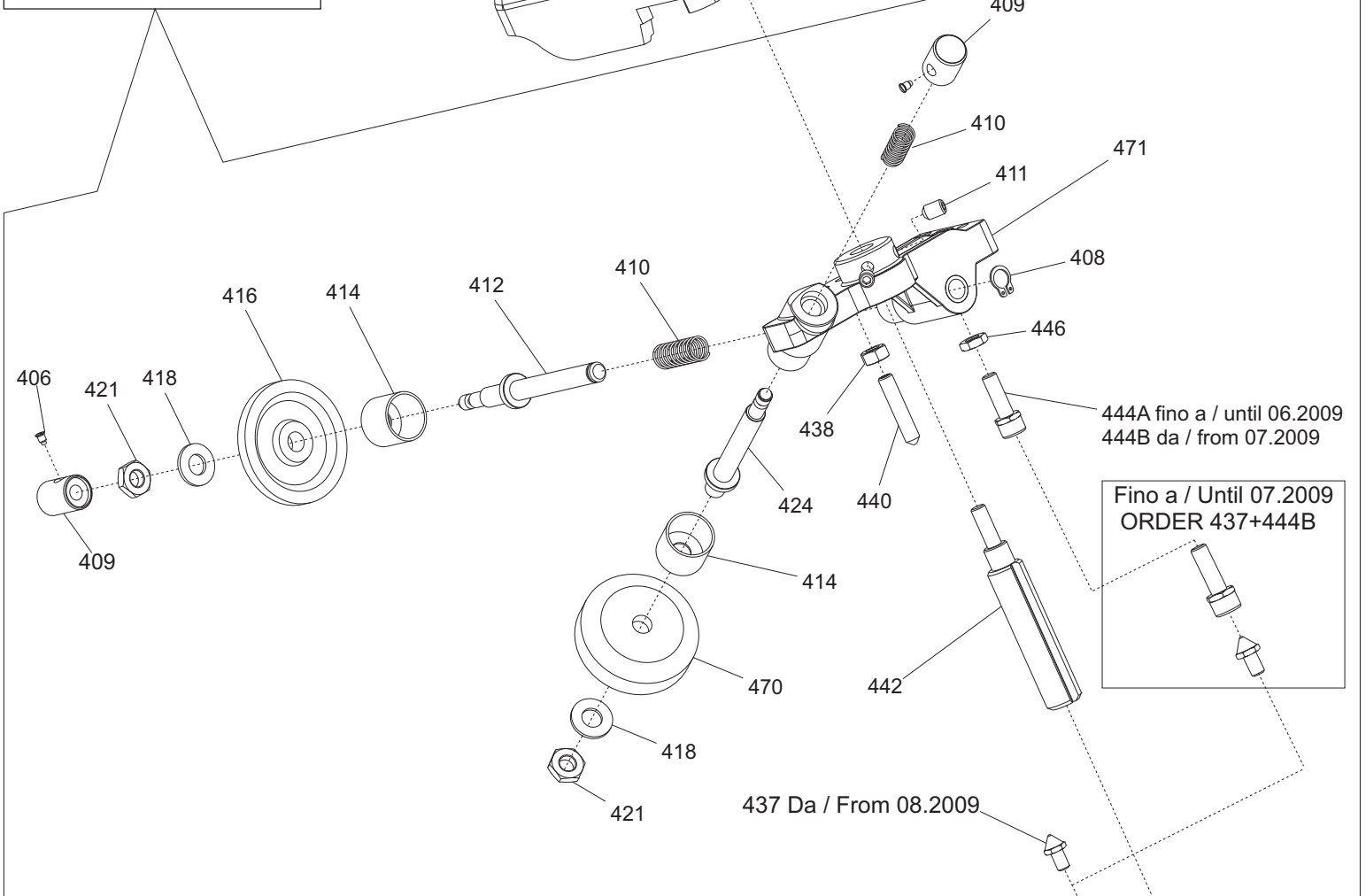
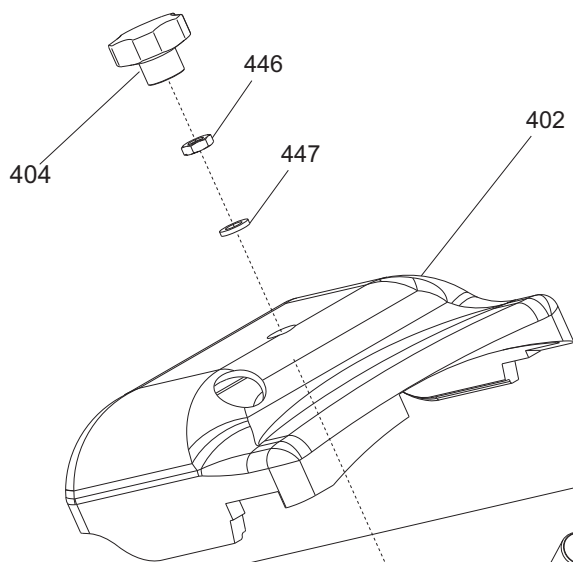


90 + 112

98 Fino a / Until 2016.09  
100 Da / From 2016.10



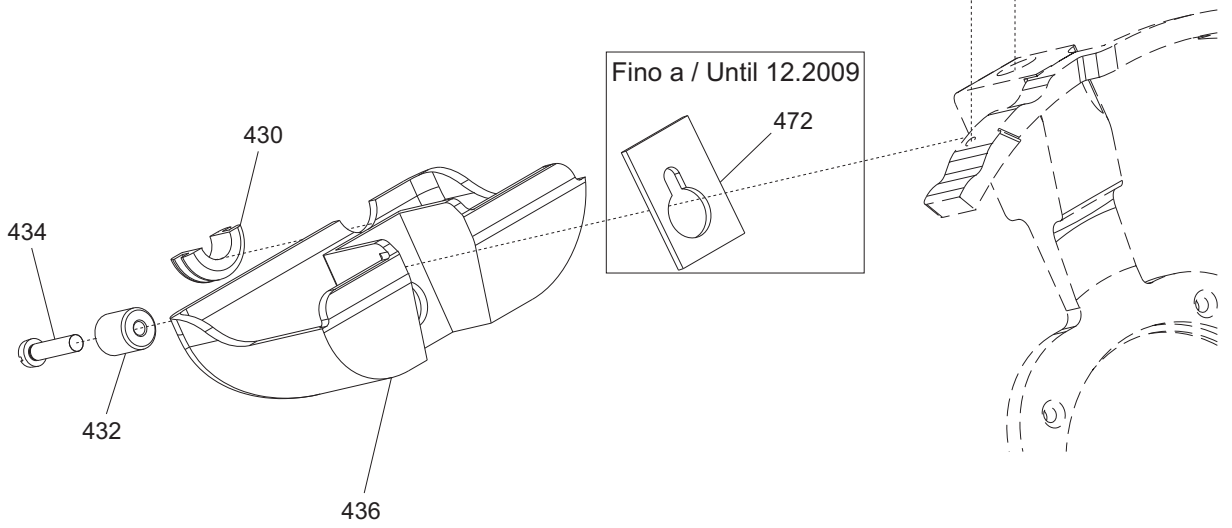
AC



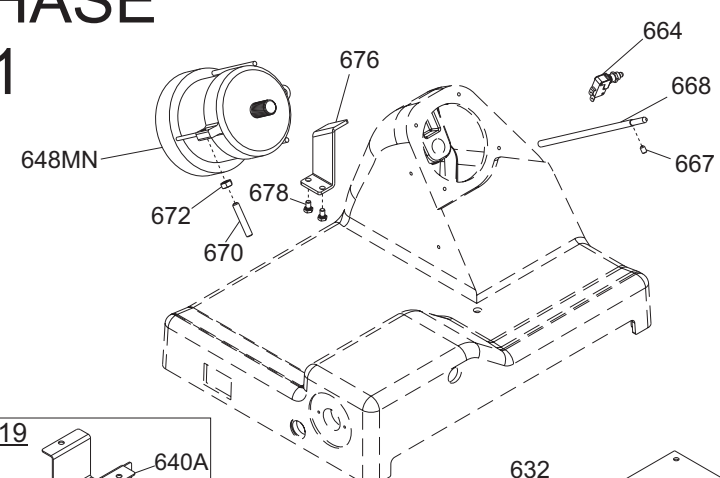
Fino a / Until 07.2009  
ORDER 437+444B

Fino a / Until 12.2009

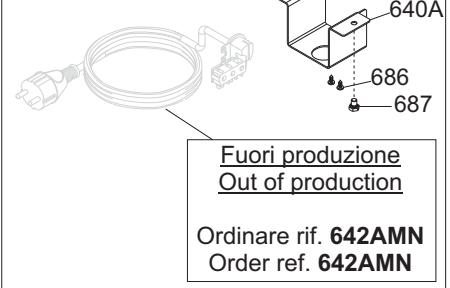
472



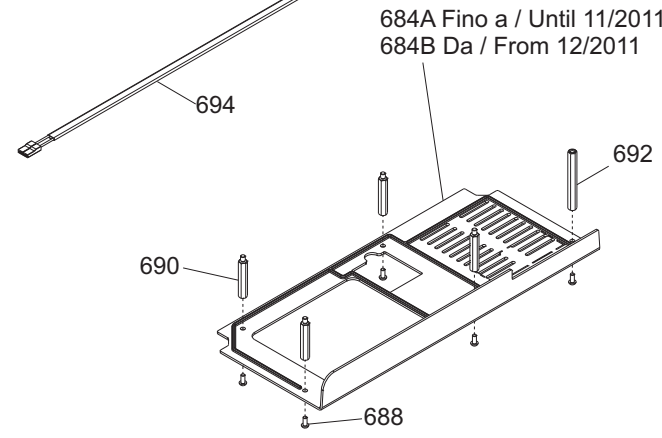
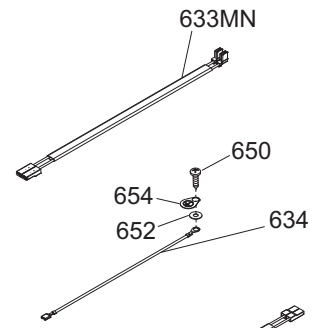
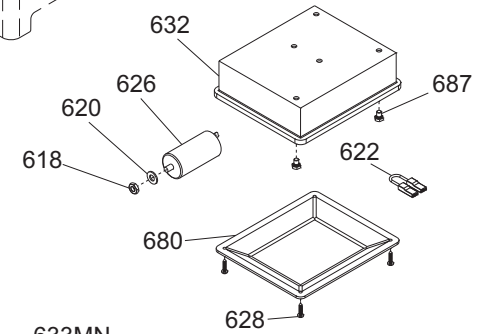
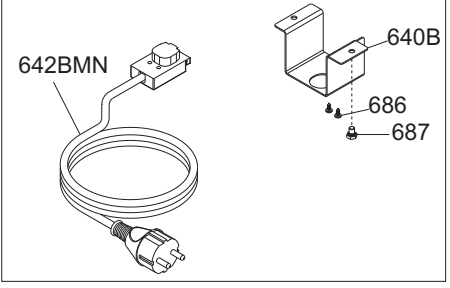
# Ver. 1-PHASE 230/50/1



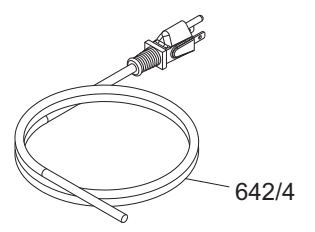
Fino a / Until 02.2019



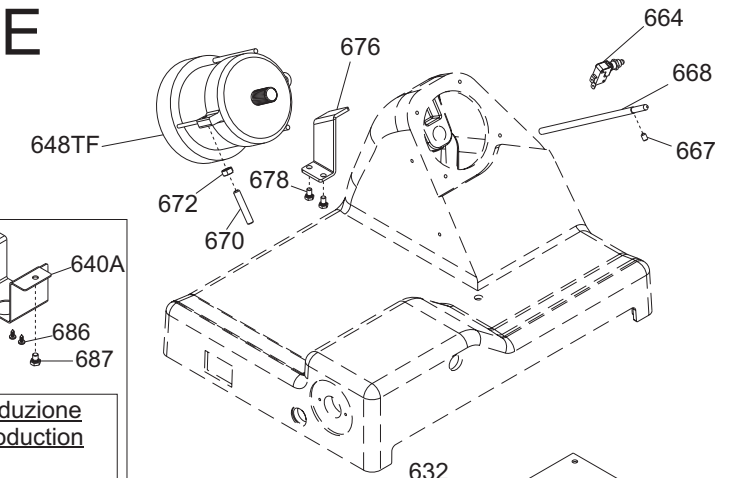
Da / From 03.2019



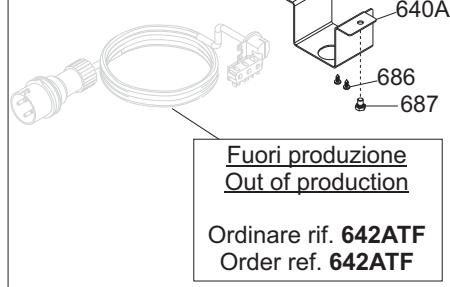
# Ver. 240/50



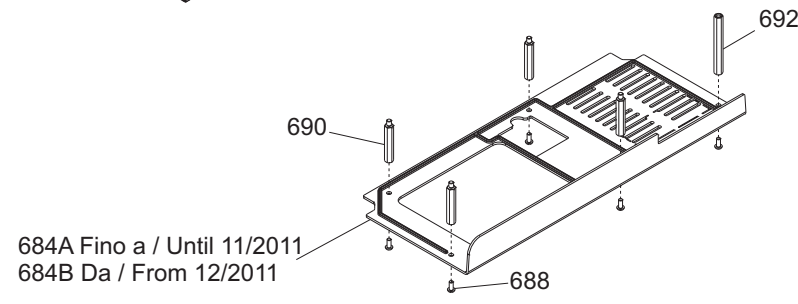
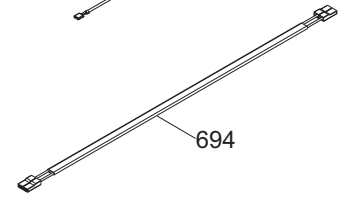
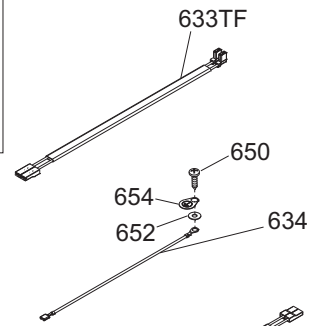
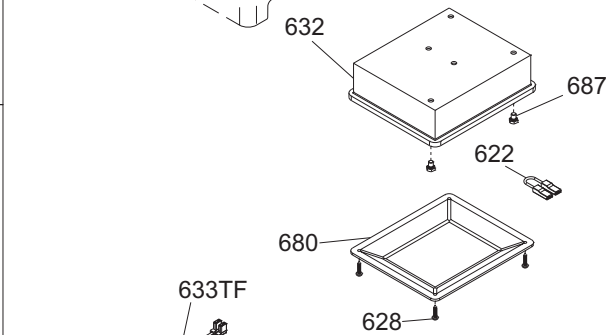
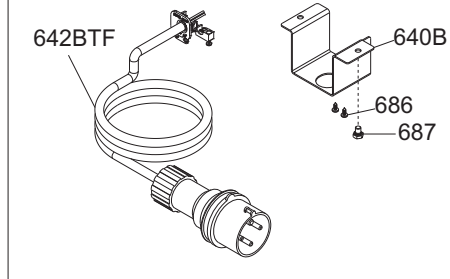
# Ver. 3-PHASE 400/50/3



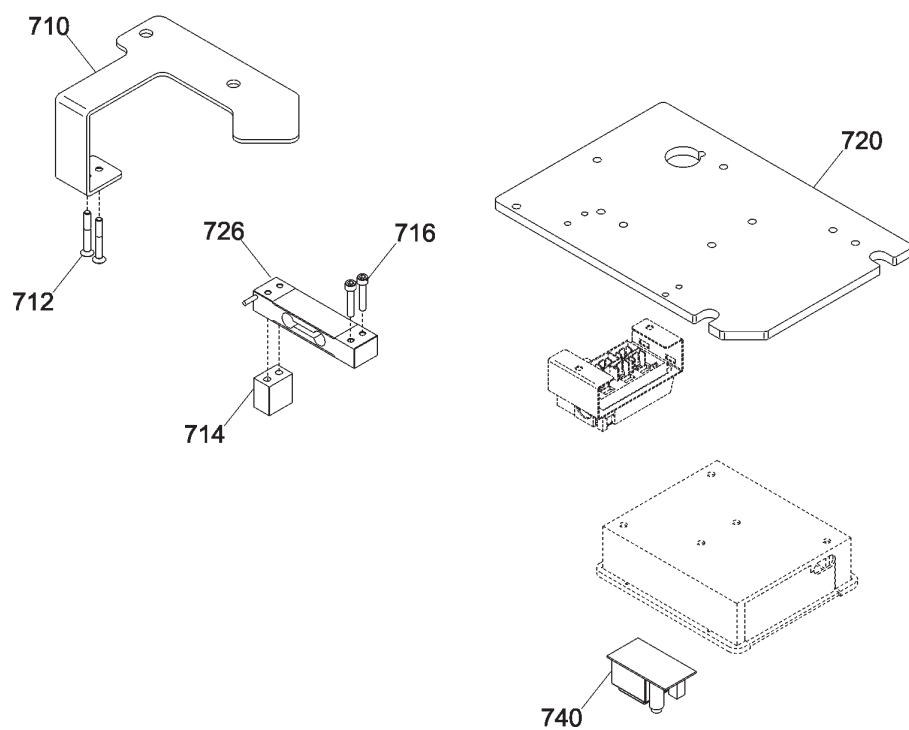
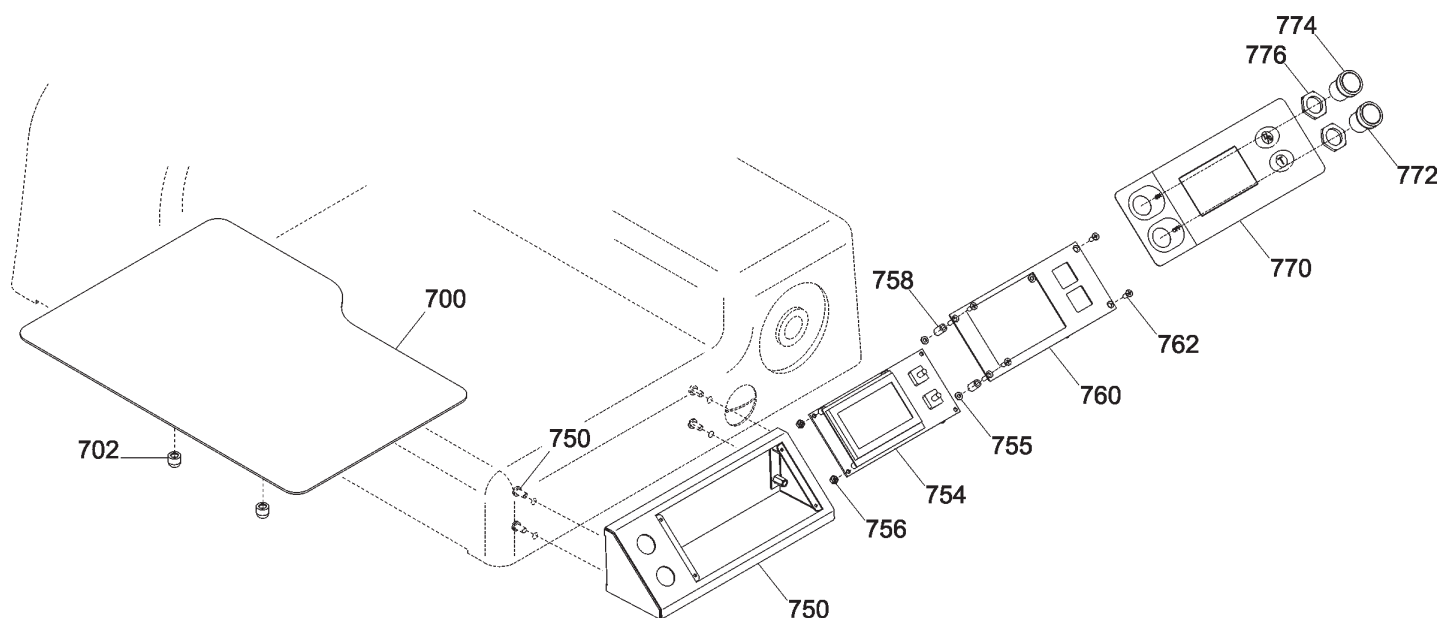
Fino a / Until 02.2019

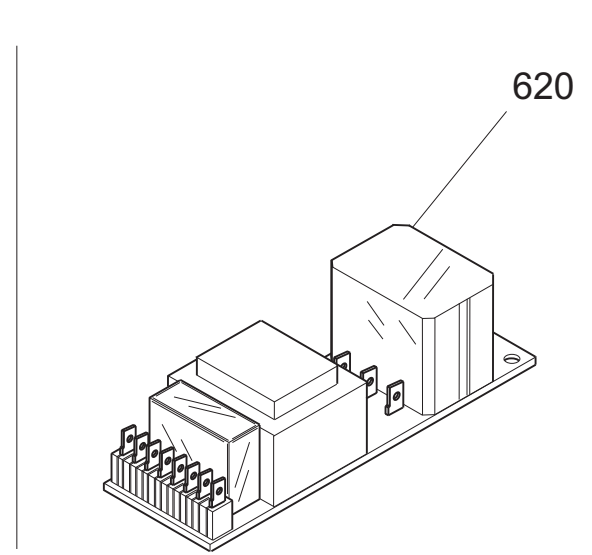
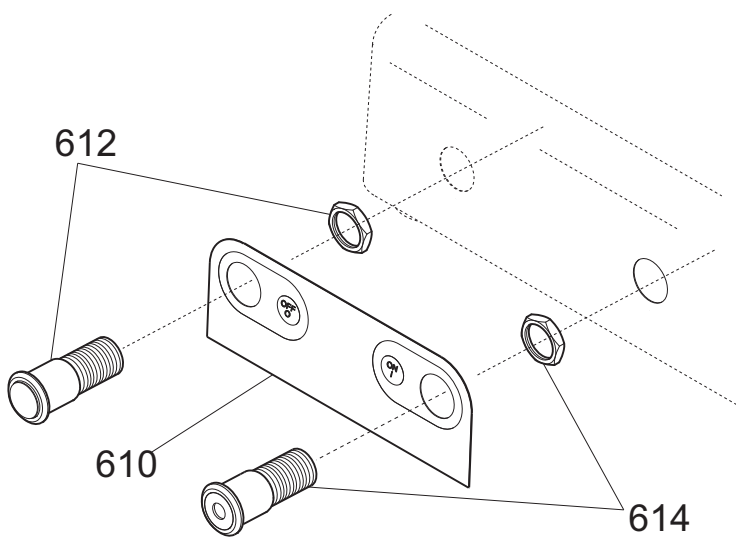


Da / From 03.2019

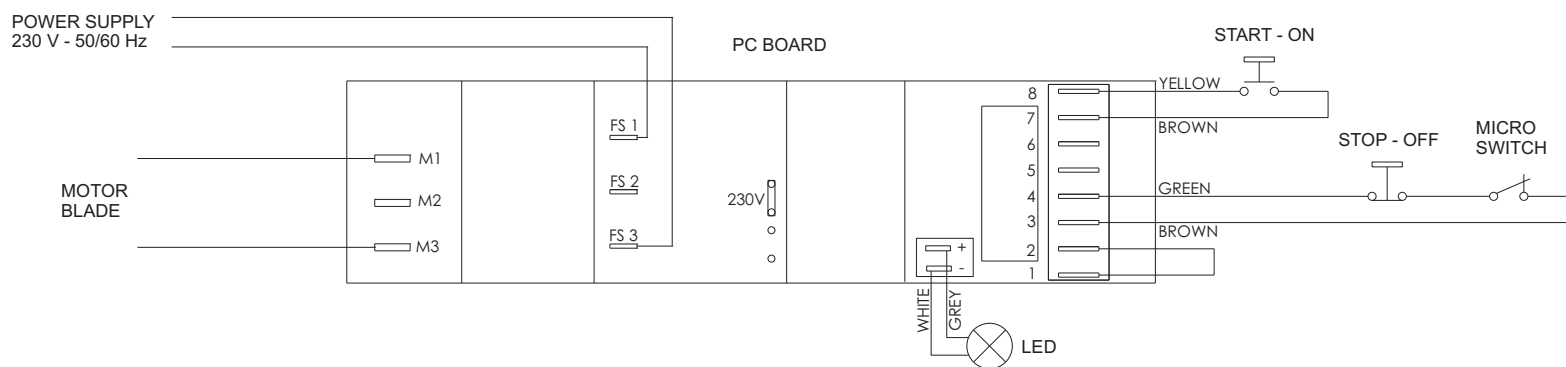


# Applicazione bilancia / Scale application

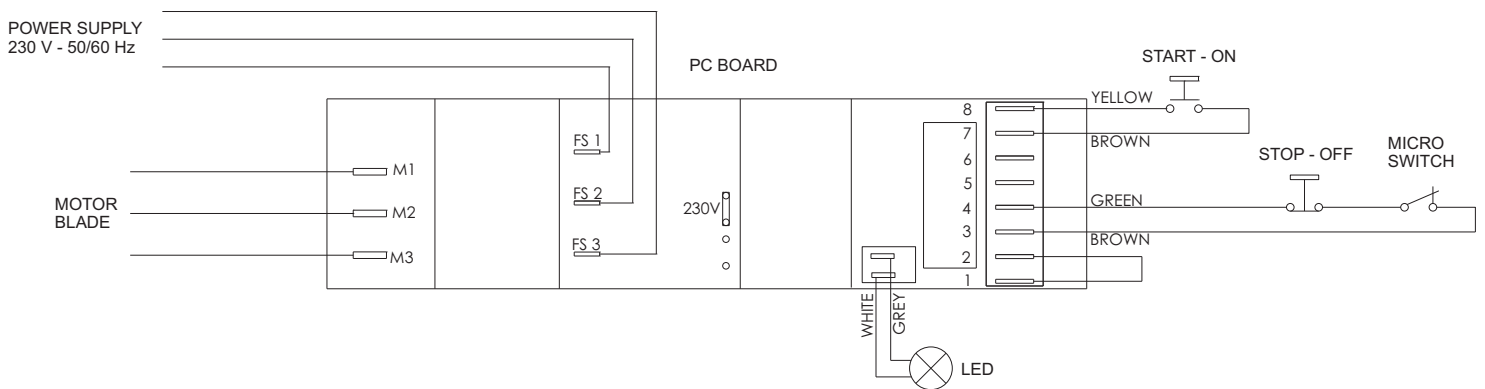




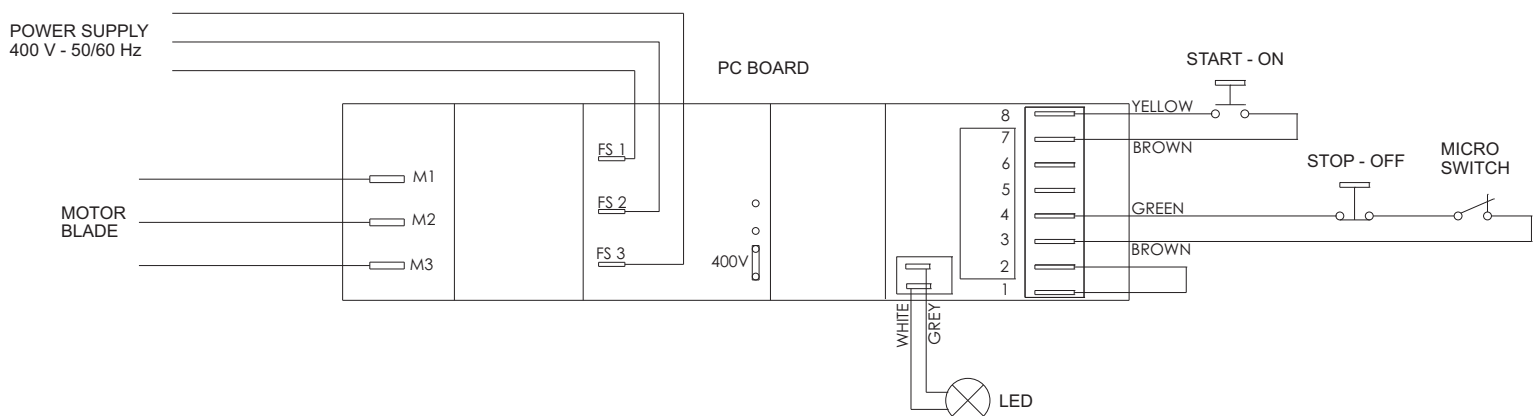
## SCHEMA ELETTRICO MONOFASE 230V / 230V SINGLE-PHASE WIRING DIAGRAM

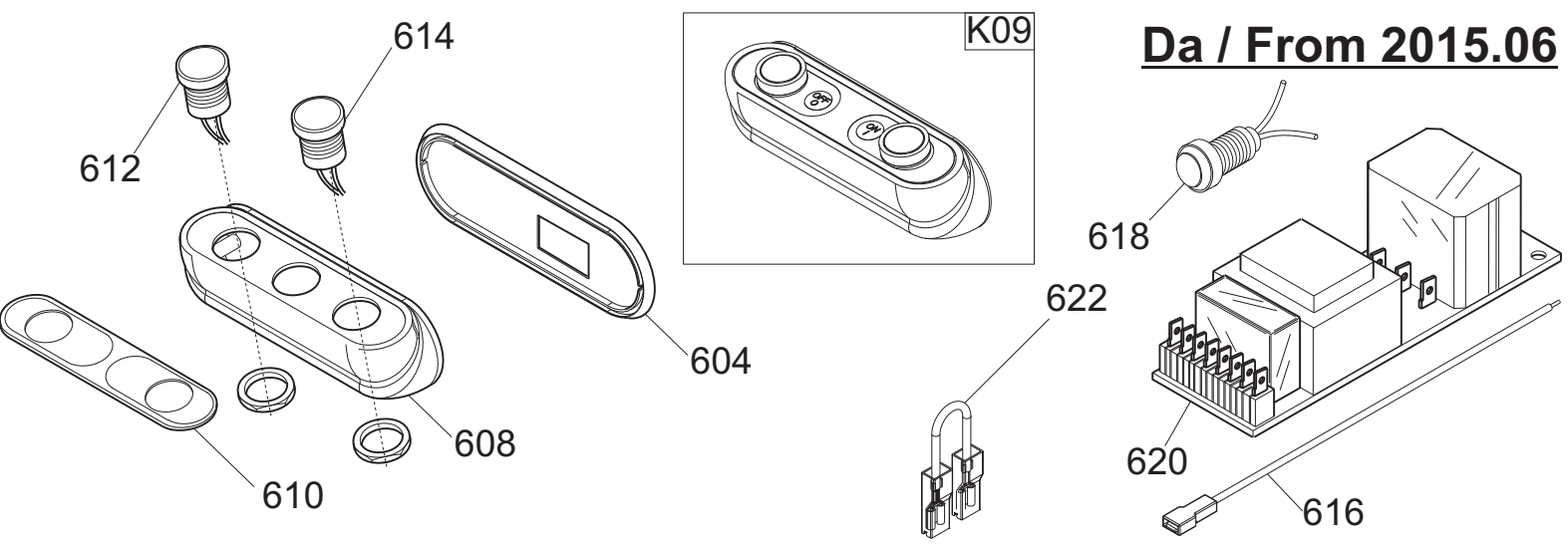


## SCHEMA ELETTRICO TRIFASE 230V / 230V THREE-PHASE WIRING DIAGRAM

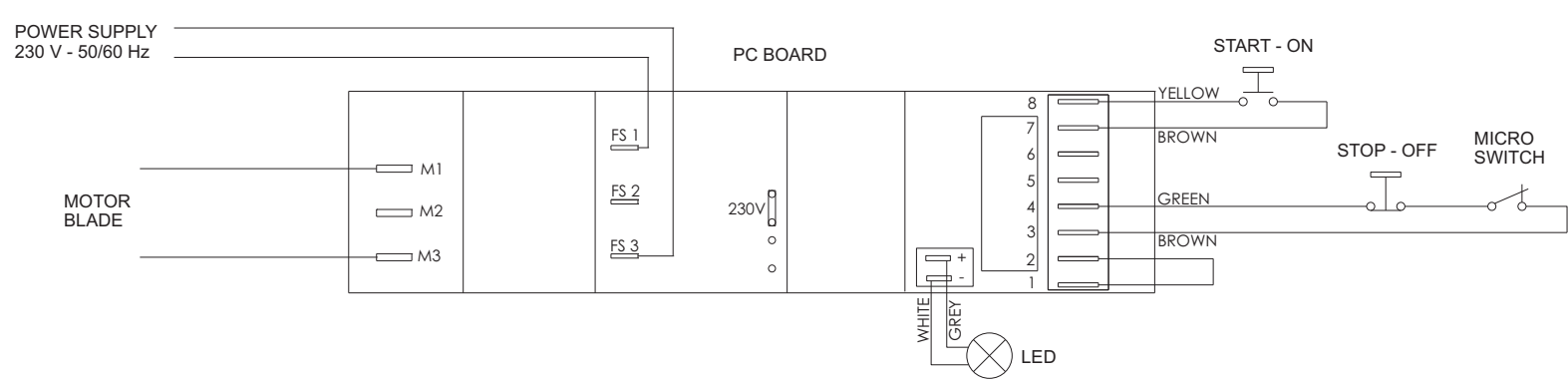


## SCHEMA ELETTRICO TRIFASE 400V / 400V THREE-PHASE WIRING DIAGRAM

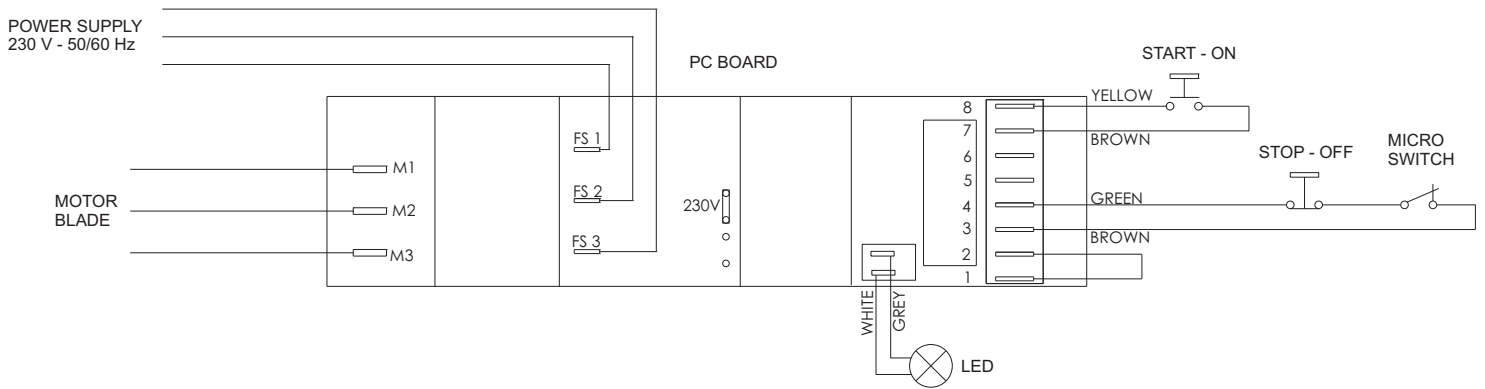




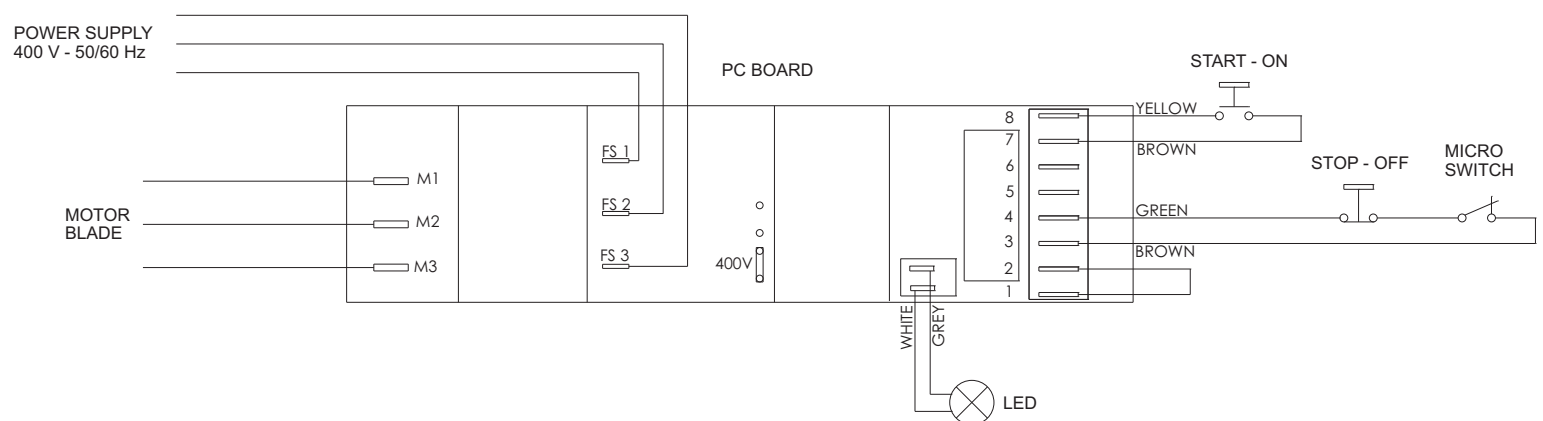
**SCHEMA ELETTRICO MONOFASE 230V / 230V SINGLE-PHASE WIRING DIAGRAM**



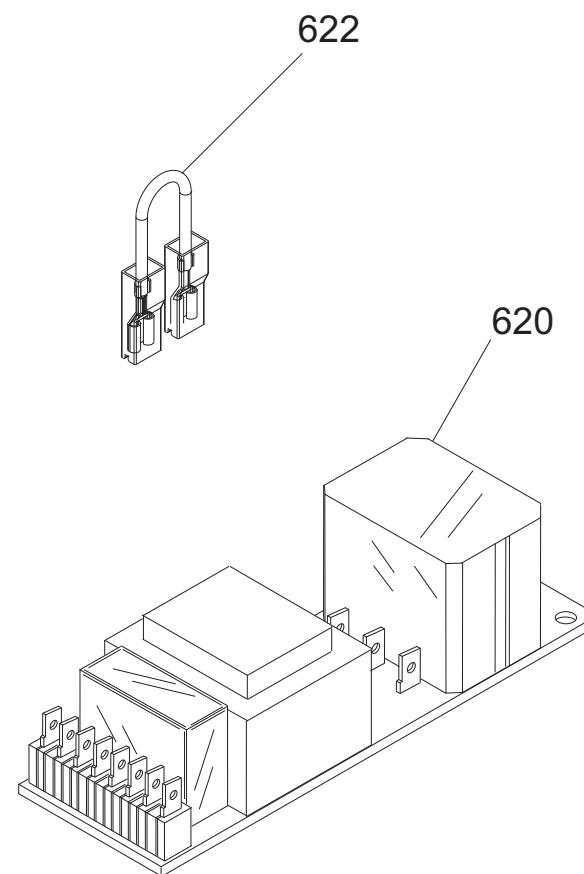
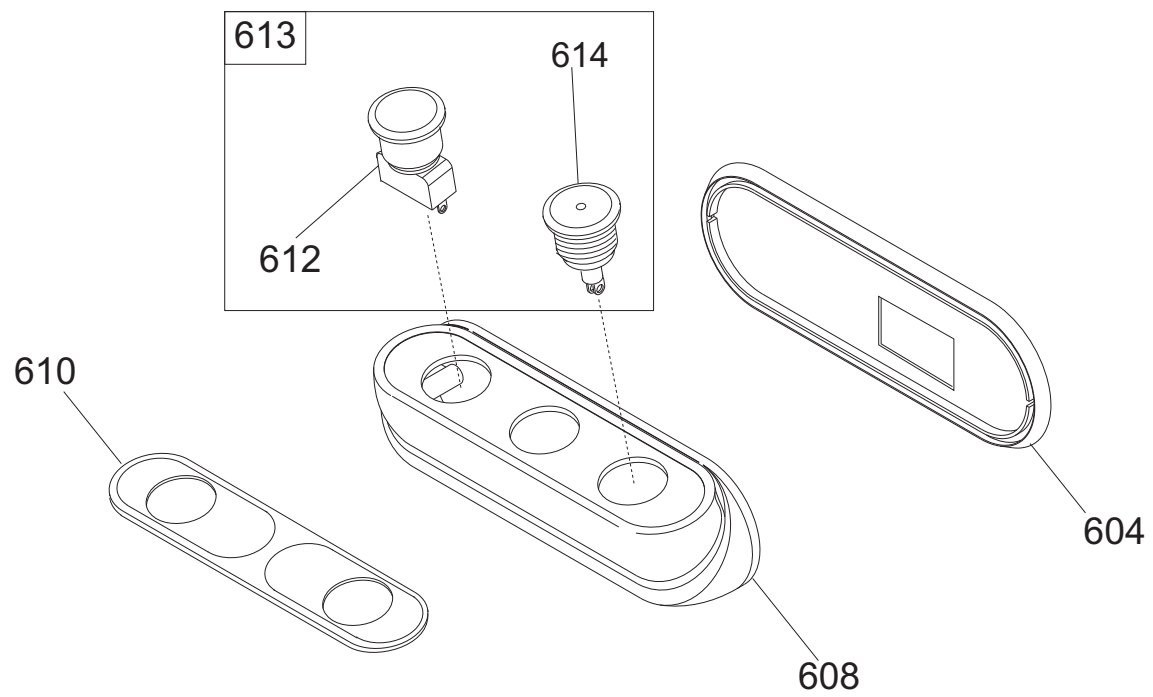
**SCHEMA ELETTRICO TRIFASE 230V / 230V THREE-PHASE WIRING DIAGRAM**

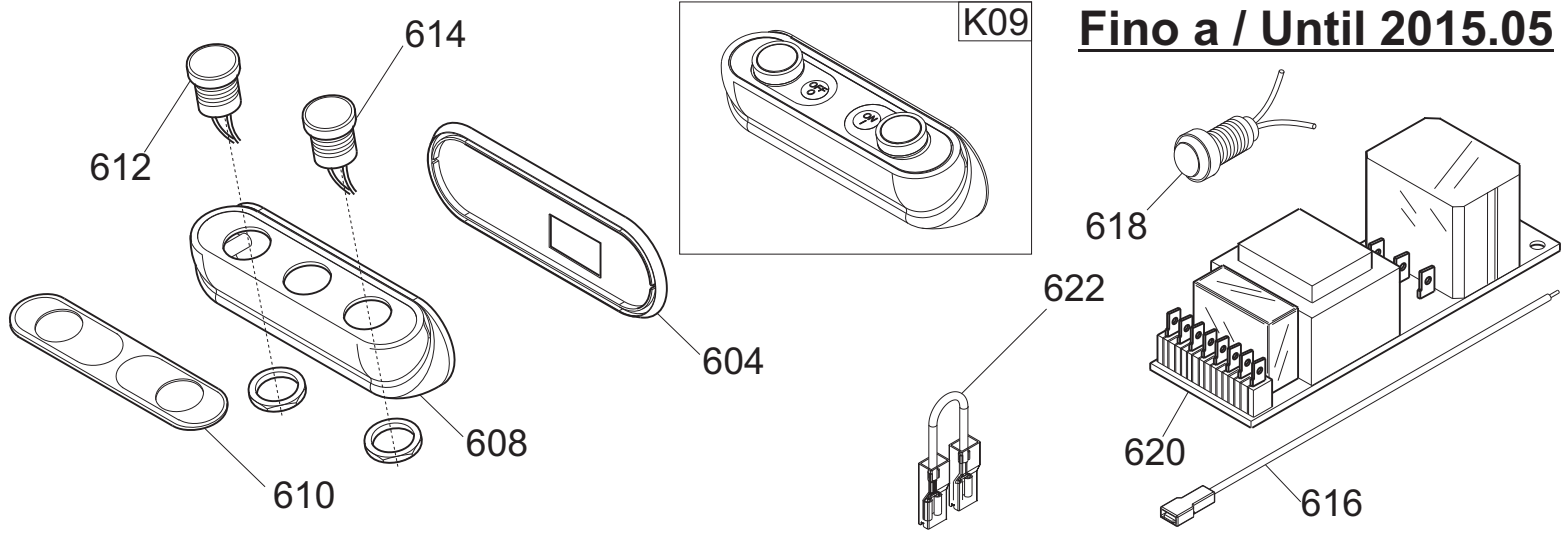


**SCHEMA ELETTRICO TRIFASE 400V / 400V THREE-PHASE WIRING DIAGRAM**

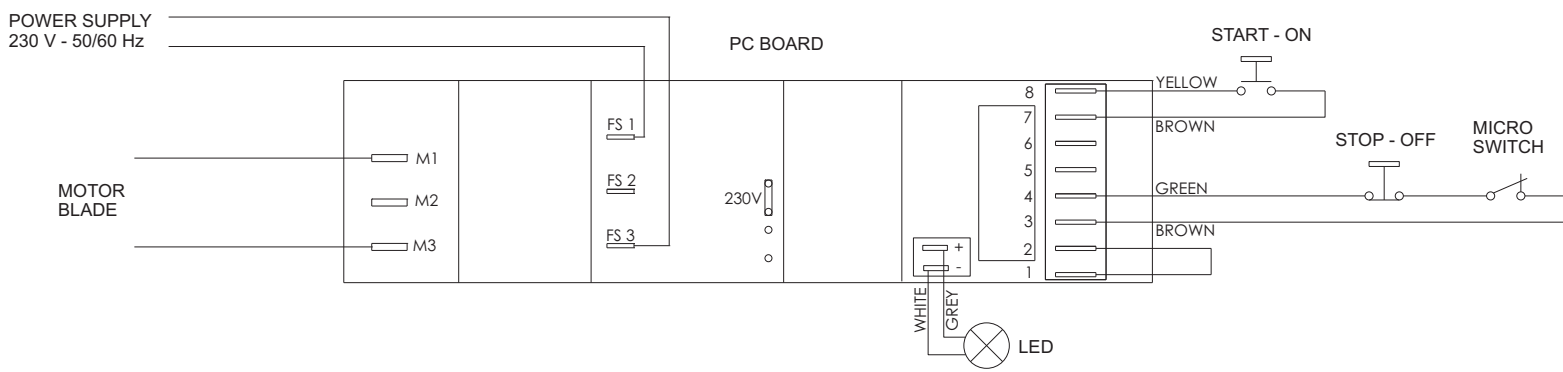




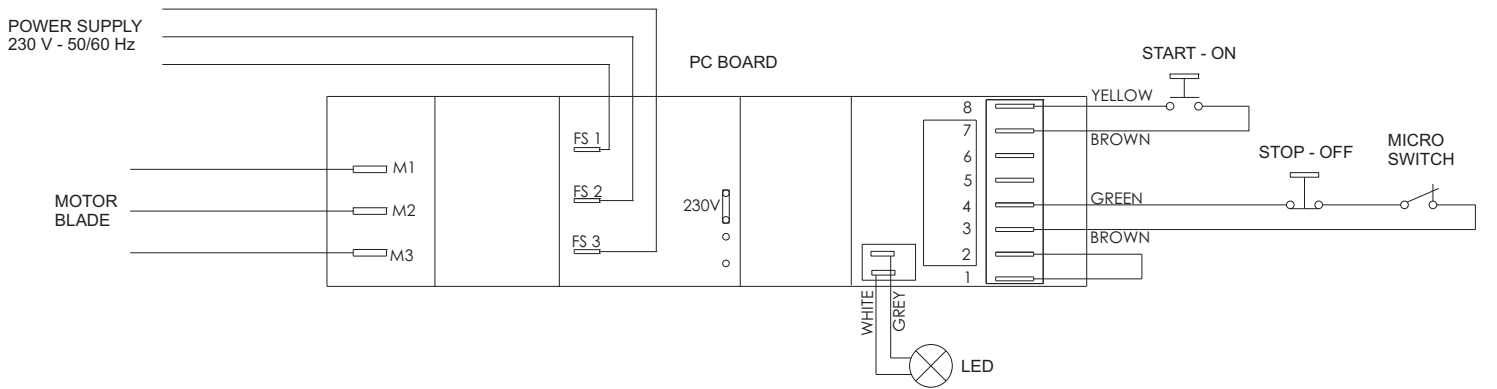




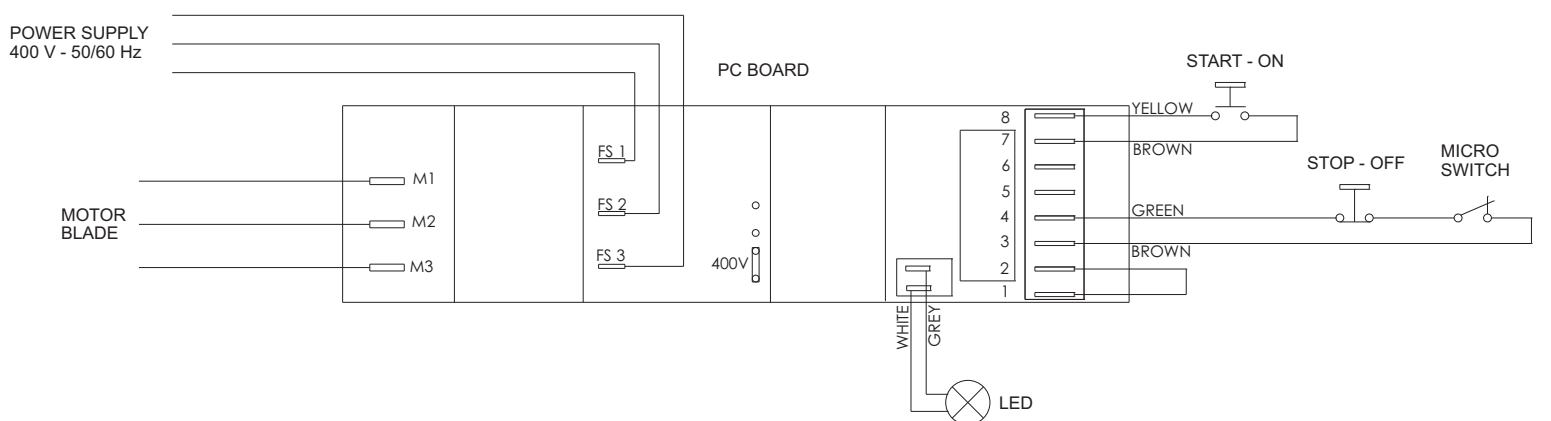
**SCHEMA ELETTRICO MONOFASE 230V / 230V SINGLE-PHASE WIRING DIAGRAM**

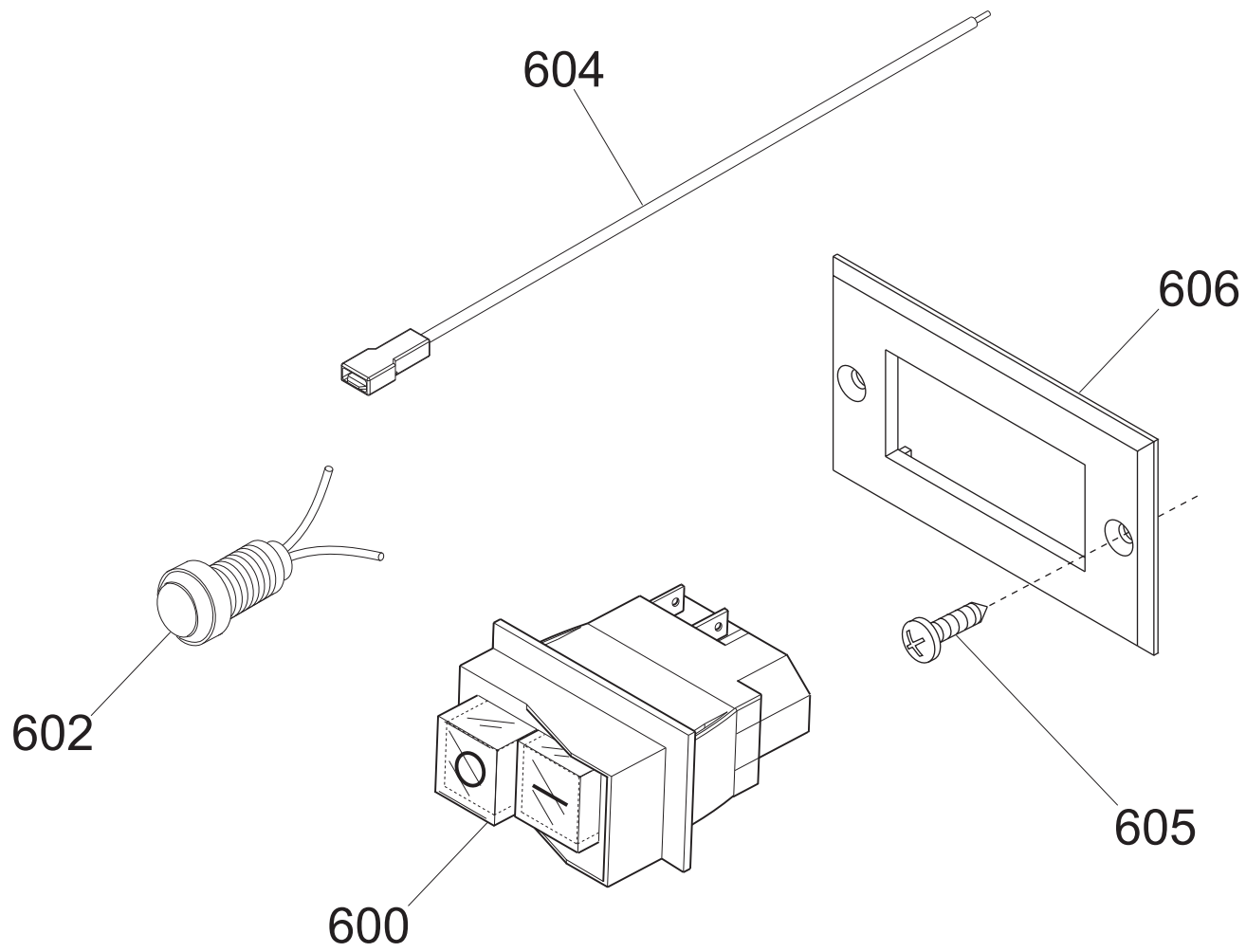


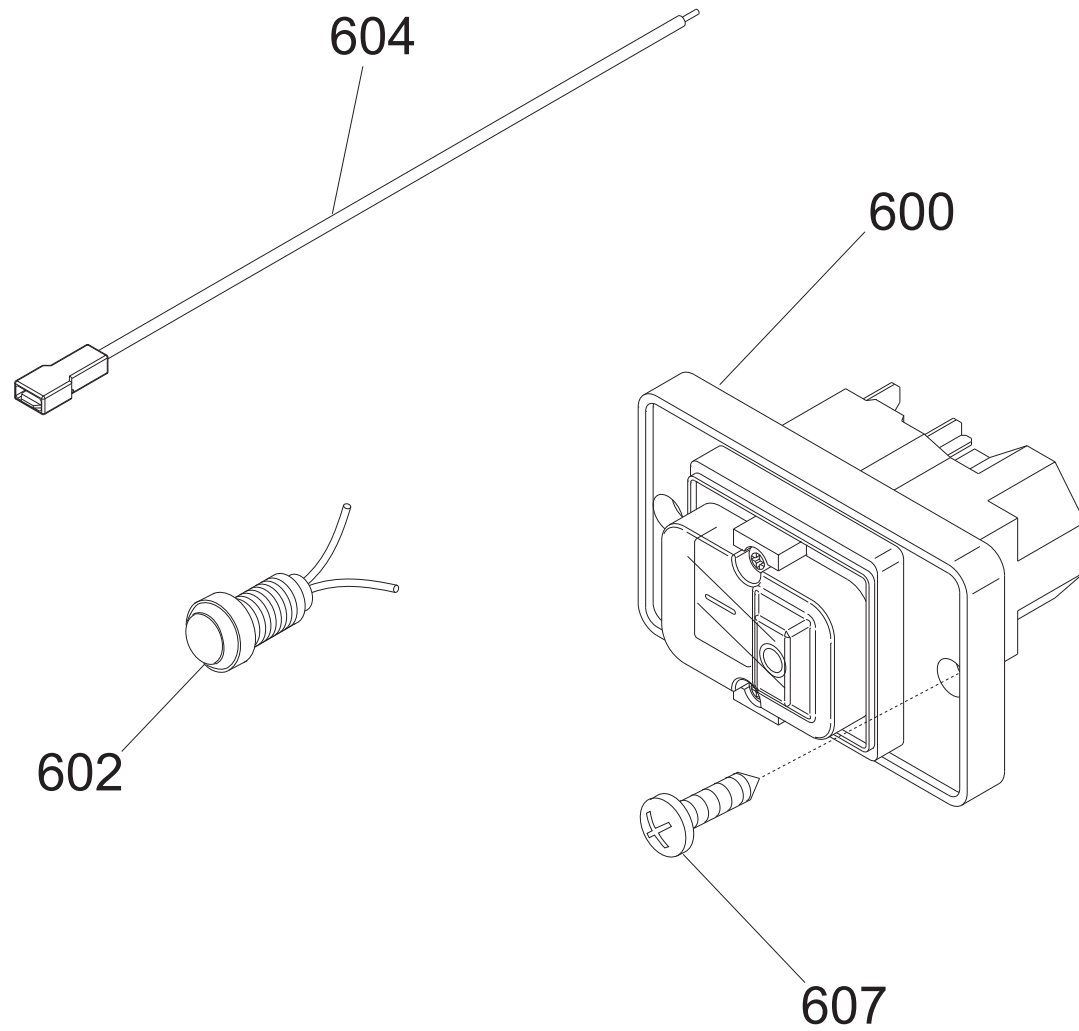
**SCHEMA ELETTRICO TRIFASE 230V / 230V THREE-PHASE WIRING DIAGRAM**



**SCHEMA ELETTRICO TRIFASE 400V / 400V THREE-PHASE WIRING DIAGRAM**





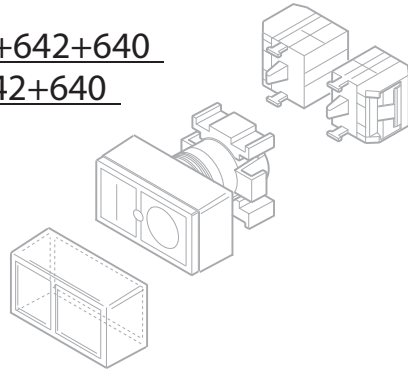


Fino a / Until 2005

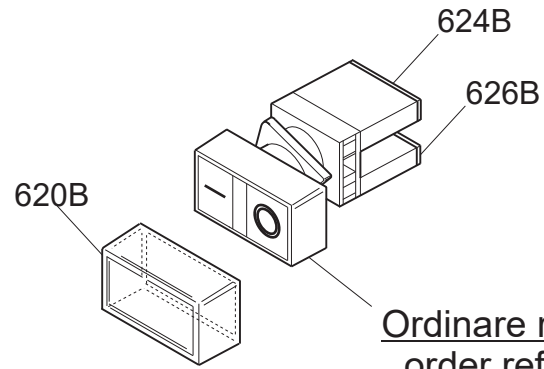
Fuori produzione/Out of production

Ordinare Rif. 644+642+640

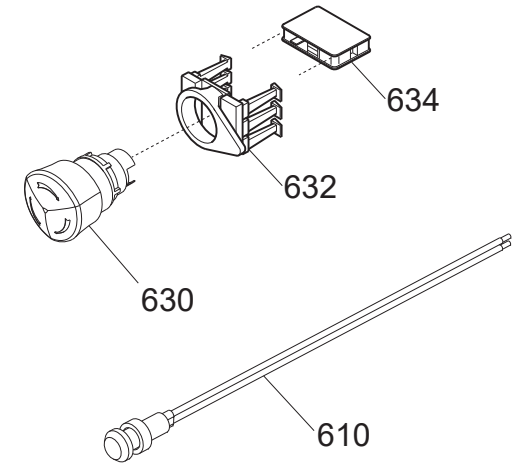
Order Ref. 644+642+640



Da / From 2006

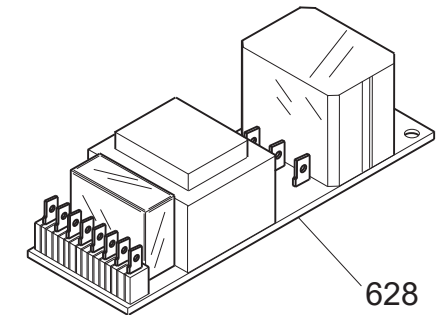
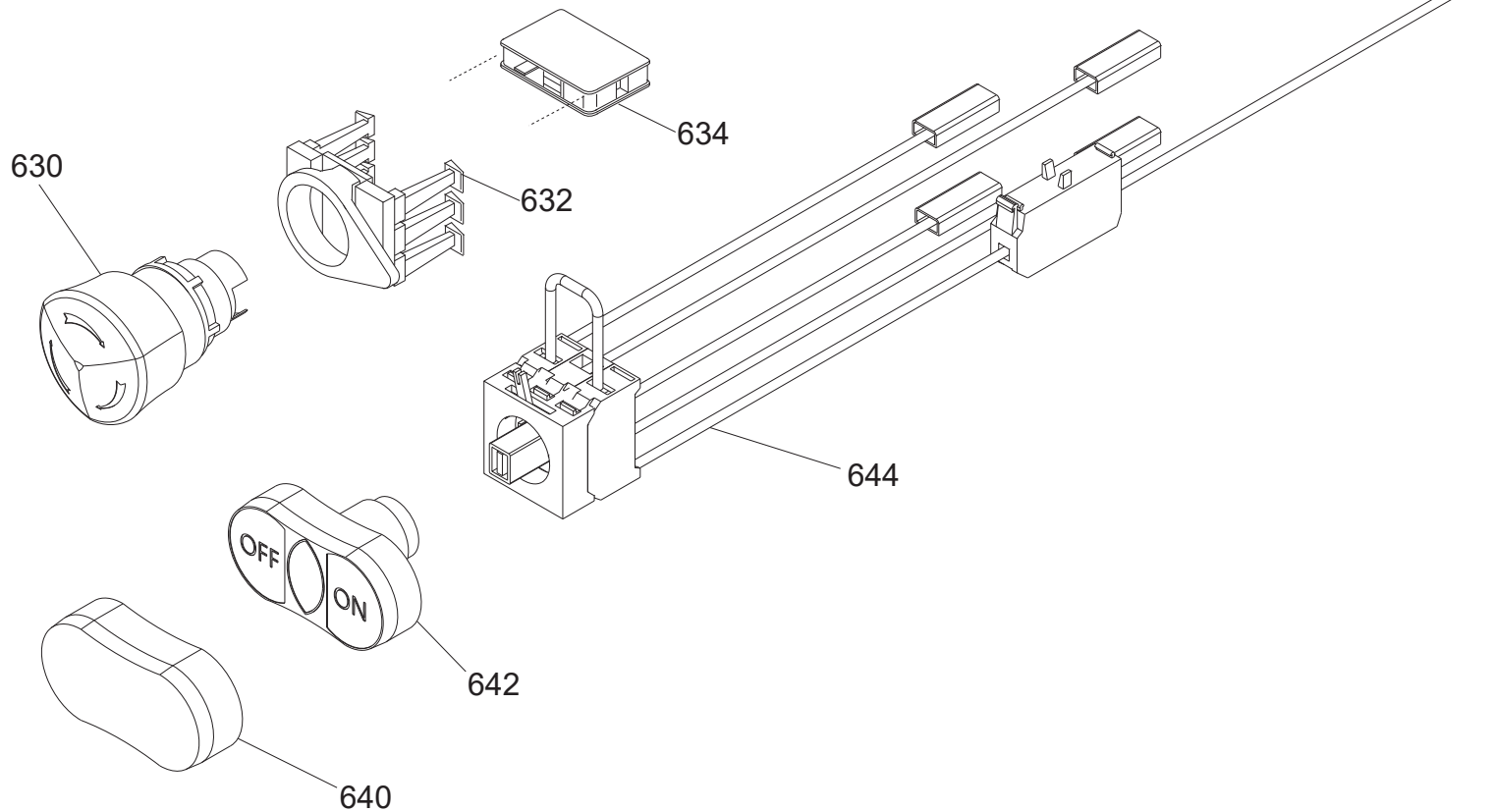


Ordinare rif. 642+644  
order ref. 642+644



From 2018.06

600



# Applicazione bilancia / Scale application

