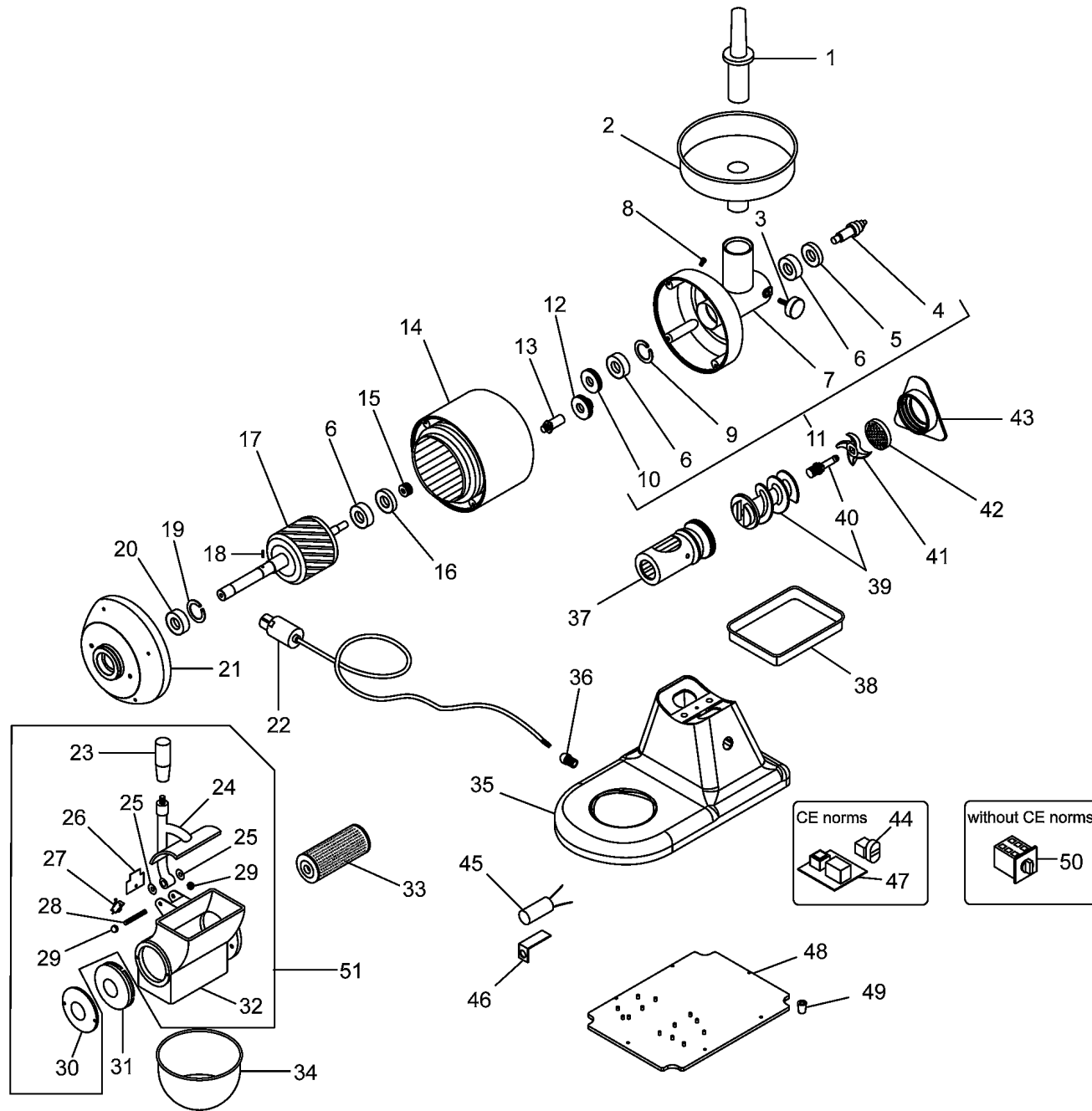


EXPLOSIONSZEICHNUNG



KBS Gastrotechnik GmbH – Schoßbergstraße 26 – 65201 Wiesbaden



POS. CODE

	SA1106
1	SL4069
2	SL0135
2	SL0136
3	SL0138
4	SL0140
5	SL0139
6	SL0131
7	SL3980
8	SL2917
9	SL0132
10	SL0130
11	SA3710
12	SL0125
13	SL0124
14	SA1014
14	SA1015
15	SL0128
16	SL0127
18	SL0121
19	SL0119
20	SL0118
21	SL0117
22	SL1671
22	SL1841
23	SL0106
24	SA1113
24	SA1119
25	SL3140
26	SL3138
27	SL0885
28	SL0258
29	3114560
30	SL2833
31	SL2573
32	SA1012
33	SA2800
34	SL0174
34	SL0175
35	SL0179

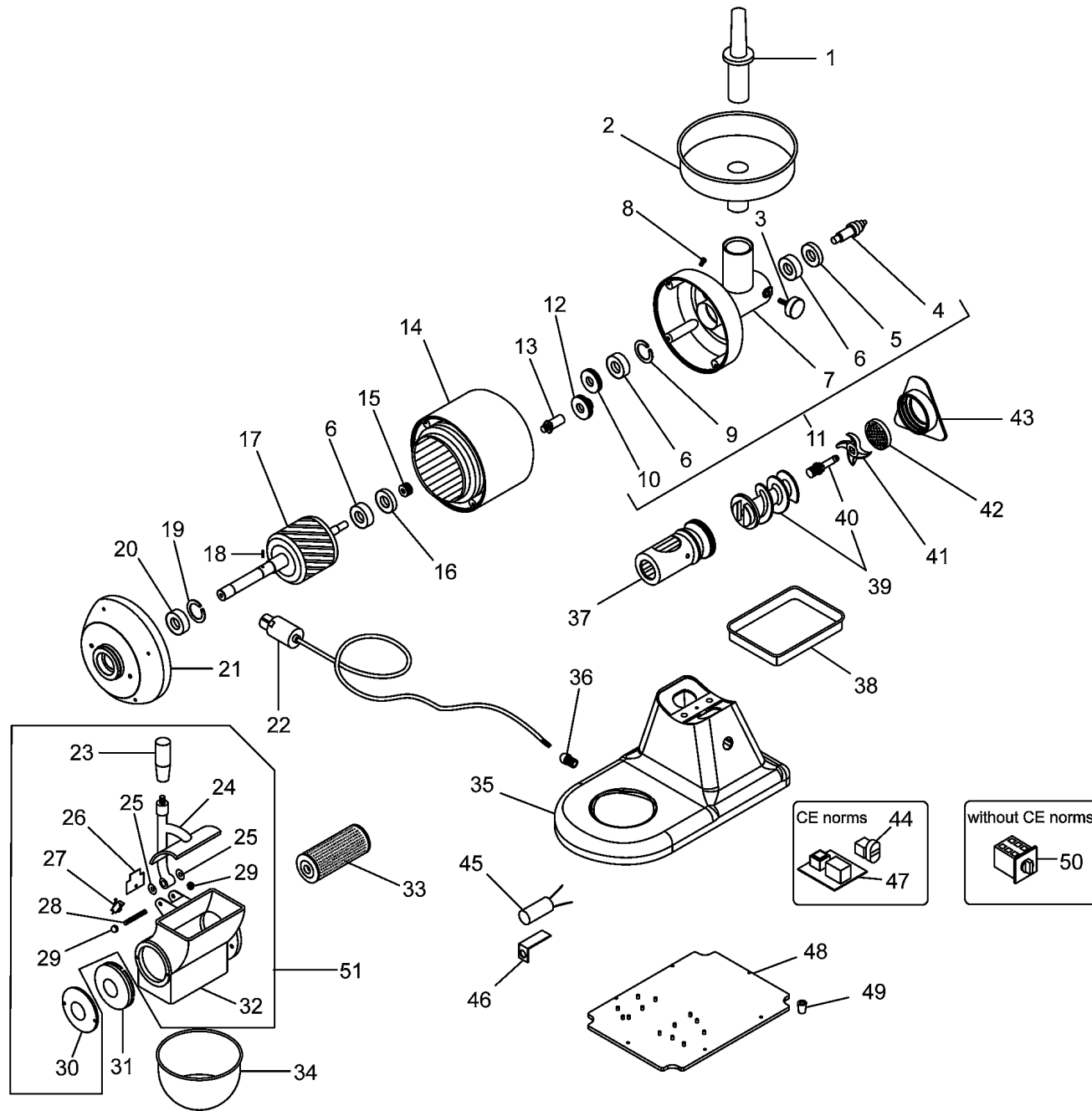


SPARE PARTS TAVOLA RICAMBI

ab12t-lq0

SPEC.	N.	CODE	DENOMINAZIONE - DENOMINATION
Assembly 400V 50-60Hz 3Ph		SA1106	ROTOR - ROTORE
	* 1	SL4069	Pusher - Pestello
(AB12L)	2	SL0135	Hopper - Tramoggia
(AB12T)	2	SL0136	Hopper - Tramoggia
	* 3	SL0138	Knob - Pomello
	4	SL0140	Shaft - Albero
∅25x∅40x7	5	SL0139	Oil seal - Paraolio
6203 2RS	6	SL0131	Bearing - Cuscinetto
	7	SL3980	Sleeve - Bocchettone
	* 8	SL2917	Cap - Tappo
∅40	9	SL0132	Seeger - Seeger
	10	SL0130	Gear - Ingranaggio
Assembly	11	SA3710	Sleeve - Bocchettone
	12	SL0125	Gear - Ingranaggio
	13	SL0124	Shaft - Albero
400V/1Ph/50Hz	14	SA1014	Stator - Statore
230V/1Ph/50Hz	14	SA1015	Stator - Statore
	15	SL0128	Gear - Ingranaggio
∅17x∅40x7	16	SL0127	Oil seal - Paraolio
∅5x10	18	SL0121	Pin - Spina
∅52	19	SL0119	Seeger - Seeger
6205 2RS	20	SL0118	Bearing - Cuscinetto
	21	SL0117	Calotte - Calotta
1Ph+N+Gnd	22	SL1671	Electric cable - Cavo elettrico
3Ph+Gnd	22	SL1841	Electric cable - Cavo elettrico
	* 23	SL0106	Handle - Maniglia
Assembly - dal 2005 in poi	24	SA1113	Pressure - Pressore
Assembly - prima del 2005	24	SA1119	Casing - Bocca
	25	SL3140	Washer - Rosetta
	26	SL3138	Covering - Copertura
	* 27	SL0885	Microswitch - Microinterruttore
	28	SL0258	Stud - Prigioniero
	29	3114560	Nut - Dado
	30	SL2833	Cover - Coperchio
	31	SL2573	Cap - Tappo
Assembly	32	SA1012	Casing - Bocca
	33	SA2800	Roller - Rullo
(AB12T)	34	SL0174	Container - Recipiente
(AB12L)	34	SL0175	Container - Recipiente
(AB12L)	35	SL0179	Base - Base

*Ricambio consigliato - Advised spare parts



POS. CODE

35	SL2988
36	SL1668
37	SL0142
37	SL3078
37	SL4333
38	SL0175
38	SL0180
39	SA5300
39	SA5312
40	SL2521
41	////////
42	////////
43	SL0171
43	SL3327R0
44	SL0891
45	SL0177
46	SL0176
47	SL0883
48	SL0226
48	SL2651
49	SL0235
50	SL0054
51	SA1119
55	SA1102



SPARE PARTS
TAVOLA RICAMBI

ab12t-lq0

SPEC.	N.	CODE	DENOMINAZIONE - DENOMINATION
(AB12T)	35	SL2988	Base - Base
PG11	36	SL1668	Cable clamp - Pressacavo
Stainless-steel	37	SL0142	Sleeve - Bocchettone
Food stuff treated steel	37	SL3078	Sleeve - Bocchettone
Aluminium CE	37	SL4333	HUB - BOCCHETTONE
(AB12L)	38	SL0175	Container - Recipiente
(AB12T)	38	SL0180	Container - Recipiente
Stainless-steel	* 39	SA5300	Screw shaft - Elica
Aluminium	* 39	SA5312	Screw shaft - Elica
	40	SL2521	Pivot - Perno
	* 41	////////	Cutter - Coltello
	* 42	////////	Cutter - Coltello
Stainless-steel	43	SL0171	Handwheel - Volantino
Aluminium	43	SL3327R0	Handwheel - Volantino
Start-stop	* 44	SL0891	Push button - Pulsante
16µF	45	SL0177	Condenser - Condensatore
	46	SL0176	Bracket - Staffa
	* 47	SL0883	Electronic card - Scheda elettronica
(AB12L)	48	SL0226	Bottom - Fondo
(AB12T)	48	SL2651	Bottom - Fondo
	49	SL0235	Foot - Piedino
	50	SL0054	Switch - Interruttore
	51	SA1119	Casing - Bocca
Assembly 230V 50Hz 1Ph	55	SA1102	ROTOR - ROTORE

*Ricambio consigliato - Advised spare parts