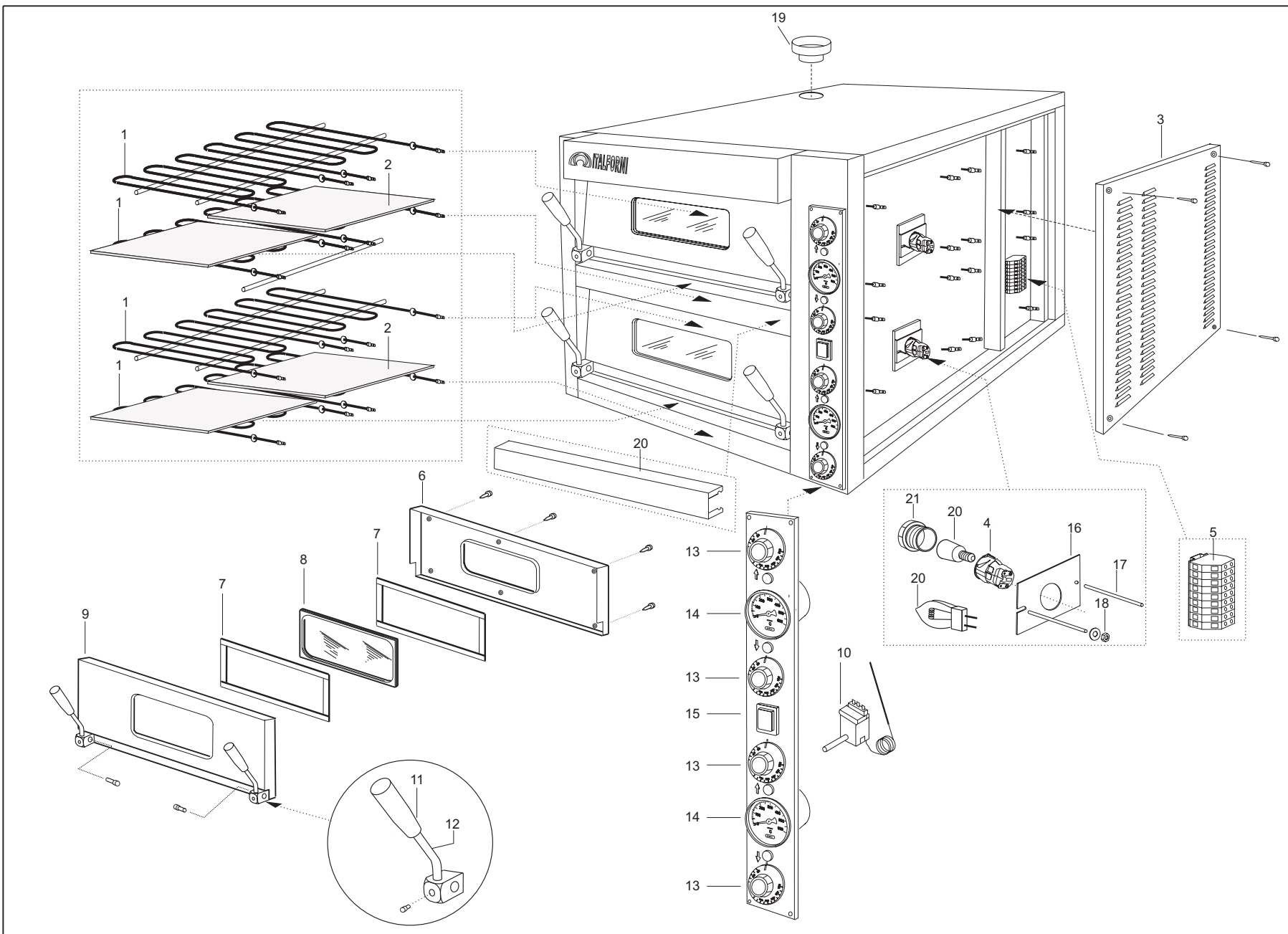


# EXPLOSIONSZEICHNUNG



KBS Gastrotechnik GmbH – Schoßbergstraße 26 – 65201 Wiesbaden



| Rif | Code     | Qnt |
|-----|----------|-----|
| 1   | 59100003 | 8   |
| 2   | 52300004 | 4   |
| 3   | 000000   | 1   |
| 4   | 86131007 | 2   |
| 5   | 86208001 | 1   |
| 5-A | 86208002 | 1   |
| 5-B | 86211001 | 1   |
| 5-C | 86213001 | 1   |
| 6   | 53000004 | 2   |
| 7   | 57700007 | 4   |
| 8   | 58300001 | 2   |
| 9   | 53000008 | 2   |
| 10  | 86301001 | 4   |
| 11  | 81229001 | 4   |
| 12  | 52100001 | 4   |
| 13  | 81229005 | 4   |
| 14  | 86501001 | 2   |
| 15  | 86125011 | 1   |
| 16  | 000000   | 2   |
| 17  | 000000   | 4   |
| 18  | 000000   | 4   |
| 19  | 57900001 | 1   |
| 20  | 86130001 | 2   |
| 21  | 86133004 | 2   |
| 22  | 86132001 | 1   |
| 23  | 86103005 | 1   |
| 24  | 00000000 | 1   |
| 25  | 00000000 | 1   |

**TK 2B INOX**

| Ref. | Code     | Description                                      |                              |
|------|----------|--|------------------------------|
| 20   | 86130003 | HALOGEN BULB 12V                                 |                              |
| 4    | 86131007 | HALOGEN LAMP HOLDER                              | Complete 86131004            |
| 21   | 86133004 | GLASS FOR HALOGEN BULB-SMALL                     |                              |
| 23   | 86103005 | TRANSFORMER                                      |                              |
| 1    | 59100003 | HEATING ELEMENT                                  |                              |
| 6    | 53000004 | ALUMINATE INTERIOR DOOR                          |                              |
| 9    | 53000008 | STAINLESS STEEL EXTERIOR DOOR                    |                              |
| 8    | 58300001 | TEMPERED GLASS 8MM                               |                              |
| 12   | 52100001 | ARM FOR DOOR OPENING                             |                              |
| 11   | 81229001 | HANDLE FOR DOOR OPENING                          |                              |
| 19   | 57900001 | CHIMNEY CONNECTION                               |                              |
| 2    | 52300004 | REFRACTORY PLATE 485x655x14                      |                              |
| 10   | 86301001 | AT THERMOSTAT                                    |                              |
| 13   | 81229005 | RED KNOB FOR THERMOSTAT                          |                              |
| 14   | 86501001 | THERMOMETER                                      |                              |
| 15   | 86125011 | GREEN SHINING DOUBLE SWITCH 12V (since 01/11/03) | cod.86125003 before 01/11/03 |
| 22   | 86132001 | SHINING WARNING LIGHT                            |                              |
| 5    | 86208001 | BROWN TERMINAL                                   |                              |
| 5-A  | 86208002 | BLUE TERMINAL                                    |                              |
| 5-B  | 86211001 | TERMINAL COVER                                   |                              |
| 5-C  | 86213001 | TERMINALS CLAMPING                               |                              |
| 7    | 57700007 | KIT SEALS FOR GLASS DOOR                         |                              |