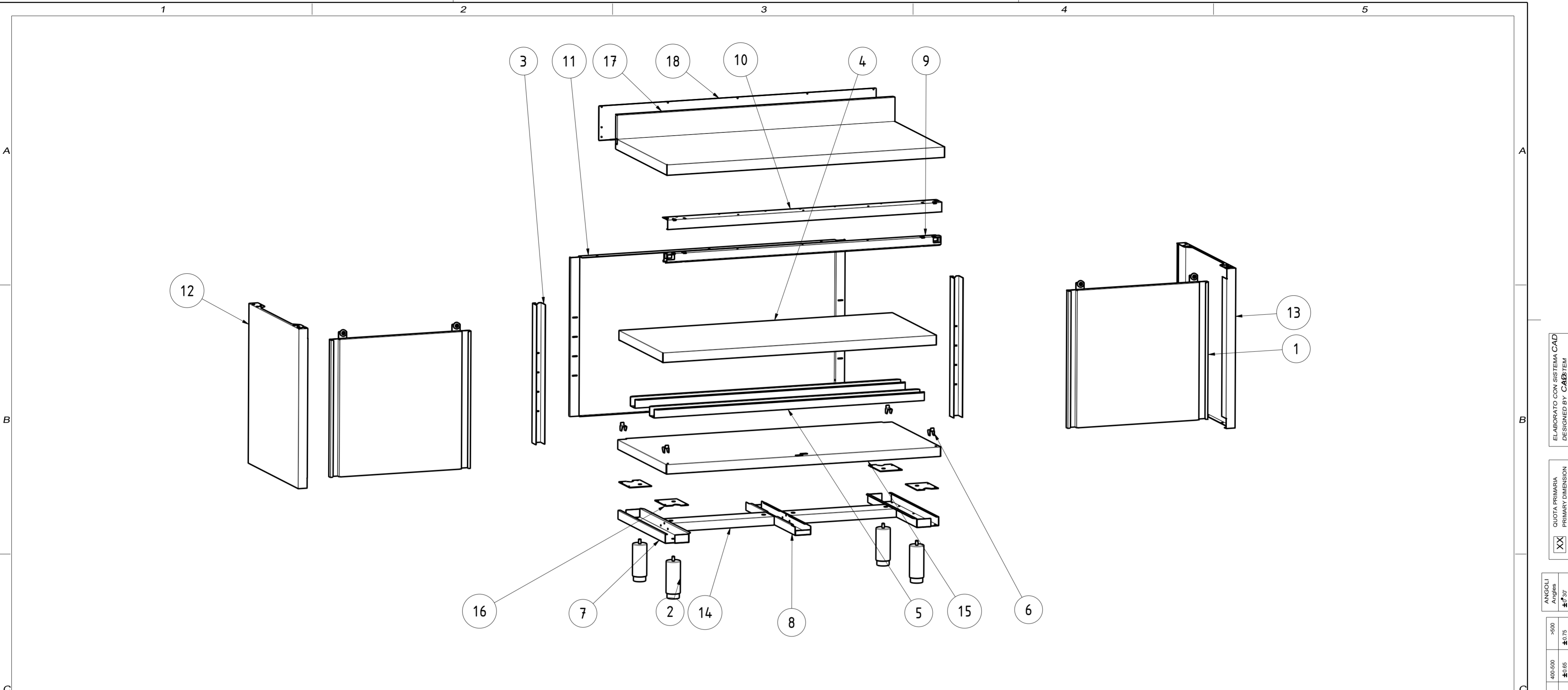


EXPLOSIONSZEICHNUNG



KBS Gastrotechnik GmbH – Schoßbergstraße 26 – 65201 Wiesbaden



18	NT4011Q	1	CHIUSURA ALZATINA TOP Q L120	UPSTAND BACK TOP Q L120
17	NT3949Q	1	TOP Q CON ALZATINA 120x60	TOP Q UPSTAND 120x60
16	NT4144	4	PIASTRA RIV PIEDINO PORTA BATTENTE	PLATE EXTERNAL LEG HINGED DOOR
15	NT4068	1	PIANO BASE 120x60	BASE SHELF 120x60
14	NT4058	2	OMEGA LONGITUDINALE (DIV.2) L120	LONGITUDINAL OMEGA L120
13	NT4045	1	PANNELLO LATERALE DX P60 H85	RIGHT SIDE PANEL P60 H85
12	NT4042	1	PANNELLO LATERALE SX P60 H85	LEFT SIDE PANEL P60 H85
11	NT3630	1	SCHIENALE L120 H85	BACK L120 H85
10	NT3590	1	ANGOLARE SUPP. BINARIO L120	ANGULAR BINARY SUPPORT L120
9	NT3579	1	BINARIO TAVOLI ARMADIATI L120	BINARY L120
8	NT2353	1	OMEGA CENTR RIV. PIANO BASE P60	CENTRAL OMEGA BASE SHELF P60
7	NT2351	2	OMEGA LATERALE PIANO BASE P60	LATERAL OMEGA BASE SHELF P60
6	NT330	4	STAFFA SUPPORTO RIPIANO INTERNO	GANCRIIP - INTERNAL SHELF SUPPORT BRACKET
5	NT184	2	OMEGA RINFORZO PIANO INTERNO L120	OMEGA SHELF RENINFORCEMENT L120
4	NT164	1	PIANO INTERNO REGOLABILE TA 120x60	INTERNAL ADJUSTABLE SHELF TA 120x60
3	NT101	2	MONTANTE ASOLATO PER LATERALI H85	SLOTTED UPRIGHT H85
2	DSPIEDTA	4	PIEDINO PER TAVOLI ARMADIATI	FOOT FOR CABINET TABLES
1	APS_L120_H85	2	ASSIEME PORTE SCORREVOLI L120 H85	SLIDING DOORS ASSEMBLY L120 H85
ITEM NO	PART NUMBER	QTY	DESCRIPTION	

DATA DATE	MODIF. N. MODIF. NO.	DESCRIZIONE MODIFICHE MODIFICATION DESCRIPTION	DISegnATO DRAWN BY	APPROVATO APPROVED
MODELLO MODEL	TAVOLO ARMADIATO 120x60 ALZATINA TABLE CABINET 120x60 UPSTAND		DISEGNO N. DRAWING NO. DSTA126A	SCALA SCALE -
PARTICOLARE DETAIL	ESPLOSO EXPLODED VIEW		DISEGNATO DRAWN BY M.PAPI	DATA DATE -
MATERIALE MATERIAL	AISI 304 - AISI 430	SPES.S. THICK. -	APPROVATO APPROVED	SHEET 3 OF 5
FINITURA FINISH		PEZZI N. PIECES NO.	SOSTITUISCE IL DIS. N. IT REPLACES DRAWING NO.	ULTIMA EMISS. LAST EDITION
TRATTAMENTO TREATMENT		COLORE COLOUR	SOSTITUITO DAL DIS. N. REPLACED BY DRAWING NO.	
		RISTOPRO SRL FRAZ. BORGO TUFICO, 47 FABRIANO (AN) ITALY +39.732.043494 WWW.RISTOPRO.COM		

ELABORATO CON SISTEMA CAD
 DESIGNED BY CAD/STEM
 QUOTA PRIMARIA
 PRIMARY DIMENSION
 XX
 ANGOLI
 Angles
 >500 ±0.75
 400-500 ±0.65
 250-315 ±0.55
 120-180 ±0.45
 80-120 ±0.40
 50-80 ±0.35
 30-50 ±0.30
 10-18 ±0.20
 5-10 ±0.15
 0-5 ±0.10
 TOLLERANZA UNLESS OTHERWISE STATED
 QUOTE SENZA TOLLERANZA
 DIMENSIONS WITHOUT TOLERANCES
 LUNGHEZZE E DIAMETRI
 LENGTH AND DIAMETERS
 FORM.A-2