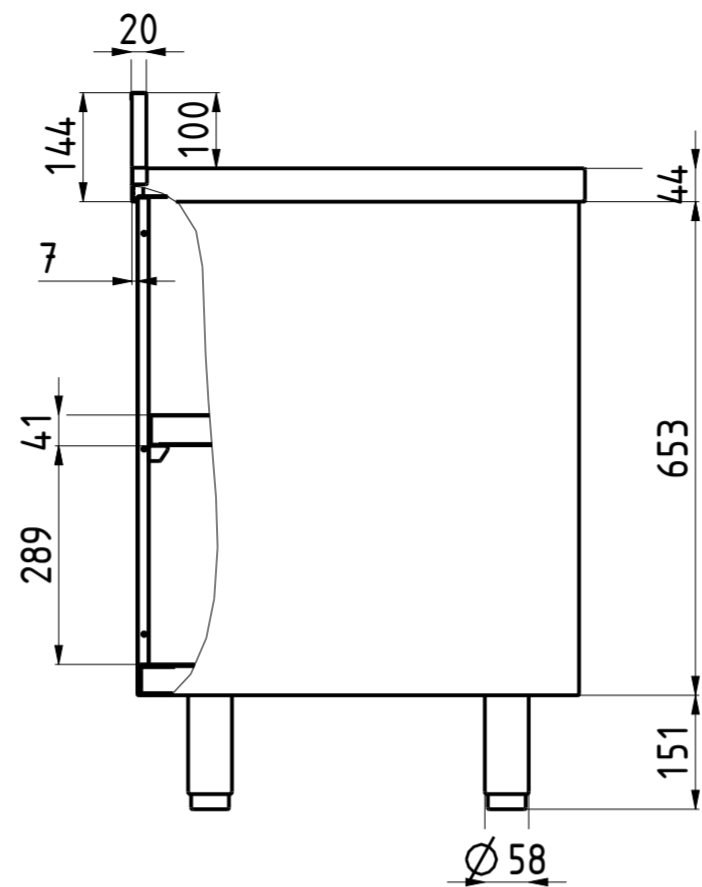
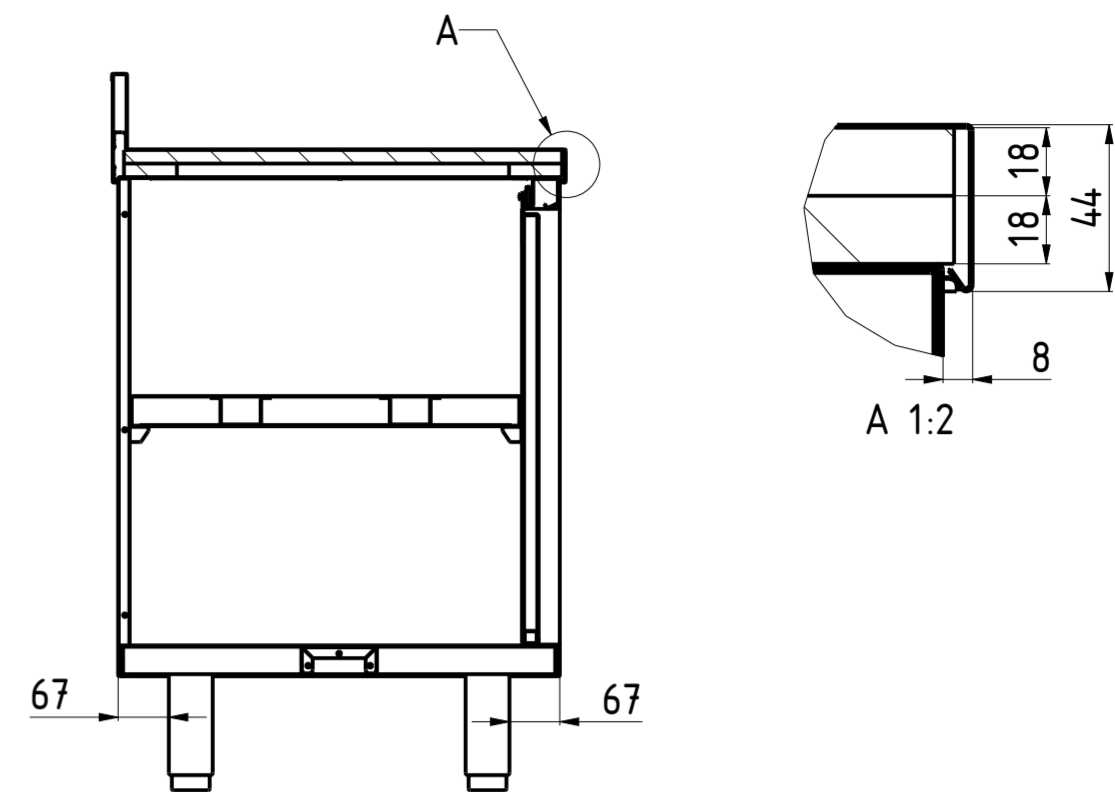


FRONT VIEW C-C 1:10

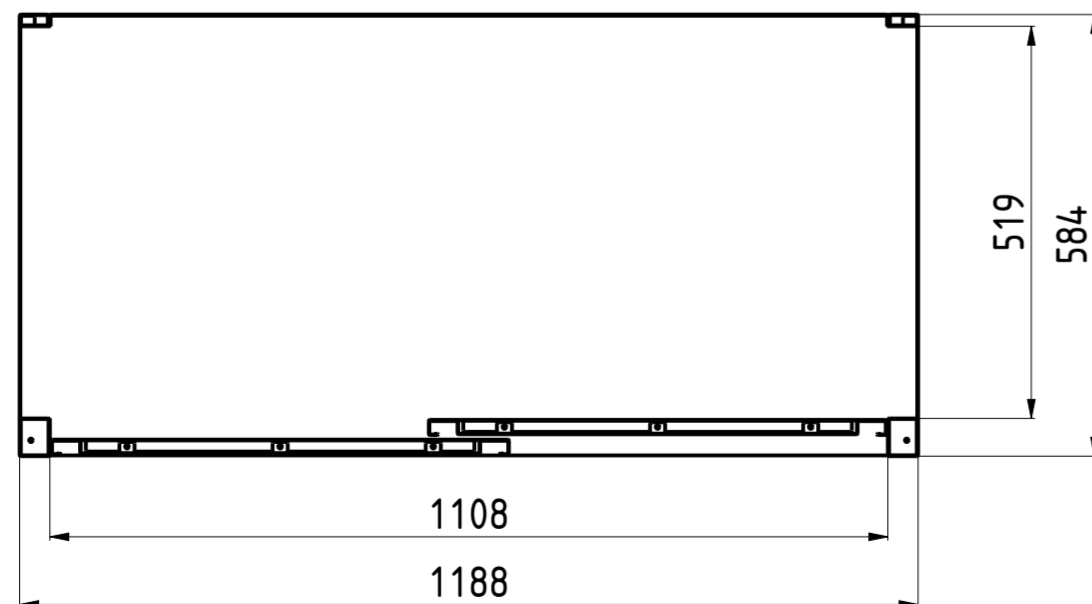
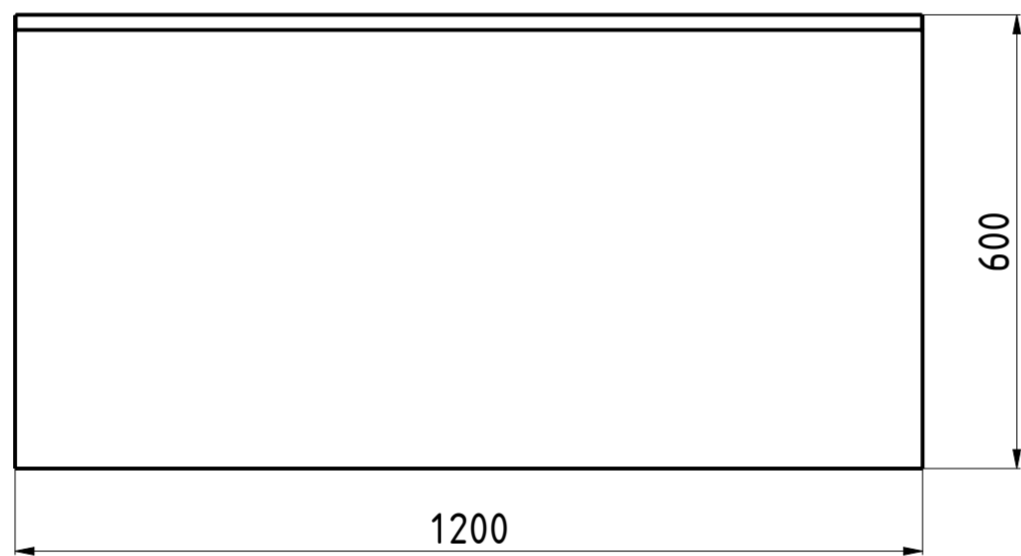


A-A

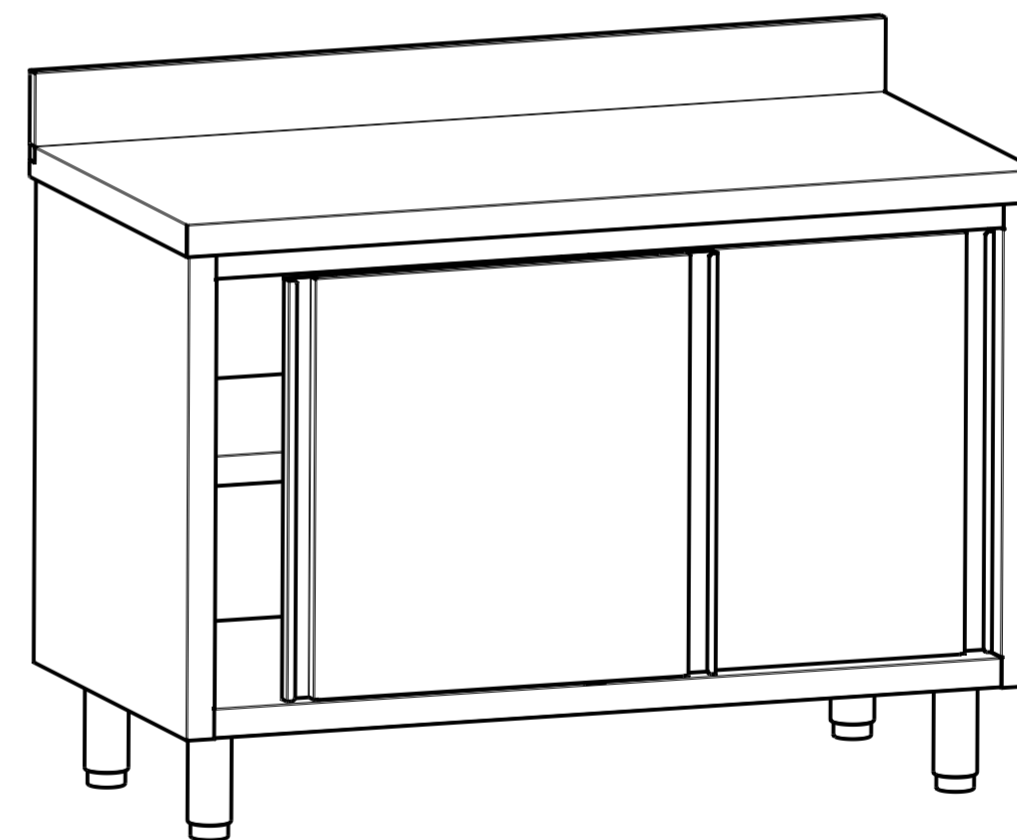


E-E

A 1:2



INTERNAL DIM  
D-D



DATA DATE	MODIF. N. MODIF. NO.	DESCRIZIONE MODIFICHE MODIFICATION DESCRIPTION	DISegnato DRAWN BY	APPROVATO APPROVED
MODELLO MODEL	TAVOLO ARMADIATO 120x60 ALZATINA TABLE CABINET 120x60 UPSTAND		DISegno N. DRAWING NO.	SCALA SCALE
PARTICOLARE DETAIL	SCHEDA TECNICA DATA SHEET		DISegnato DRAWN BY	DATA DATE
MATERIALE MATERIAL	AISI 304 - AISI 430	SPESSE THICK.	APPROVATO APPROVED	SHEET 2 OF 5
FINITURA FINISH		PEZZI N. PIECES NO.	SOSTITUISCE IL DIS. N. IT REPLACES DRAWING NO.	ULTIMA EMISS. LAST EDITION
TRATTAMENTO TREATMENT		COLORE COLOUR	SOSTITUITO DAL DIS. N. REPLACED BY DRAWING NO.	
		RISTOPRO SRL FRAZ. BORGO TUFICO, 47 FABRIANO (AN) ITALY +39.732.043494 WWW.RISTOPRO.COM		

ELABORATO CON SISTEMA CAD  
DESIGNED BY CAD/STEM

QUOTA PRIMARIA  
PRIMARY DIMENSION  
XX

ANGOLI  
Angles  
30°

TOLLERANZA UNLESS OTHERWISE STATED

>500	±0.75
400-500	±0.65
315-400	±0.60
250-315	±0.55
180-250	±0.50
120-180	±0.45
80-120	±0.40
50-80	±0.35
30-50	±0.30
18-30	±0.25
10-18	±0.20
5-10	±0.15
0-5	±0.10

LUNGH. E DIAM.  
LENGTH AND DIAM.  
mm

FORM.A-2