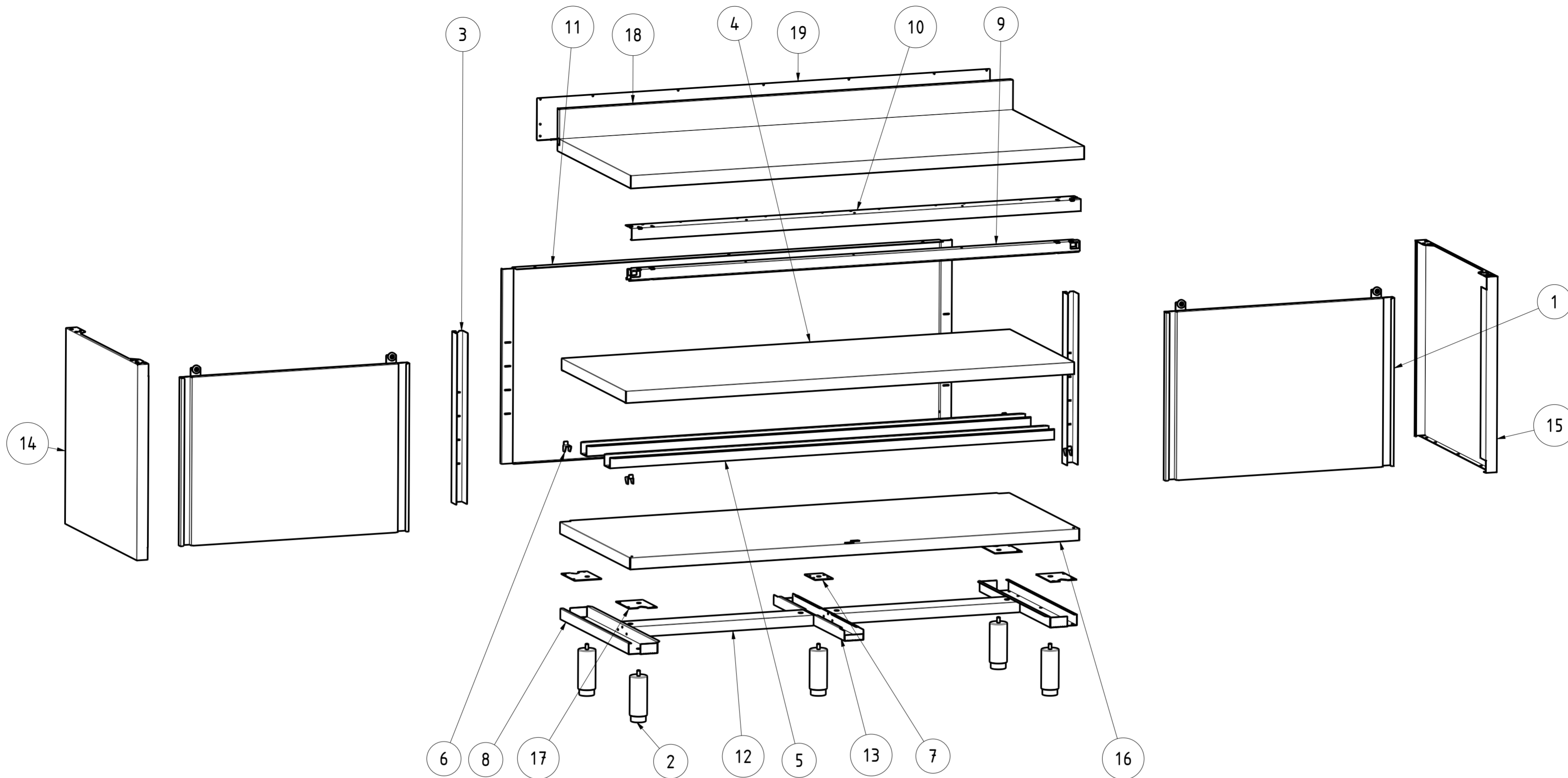


EXPLOSIONSZEICHNUNG



KBS Gastrotechnik GmbH – Schoßbergstraße 26 – 65201 Wiesbaden



19	NT4015Q	1	CHIUSURA ALZATINA TOP Q L160	UPSTAND BACK TOP Q L160
18	NT3968Q	1	TOP Q CON ALZATINA 160x70	TOP Q UPSTAND 160x70
17	NT4144	4	PIASTRA RIV PIEDINO PORTA BATTENTE	PLATE EXTERNAL LEG HINGED DOOR
16	NT4080	1	PIANO BASE 160x70	BASE SHELF 160x70
15	NT4046	1	PANNELLO LATERALE DX P70 H85	RIGHT SIDE PANEL P70 H85
14	NT4044	1	PANNELLO LATERALE SX P70 H85	LEFT SIDE PANEL P70 H85
13	NT4033	1	OMEGA CENTR RIV. PIANO BASE P70	CENTRAL OMEGA BASE SHELF P70
12	NT4029	2	OMEGA LONGITUDINALE L160	LONGITUDINAL OMEGA L160
11	NT3634	1	SCHIENALE L160 H85	BACK L160 H85
10	NT3594	1	ANGOLARE SUPP. BINARIO L160	ANGULAR BINARY SUPPORT L160
9	NT3583	1	BINARIO TAVOLI ARMADIATI L160	BINARY L160
8	NT2450	2	OMEGA LATERALE PIANO BASE P70	LATERAL OMEGA BASE SHELF P70
7	NT335	1	PIASTRA RINFORZO PER GAMBA CENTRALE	PLATE CENTRAL LEG
6	NT330	4	STAFFA SUPPORTO RIPIANO INTERNO	GANCIP - INTERNAL SHELF SUPPORT BRACKET
5	NT187	2	OMEGA RINFORZO PIANO INTERNO L160	OMEGA SHELF RENINFORCEMENT L160
4	NT176	1	PIANO INTERNO REGOLABILE TA 160x70	INTERNAL ADJUSTABLE SHELF TA 160x70
3	NT101	2	MONTANTE ASOLATO PER LATERALI H85	SLOTTED UPRIGHT H85
2	DSPIEDTA	5	PIEDINO PER TAVOLI ARMADIATI	FOOT FOR CABINET TABLES
1	APS_L160_H85	2	ASSIEME PORTE SCORREVOLI L160 H85	SLIDING DOORS ASSEMBLY L160 H85
ITEM NO	PART NUMBER	QTY	DESCRIPTION	

DATA DATE	MODIF. N. MODIF. NO.	DESCRIZIONE MODIFICHE MODIFICATION DESCRIPTION	DISegnATO DRAWN BY	APPROVATO APPROVED
MODELLO MODEL	TAVOLO ARMADIATO 160x70 ALZATINA TABLE CABINET 160x70 UPSTAND		DISEGNO N. DRAWING NO. DSTA167A	SCALA SCALE -
PARTICOLARE DETAIL	ESPLOSO EXPLODED VIEW		DISEGNATO DRAWN BY M.PAPI	DATA DATE -
MATERIALE MATERIAL	AISI 304 - AISI 430	SPES. THICK. -	APPROVATO APPROVED	SHEET 4 OF 4
FINITURA FINISH		PEZZI N. PIECES NO.	SOSTITUISCE IL DIS. N. IT REPLACES DRAWING NO.	ULTIMA EMISS. LAST EDITION
TRATTAMENTO TREATMENT	COLORE COLOUR		SOSTITUITO DAL DIS. N. REPLACED BY DRAWING NO.	
		RISTOPRO SRL FRAZ. BORGO TUFICO, 47 FABRIANO (AN) ITALY +39.732.043494 WWW.RISTOPRO.COM		 mm

ELABORATO CON SISTEMA CAD
DESIGNED BY CAD\$TEM

QUOTA PRIMARIA
PRIMARY DIMENSION
XX

ANGOLI
Angles
±0.30°

TOLLERANZA UNLESS OTHERWISE STATED	ANGOLI
>500	±0.75
400-500	±0.65
315-400	±0.60
250-315	±0.55
180-250	±0.50
120-180	±0.45
80-120	±0.40
50-80	±0.35
30-50	±0.30
18-30	±0.25
10-18	±0.20
5-10	±0.15
0-5	±0.10

LUNGH. E DIAM.
LENGTH AND DIAM.
FORM.A-2