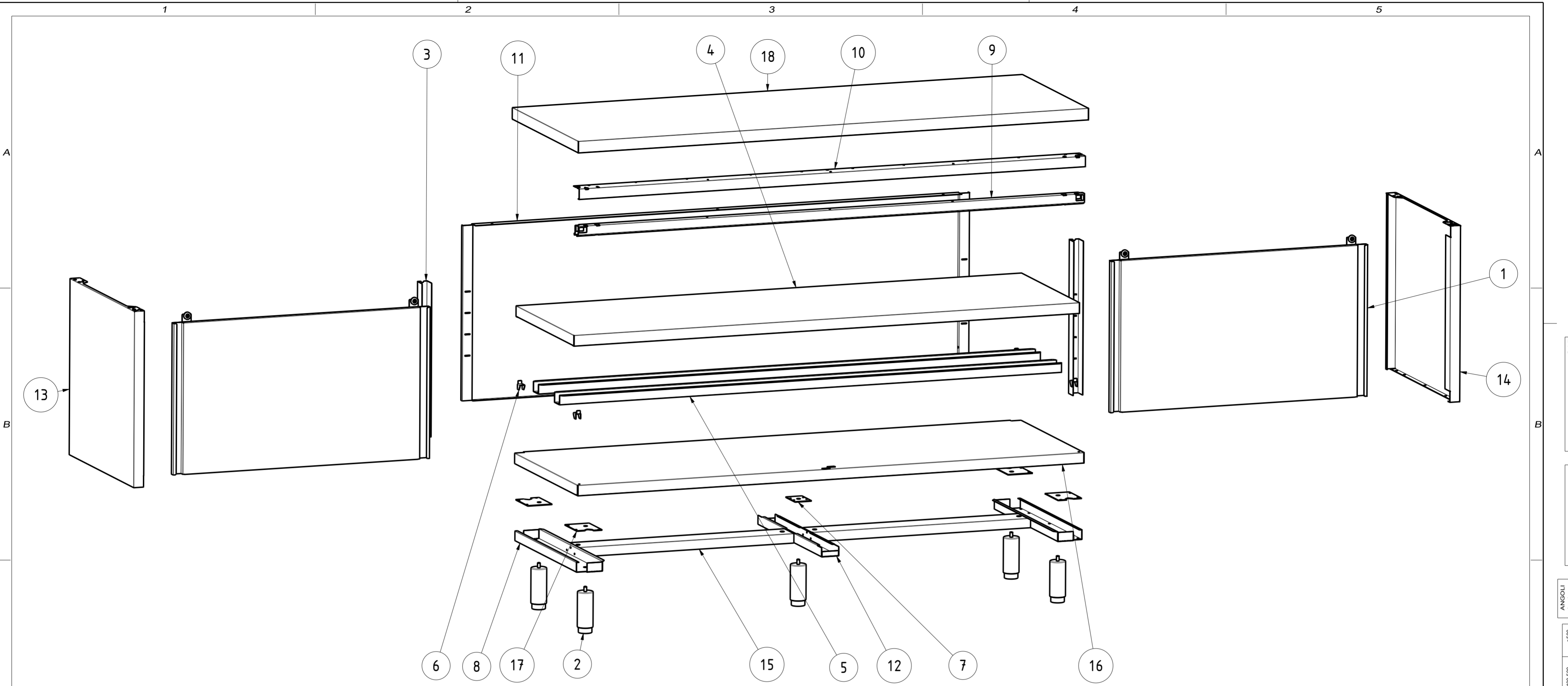


# EXPLOSIONSZEICHNUNG



KBS Gastrotechnik GmbH – Schoßbergstraße 26 – 65201 Wiesbaden



18	NT3940Q	1	TOP Q 200x70	TOP Q 200x70
17	NT4144	4	PIASTRA RIV PIEDINO PORTA BATTENTE	PLATE EXTERNAL LEG HINGED DOOR
16	NT4082	1	PIANO BASE 200x70	BASE SHELF 200x70
15	NT4064	2	OMEGA LONGITUDINALE (DIV.2) L200	LONGITUDINAL OMEGA L200
14	NT4046	1	PANNELLO LATERALE DX P70 H85	RIGHT SIDE PANEL P70 H85
13	NT4044	1	PANNELLO LATERALE SX P70 H85	LEFT SIDE PANEL P70 H85
12	NT4033	1	OMEGA CENTR RIV. PIANO BASE P70	CENTRAL OMEGA BASE SHELF P70
11	NT3638	1	SCHIENALE L200 H85	BACK L200 H85
10	NT3598	1	ANGOLARE SUPP. BINARIO L200	ANGULAR BINARY SUPPORT L200
9	NT3587	1	BINARIO TAVOLI ARMADIATI L200	BINARY L200
8	NT2450	2	OMEGA LATERALE PIANO BASE P70	LATERAL OMEGA BASE SHELF P70
7	NT335	1	PIASTRA RINFORZO PER GAMBA CENTRALE	PLATE CENTRAL LEG
6	NT330	4	STAFFA SUPPORTO RIPIANO INTERNO	GANCIP - INTERNAL SHELF SUPPORT BRACKET
5	NT189	2	OMEGA RINFORZO PIANO INTERNO L200	OMEGA SHELF RENIFORCEMENT L200
4	NT178	1	PIANO INTERNO REGOLABILE TA 200x70	INTERNAL ADJUSTABLE SHELF TA 200x70
3	NT101	2	MONTANTE ASOLATO PER LATERALI H85	SLOTTED UPRIGHT H85
2	DSPIEDTA	5	PIEDINO PER TAVOLI ARMADIATI	FOOT FOR CABINET TABLES
1	APS_L200_H85	2	ASSIEME PORTE SCORREVOLI L200 H85	SLIDING DOORS ASSEMBLY L200 H85
ITEM NO	PART NUMBER	QTY	DESCRIPTION	

DATA DATE	MODIF. N. MODIF. NO.	DESCRIZIONE MODIFICHE MODIFICATION DESCRIPTION	DISegnATO DRAWN BY	APPROVATO APPROVED
MODELLO MODEL	TAVOLO ARMADIATO 200x70 TABLE CABINET 200x70		DISegno N. DRAWING NO.	DSTA207
PARTICOLARE DETAIL	ESPLOSO EXPLODED VIEW		DISegnATO DRAWN BY	M.PAPI
MATERIALE MATERIAL	AISI 304 - AISI 430	SPES.S. THICK.	-	APPROVATO APPROVED
FINITURA FINISH		PEZZI N. PIECES NO.		SOSTITUISCE IL DIS. N. IT REPLACES DRAWING NO.
TRATTAMENTO TREATMENT		COLORE COLOUR		SOSTITUITO DAL DIS. N. REPLACED BY DRAWING NO.
<b>RISTOPRO</b> PROFESSIONAL CATERING EQUIPMENT			RISTOPRO SRL FRAZ. BORGO TUFICO, 47 FABRIANO (AN) ITALY +39.732.043494 WWW.RISTOPRO.COM	
			mm	

ELABORATO CON SISTEMA CAD  
 DESIGNED BY CAD/STEM  
 QUOTA PRIMARIA  
 PRIMARY DIMENSION  
 XX  
 ANGOLI  
 Angles  
 >500  
 <math>\pm 0,75</math>  
 400-500  
 <math>\pm 0,65</math>  
 315-400  
 <math>\pm 0,60</math>  
 250-315  
 <math>\pm 0,55</math>  
 180-250  
 <math>\pm 0,50</math>  
 120-180  
 <math>\pm 0,45</math>  
 80-120  
 <math>\pm 0,40</math>  
 50-80  
 <math>\pm 0,35</math>  
 30-50  
 <math>\pm 0,30</math>  
 10-30  
 <math>\pm 0,25</math>  
 5-10  
 <math>\pm 0,15</math>  
 0-5  
 <math>\pm 0,10</math>  
 TOLLERANZA UNLESS OTHERWISE STATED  
 QUOTE SENZA TOLLERANZA  
 DIMENSIONS WITHOUT TOLERANCES  
 LUNGHEZZE E DIAMETRI  
 LENGTH AND DIAMETERS  
 FORM.A-2