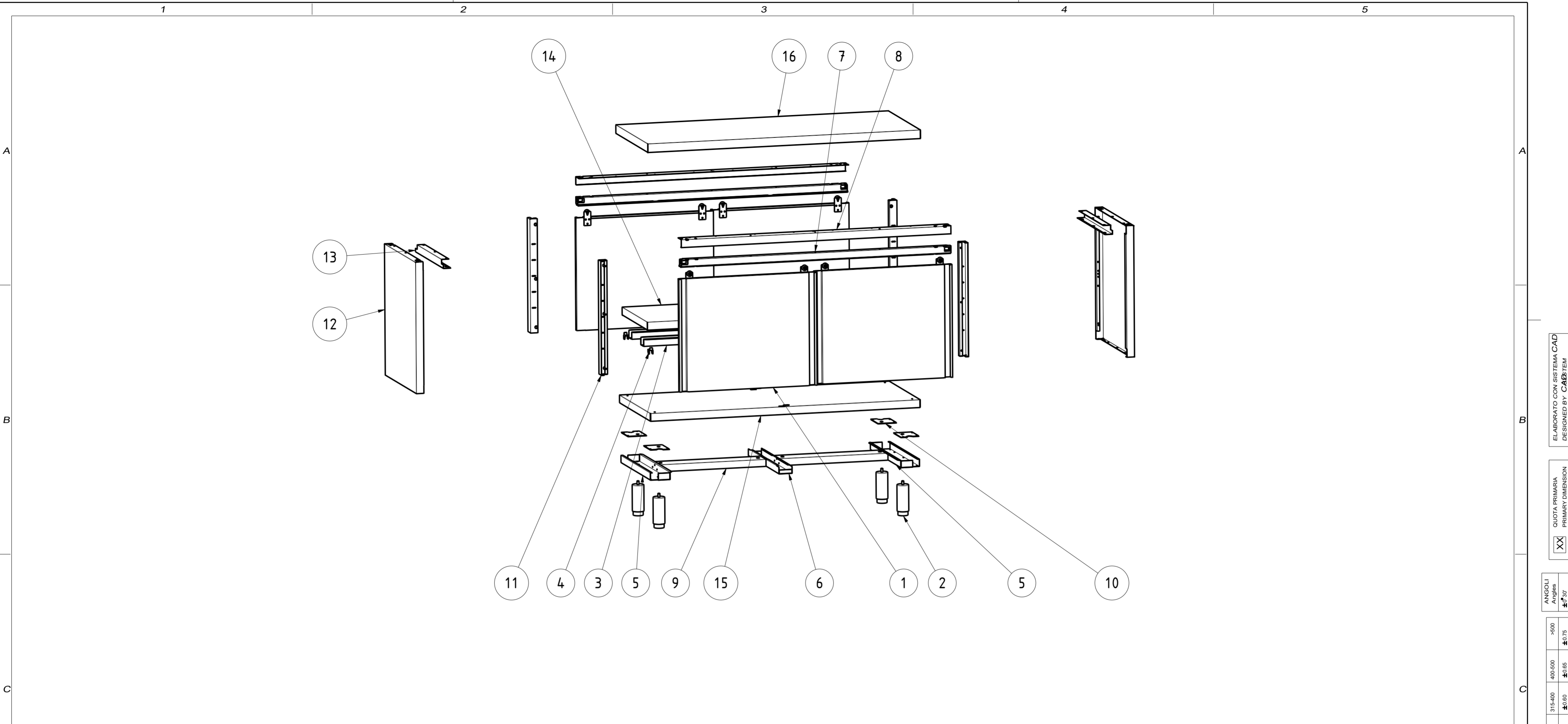


EXPLOSIONSZEICHNUNG



KBS Gastrotechnik GmbH – Schoßbergstraße 26 – 65201 Wiesbaden



16	NT3921Q	1	TOP Q 140x60	TOP Q 140x60
15	NT4404	1	PIANO BASE TAP 140x60	BASE SHELF TAP 140x60
14	NT4275	1	PIANO INTERNO REGOLABILE TAP TF 140x60	INTERNAL ADJUSTABLE SHELF TAP 140x60
13	NT4150	2	COLLEGAMENTO MONTANTI P60	UPRIGHT CONNECTION P60
12	NT4148	2	FIANCO DX/SX TAVOLO SU FIANCHI/PASSANTE P60	RIGHT SIDE / LEFT SIDE TABLE ON SIDES P60
11	NT4147	4	MONTANTE ASOLATO	HOLED UPRIGHT
10	NT4144	4	PIASTRA RIV PIEDINO PORTA BATTENTE	PLATE EXTERNAL LEG HINGED DOOR
9	NT4030	2	OMEGA LONGITUDINALE (DIV.2) L140	LONGITUDINAL OMEGA L140
8	NT3592	2	ANGOLARE SUPP. BINARIO L140	ANGULAR BINARY SUPPORT L140
7	NT3581	2	BINARIO TAVOLI ARMADIATI L140	BINARY L140
6	NT2353	1	OMEGA CENTR RIV. PIANO BASE P60	CENTRAL OMEGA BASE SHELF P60
5	NT2351	2	OMEGA LATERALE PIANO BASE P60	LATERAL OMEGA BASE SHELF P60
4	NT330	4	STAFFA SUPPORTO RIPIANO INTERNO	GANCRIIP - INTERNAL SHELF SUPPORT BRACKET
3	NT185	2	OMEGA RINFORZO PIANO INTERNO L140	OMEGA SHELF RENINFORCEMENT L140
2	DSPIEDTA	4	PIEDINO PER TAVOLI ARMADIATI	FOOT FOR CABINET TABLES
1	APS_L140_H85	4	ASSIEME PORTE SCORREVOLI L140 H85	SLIDING DOORS ASSEMBLY L140 H85
ITEM NO	PART NUMBER	QTY	DESCRIPTION	

DATA DATE	MODIF. N. MODIF. NO.	DESCRIZIONE MODIFICHE MODIFICATION DESCRIPTION	DISEGNATO DRAWN BY	APPROVATO APPROVED
-	-	-	M.PAPI	
MODELLO MODEL	TAVOLO PASSANTE 140x60 OPEN TABLE SLIDING DOORS 140x60		DISSEGNO N. DRAWING NO.	SCALA SCALE
PARTICOLARE DETAIL	SCHEDA TECNICA DATA SHEET		M.PAPI	DATE -
MATERIALE MATERIAL	SPESS. THICK.	APPROVATO APPROVED	SHEET 3 OF 4	
FINITURA FINISH	PEZZI N. PIECES NO.	SOSTITUISCE IL DIS. N. IT REPLACES DRAWING NO.	ULTIMA EMISS. LAST EDITION	
TRATTAMENTO TREATMENT	COLORE COLOUR	SOSTITUITO DAL DIS. N. REPLACED BY DRAWING NO.		
		RISTOPRO SRL FRAZ. BORGO TUFICO, 47 FABRIANO (AN) ITALY +39.732.043494 WWW.RISTOPRO.COM		

ELABORATO CON SISTEMA CAD
 DESIGNED BY CAD/STEM
 QUOTA PRIMARIA
 PRIMARY DIMENSION
 XX
 ANGOLI
 Angles
 >500
 ±0.75
 400-500
 ±0.65
 315-400
 ±0.60
 250-315
 ±0.55
 120-180
 ±0.45
 80-120
 ±0.40
 50-80
 ±0.35
 30-50
 ±0.30
 10-18
 ±0.20
 5-10
 ±0.15
 0-5
 ±0.10
 LUNGHEZZE E DIAM.
 LENGTH AND DIAM.
 TOLLERANZA UNLESS OTHERWISE STATED
 QUOTE SENZA TOLLERANZA
 DIMENSIONS WITHOUT TOLERANCE
 FORM.A-2