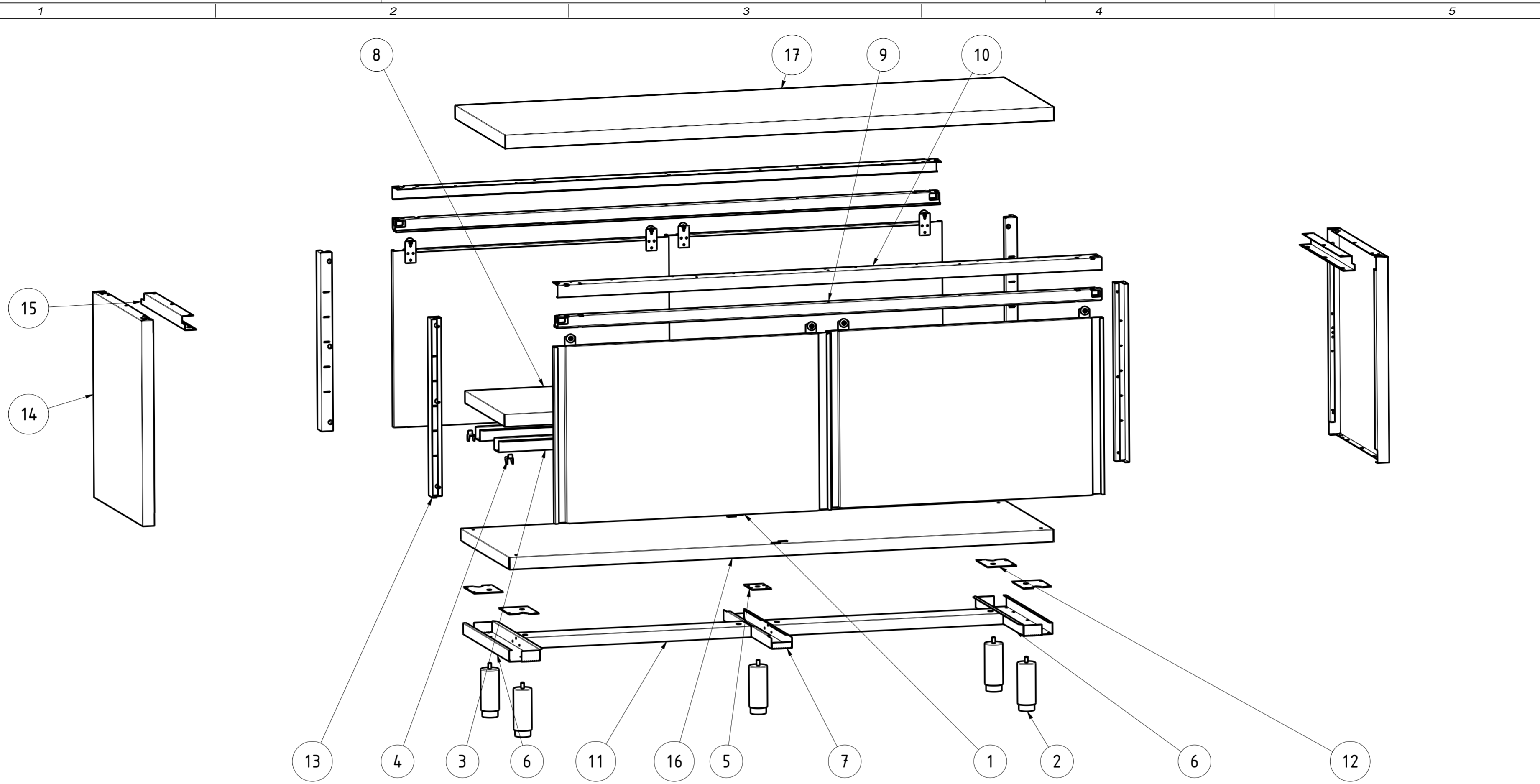


EXPLOSIONSZEICHNUNG



KBS Gastrotechnik GmbH – Schoßbergstraße 26 – 65201 Wiesbaden



17	NT3924Q	1	TOP Q 180x60	TOP Q 180x60
16	NT4408	1	PIANO BASE TAP 180x60	BASE SHELF TAP 180x60
15	NT4150	2	COLLEGAMENTO MONTANTI P60	UPRIGHT CONNECTION P60
14	NT4148	2	FIANCO DX/SX TAVOLO SU FIANCHI/PASSANTE P60	RIGHT SIDE / LEFT SIDE TABLE ON SIDES P60
13	NT4147	4	MONTANTE ASOLATO	HOLED UPRIGHT
12	NT4144	4	PIASTRA RIV PIEDINO PORTA BATTENTE	PLATE EXTERNAL LEG HINGED DOOR
11	NT4062	2	OMEGA LONGITUDINALE (DIV.2) L180	LONGITUDINAL OMEGA L180
10	NT3596	2	ANGOLARE SUPP. BINARIO L180	ANGULAR BINARY SUPPORT L180
9	NT3585	2	BINARIO TAVOLI ARMADIATI L180	BINARY L180
8	NT2939	1	PIANO INTERNO REGOLABILE TAP TF 180x60	INTERNAL ADJUSTABLE SHELF TAP 180x60
7	NT2353	1	OMEGA CENTR RIV. PIANO BASE P60	CENTRAL OMEGA BASE SHELF P60
6	NT2351	2	OMEGA LATERALE PIANO BASE P60	LATERAL OMEGA BASE SHELF P60
5	NT335	1	PIASTRA RINFORZO PER GAMBA CENTRALE	PLATE CENTRAL LEG
4	NT330	4	STAFFA SUPPORTO RIPIANO INTERNO	GANCRIIP - INTERNAL SHELF SUPPORT BRACKET
3	NT188	2	OMEGA RINFORZO PIANO INTERNO L180	OMEGA SHELF RENINFORCEMENT L180
2	DSPIEDTA	5	PIEDINO PER TAVOLI ARMADIATI	FOOT FOR CABINET TABLES
1	APS_L180_H85	4	ASSIEME PORTE SCORREVOLI L180 H85	SLIDING DOORS ASSEMBLY L180 H85
ITEM NO	PART NUMBER	QTY	DESCRIPTION	

DATA DATE	MODIF. N. MODIF. NO.	DESCRIZIONE MODIFICHE MODIFICATION DESCRIPTION	DISegnATO DRAWN BY	APPROVATO APPROVED
-	-	-	-	-
MODELLO MODEL	TAVOLO PASSANTE 180x60 OPEN TABLE SLIDING DOORS 180x60		DISegno N. DRAWING NO. DSTAP186	SCALA SCALE -
PARTICOLARE DETAIL	SCHEDA TECNICA DATA SHEET		DISegnATO DRAWN BY M.PAPI	DATA DATE -
MATERIALE MATERIAL	SPESS. THICK.	APPROVATO APPROVED	SHEET 3 OF 4	
FINITURA FINISH	PEZZI N. PIECES NO.	SOSTITUISCE IL DIS. N. IT REPLACES DRAWING NO.	ULTIMA EMISS. LAST EDITION	
TRATTAMENTO TREATMENT	COLORE COLOUR	SOSTITUITO DAL DIS. N. REPLACED BY DRAWING NO.		
		RISTOPRO SRL FRAZ. BORGO TUFICO, 47 FABRIANO (AN) ITALY +39.732.043494 WWW.RISTOPRO.COM		

ELABORATO CON SISTEMA CAD DESIGNED BY CAD/STEM
 QUOTA PRIMARIA PRIMARY DIMENSION XX
 ANGOLI Angles 30°
 >500 ±0.75
 400-500 ±0.65
 315-400 ±0.60
 250-315 ±0.55
 180-250 ±0.50
 120-180 ±0.45
 80-120 ±0.40
 50-80 ±0.35
 30-50 ±0.30
 10-30 ±0.25
 5-10 ±0.15
 0-5 ±0.10
 TOLLERANZA UNLESS OTHERWISE STATED
 QUOTE SENZA TOLLERANZA
 LUNGHEZZE E DIAM. LENGTH AND DIAM. mm
 FORM.A-2