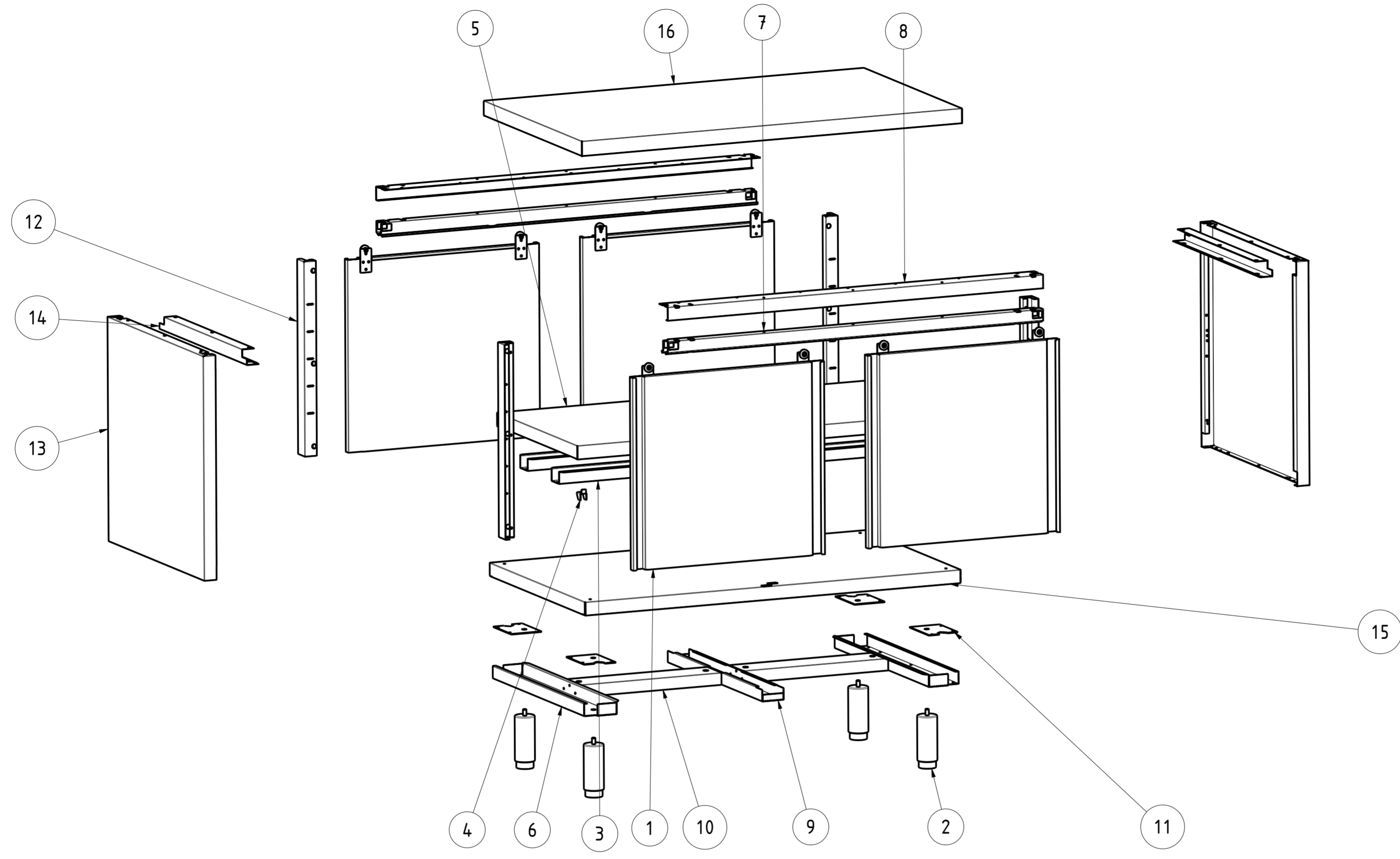


EXPLOSIONSZEICHNUNG



KBS Gastrotechnik GmbH – Schoßbergstraße 26 – 65201 Wiesbaden



| | | | | |
|---------|--------------|-----|---|---|
| 16 | NT3934Q | 1 | TOP Q 120x70 | TOP Q 120x70 |
| 15 | NT4417 | 1 | PIANO BASE TAP 120x70 | BASE SHELF TAP 120x70 |
| 14 | NT4151 | 2 | COLLEGAMENTO MONTANTI P70 | UPRIGHT CONNECTION P70 |
| 13 | NT4149 | 2 | FIANCO DX/SX TAVOLO SU FIANCHI/PASSANTE P70 | RIGHT/LEFT SIDE TABLE ON SIDES P70 |
| 12 | NT4147 | 4 | MONTANTE ASOLATO | HOLED UPRIGHT |
| 11 | NT4144 | 4 | PIASTRA RIV PIEDINO PORTA BATTENTE | PLATE EXTERNAL LEG HINGED DOOR |
| 10 | NT4058 | 2 | OMEGA LONGITUDINALE (DIV.2) L120 | LONGITUDINAL OMEGA L120 |
| 9 | NT4033 | 1 | OMEGA CENTR RIV. PIANO BASE P70 | CENTRAL OMEGA BASE SHELF P70 |
| 8 | NT3590 | 2 | ANGOLARE SUPP. BINARIO L120 | ANGULAR BINARY SUPPORT L120 |
| 7 | NT3579 | 2 | BINARIO TAVOLI ARMADIATI L120 | BINARY L120 |
| 6 | NT2450 | 2 | OMEGA LATERALE PIANO BASE P70 | LATERAL OMEGA BASE SHELF P70 |
| 5 | NT1771 | 1 | PIANO INTERNO REGOLABILE TAP TF 120x70 | INTERNAL ADJUSTABLE SHELF TAP 120x70 |
| 4 | NT330 | 4 | STAFFA SUPPORTO RIPIANO INTERNO | GANCRIIP - INTERNAL SHELF SUPPORT BRACKET |
| 3 | NT184 | 2 | OMEGA RINFORZO PIANO INTERNO L120 | OMEGA SHELF RENINFORCEMENT L120 |
| 2 | DSPIEDTA | 4 | PIEDINO PER TAVOLI ARMADIATI | FOOT FOR CABINET TABLES |
| 1 | APS_L120_H85 | 4 | ASSIEME PORTE SCORREVOLI L120 H85 | SLIDING DOORS ASSEMBLY L120 H85 |
| ITEM NO | PART NUMBER | QTY | DESCRIPTION | |

| | | | | |
|-----------------------|--|--|----------------------------|--------------------|
| DATA DATE | MODIF. N. MODIF. NO. | DESCRIZIONE MODIFICHE MODIFICATION DESCRIPTION | DISegnATO DRAWN BY | APPROVATO APPROVED |
| | | | M.PAPI | |
| MODELLO MODEL | TAVOLO PASSANTE 120x70 OPEN TABLE SLIDING DOORS 120x70 | | DISEGNO N. DRAWING NO. | SCALA SCALE |
| PARTICOLARE DETAIL | SCHEDA TECNICA DATA SHEET | | M.PAPI | DATA DATE |
| MATERIALE MATERIAL | SPESSE THICK. | APPROVATO APPROVED | SHEET 3 OF 3 | |
| FINITURA FINISH | PEZZI N. PIECES NO. | SOSTITUISCE IL DIS. N. IT REPLACES DRAWING NO. | ULTIMA EMISS. LAST EDITION | |
| TRATTAMENTO TREATMENT | COLORE COLOUR | SOSTITUITO DAL DIS. N. REPLACED BY DRAWING NO. | | |
| | | RISTOPRO SRL FRAZ. BORGO TUFICO, 47 FABRIANO (AN) ITALY +39.732.043494 WWW.RISTOPRO.COM | | mm |

ELABORATO CON SISTEMA CAD
 DESIGNED BY CAD/STEM
 QUOTA PRIMARIA
 PRIMARY DIMENSION
 XX
 ANGOLI
 Angles
 >500 ±0.75
 400-500 ±0.65
 315-400 ±0.60
 250-315 ±0.55
 180-250 ±0.50
 120-180 ±0.45
 80-120 ±0.40
 50-80 ±0.35
 30-50 ±0.30
 10-30 ±0.25
 5-10 ±0.15
 0-5 ±0.10
 TOLLERANZA UNLESS OTHERWISE STATED
 QUOTE SENZA TOLLERANZA
 DIMENSIONS WITHOUT TOLERANCES
 LUNGHEZZE E DIAMETRI
 LENGTHS AND DIAMETERS
 FORM.A-2