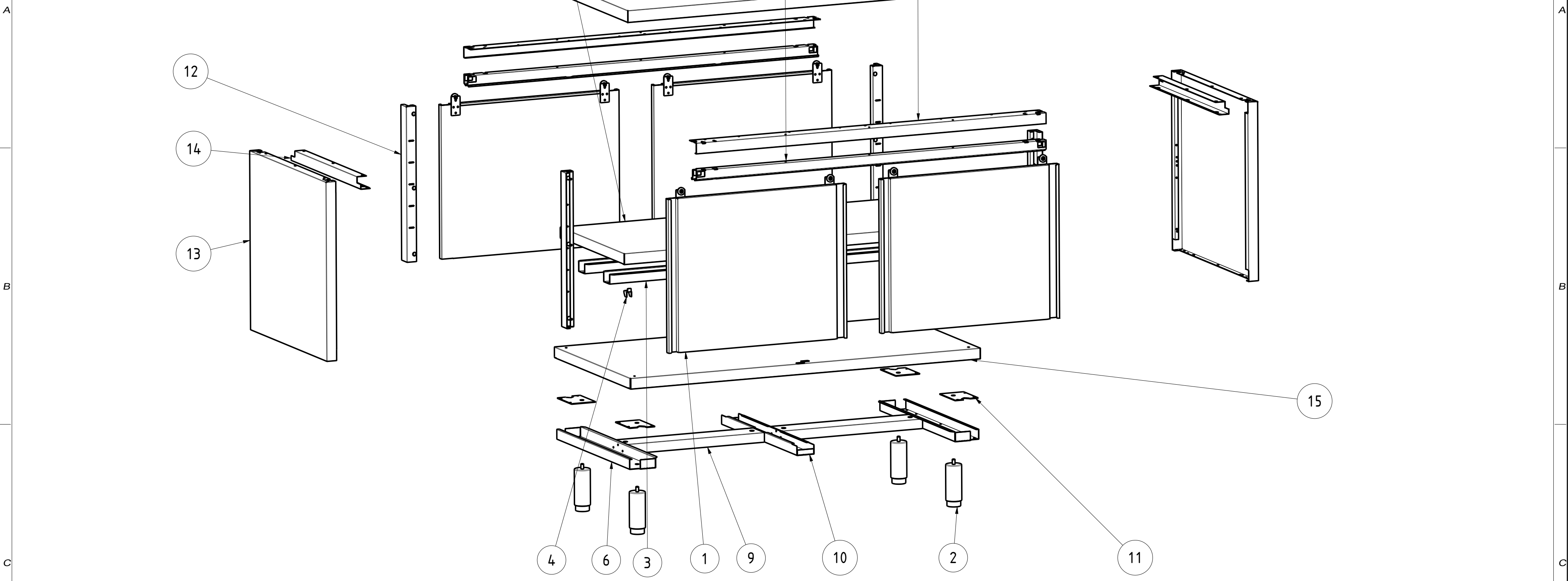


# EXPLOSIONSZEICHNUNG



KBS Gastrotechnik GmbH – Schoßbergstraße 26 – 65201 Wiesbaden

1 2 3 4 5



16	NT3936Q	1	TOP Q 140x70	TOP Q 140x70
15	NT4419	1	PIANO BASE TAP 140x70	BASE SHELF TAP 140x70
14	NT4151	2	COLLEGAMENTO MONTANTI P70	UPRIGHT CONNECTION P70
13	NT4149	2	FIANCO DX/SX TAVOLO SU FIANCHI/PASSANTE P70	RIGHT/LEFT SIDE TABLE ON SIDES P70
12	NT4147	4	MONTANTE ASOLATO	HOLED UPRIGHT
11	NT4144	4	PIASTRA RIV PIEDINO PORTA BATTENTE	PLATE EXTERNAL LEG HINGED DOOR
10	NT4033	1	OMEGA CENTR RIV. PIANO BASE P70	CENTRAL OMEGA BASE SHELF P70
9	NT4030	2	OMEGA LONGITUDINALE (DIV.2) L140	LONGITUDINAL OMEGA L140
8	NT3592	2	ANGOLARE SUPP. BINARIO L140	ANGULAR BINARY SUPPORT L140
7	NT3581	2	BINARIO TAVOLI ARMADIATI L140	BINARY L140
6	NT2450	2	OMEGA LATERALE PIANO BASE P70	LATERAL OMEGA BASE SHELF P70
5	NT1593	1	PIANO INTERNO REGOLABILE TAP TF 140x70	INTERNAL ADJUSTABLE SHELF TAP 140x70
4	NT330	4	STAFFA SUPPORTO RIPIANO INTERNO	GANCRIIP - INTERNAL SHELF SUPPORT BRACKET
3	NT185	2	OMEGA RINFORZO PIANO INTERNO L140	OMEGA SHELF RENINFORCEMENT L140
2	DSPIEDTA	4	PIEDINO PER TAVOLI ARMADIATI	FOOT FOR CABINET TABLES
1	APS_L140_H85	4	ASSIEME PORTE SCORREVOLI L140 H85	SLIDING DOORS ASSEMBLY L140 H85
ITEM NO	PART NUMBER	QTY	DESCRIPTION	

DATA DATE	MODIF. N. MODIF. NO.	DESCRIZIONE MODIFICHE MODIFICATION DESCRIPTION	DISegnATO DRAWN BY	APPROVATO APPROVED
			M.PAPI	
MODELLO MODEL	TAVOLO PASSANTE 140x70 OPEN TABLE SLIDING DOORS 140x70		DISEGNO N. DRAWING NO.	SCALA SCALE
			DSTAP147	-
PARTICOLARE DETAIL	SCHEDA TECNICA DATA SHEET		DISEGNATO DRAWN BY	DATA DATE
			M.PAPI	-
MATERIALE MATERIAL	SPESS. THICK.	APPROVATO APPROVED	SHEET 3 OF 3	
FINITURA FINISH	PEZZI N. PIECES NO.	SOSTITUISCE IL DIS. N. IT REPLACES DRAWING NO.		ULTIMA EMISS. LAST EDITION
TRATTAMENTO TREATMENT	COLORE COLOUR	SOSTITUITO DAL DIS. N. REPLACED BY DRAWING NO.		
		RISTOPRO SRL FRAZ. BORGO TUFICO, 47 FABRIANO (AN) ITALY +39.732.043494 WWW.RISTOPRO.COM		

ELABORATO CON SISTEMA CAD DESIGNED BY CADSTEM  
 QUOTA PRIMARIA PRIMARY DIMENSION XX  
 ANGOLI Angles 30°  
 >500 ±0.75  
 400-500 ±0.65  
 315-400 ±0.60  
 250-315 ±0.55  
 180-250 ±0.50  
 120-180 ±0.45  
 80-120 ±0.40  
 50-80 ±0.35  
 30-50 ±0.30  
 10-30 ±0.25  
 5-10 ±0.15  
 0-5 ±0.10  
 TOLLERANZA UNLESS OTHERWISE STATED  
 QUOTE SENZA TOLLERANZA  
 LUNGHEZZE E DIAM. LENGTH AND DIAM. mm  
 FORM.A-2