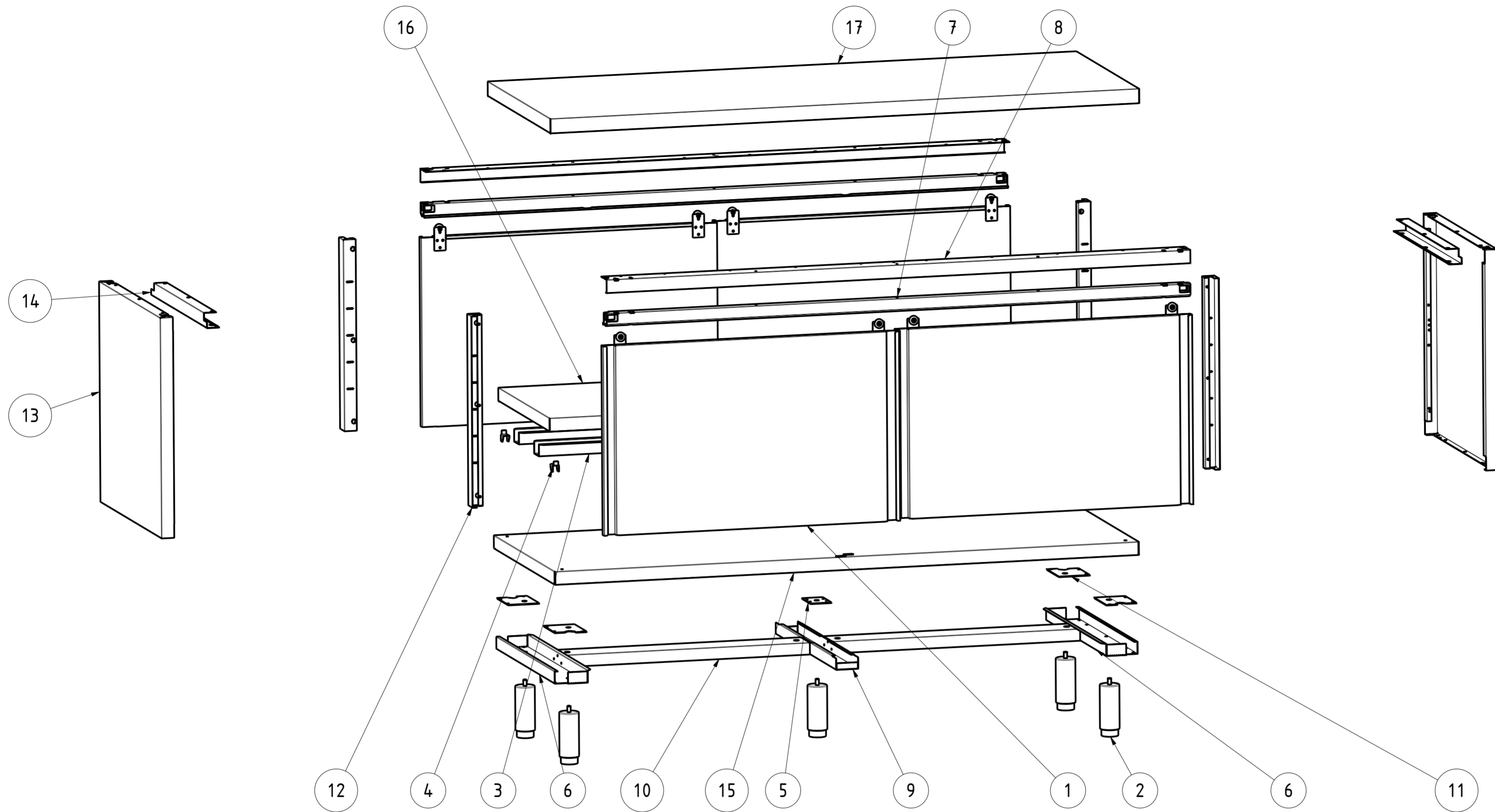


EXPLOSIONSZEICHNUNG



KBS Gastrotechnik GmbH – Schoßbergstraße 26 – 65201 Wiesbaden



17	NT3939Q	1	TOP Q 180x70	TOP Q 180x70
16	NT4568	1	PIANO INTERNO REGOLABILE TAP TF 180x70	INTERNAL ADJUSTABLE SHELF TAP 180x70
15	NT4423	1	PIANO BASE TAP 180x70	BASE SHELF TAP 180x70
14	NT4151	2	COLLEGAMENTO MONTANTI P70	UPRIGHT CONNECTION P70
13	NT4149	2	FIANCO DX/SX TAVOLO SU FIANCHI/PASSANTE P70	RIGHT/LEFT SIDE TABLE ON SIDES P70
12	NT4147	4	MONTANTE ASOLATO	HOLED UPRIGHT
11	NT4144	4	PIASTRA RIV PIEDINO PORTA BATTENTE	PLATE EXTERNAL LEG HINGED DOOR
10	NT4062	2	OMEGA LONGITUDINALE (DIV.2) L180	LONGITUDINAL OMEGA L180
9	NT4033	1	OMEGA CENTR RIV. PIANO BASE P70	CENTRAL OMEGA BASE SHELF P70
8	NT3596	2	ANGOLARE SUPP. BINARIO L180	ANGULAR BINARY SUPPORT L180
7	NT3585	2	BINARIO TAVOLI ARMADIATI L180	BINARY L180
6	NT2450	2	OMEGA LATERALE PIANO BASE P70	LATERAL OMEGA BASE SHELF P70
5	NT335	1	PIASTRA RINFORZO PER GAMBA CENTRALE	PLATE CENTRAL LEG
4	NT330	4	STAFFA SUPPORTO RIPIANO INTERNO	GANCRIIP - INTERNAL SHELF SUPPORT BRACKET
3	NT188	2	OMEGA RINFORZO PIANO INTERNO L180	OMEGA SHELF RENINFORCEMENT L180
2	DSPIEDTA	5	PIEDINO PER TAVOLI ARMADIATI	FOOT FOR CABINET TABLES
1	APS_L180_H85	4	ASSIEME PORTE SCORREVOLI L180 H85	SLIDING DOORS ASSEMBLY L180 H85
ITEM NO	PART NUMBER	QTY	DESCRIPTION	

DATA	MODIF. N.	DESCRIZIONE MODIFICHE	DISEGNATO	APPROVATO
DATE	MODIF. NO.	MODIFICATION DESCRIPTION	DRAWN BY	APPROVED
MODELLO	TAVOLO PASSANTE 180x70		DISSEGNO N.	SCALA
MODEL	OPEN TABLE SLIDING DOORS 180x70		DRAWING NO. DSTAP187	SCALE -
PARTICOLARE	SCHEDA TECNICA		DISEGNATO	DATA
DETAIL	DATA SHEET		DRAWN BY M.PAPI	DATE -
MATERIALE	SPESS.	APPROVATO	SHEET	
MATERIAL	THICK.	APPROVED	3 OF 4	
FINITURA	PEZZI N.	SOSTITUISCE IL DIS. N.	ULTIMA EMISS.	
FINISH	PIECES NO.	IT REPLACES DRAWING NO.	LAST EDITION	
TRATTAMENTO	COLORE	SOSTITUITO DAL DIS. N.		
TREATMENT	COLOR	REPLACED BY DRAWING NO.		
RISTOPRO		RISTOPRO SRL		
PROFESSIONAL CATERING EQUIPMENT		FRAZ. BORGO TUFICO, 47 FABRIANO (AN) ITALY +39.732.043494 WWW.RISTOPRO.COM		
				FORM.A-2

ELABORATO CON SISTEMA CAD
DESIGNED BY CAD\$TEM

QUOTA PRIMARIA
PRIMARY DIMENSION
XX

ANGOLI
Angles
30°

TOLLERANZA UNLESS OTHERWISE STATED

>500	±0.75
400-500	±0.65
315-400	±0.60
250-315	±0.55
180-250	±0.50
120-180	±0.45
80-120	±0.40
50-80	±0.35
30-50	±0.30
18-30	±0.25
10-18	±0.20
5-10	±0.15
0-5	±0.10

LUNGH. E DIAM.
LENGTH AND DIAM.
mm