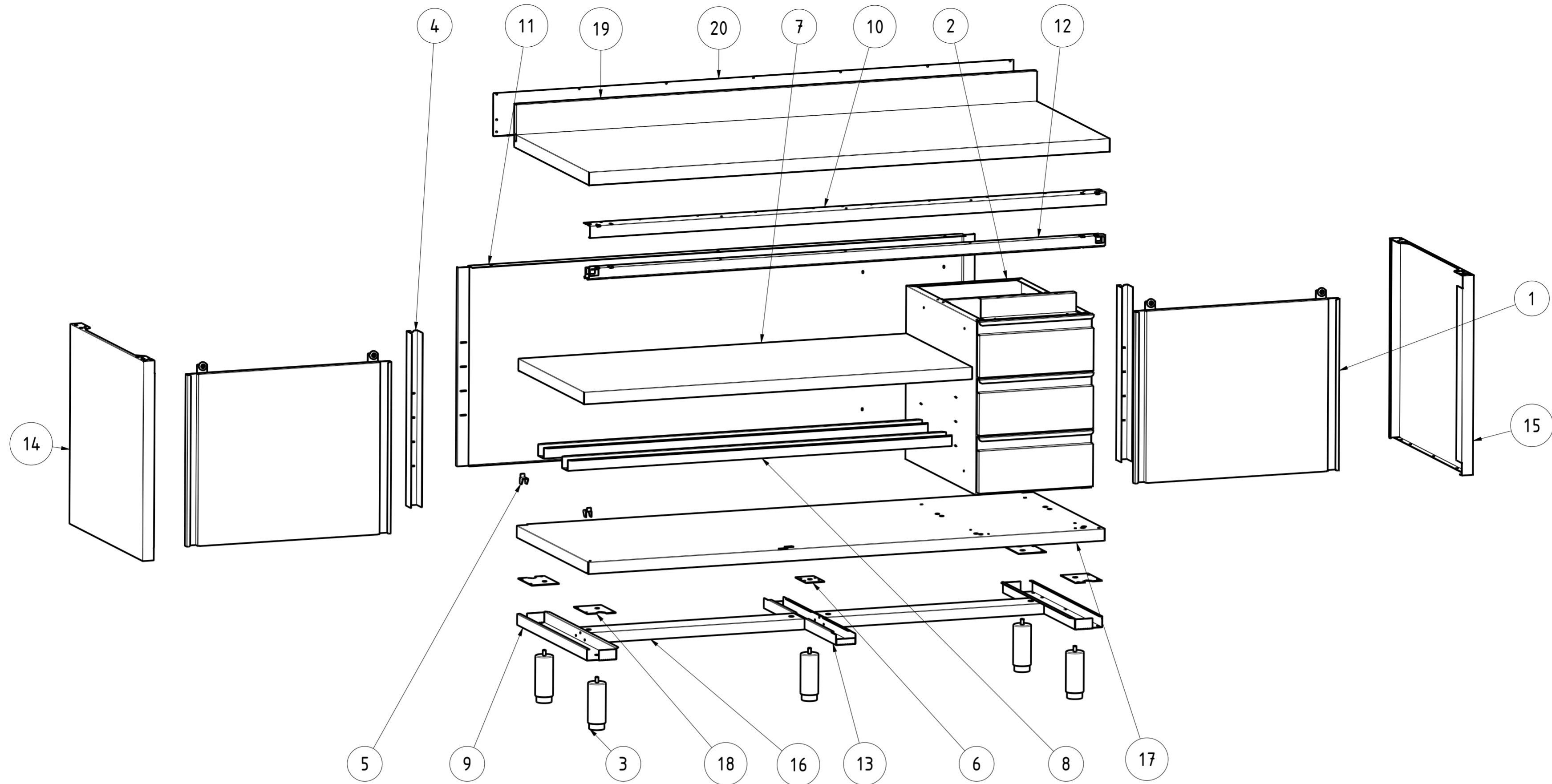


# EXPLOSIONSZEICHNUNG



KBS Gastrotechnik GmbH – Schoßbergstraße 26 – 65201 Wiesbaden



20	NT4016Q	1	CHIUSURA ALZATINA TOP Q L180	UPSTAND BACK TOP Q L180
19	NT3969Q	1	TOP Q CON ALZATINA 180x70	TOP Q UPSTAND 180x70
18	NT4144	4	PIASTRA RIV PIEDINO PORTA BATTENTE	PLATE EXTERNAL LEG HINGED DOOR
17	NT4097	1	PIANO BASE 3CD 180x70	BASE SHELF 180x70
16	NT4062	2	OMEGA LONGITUDINALE (DIV.2) L180	LONGITUDINAL OMEGA L180
15	NT4046	1	PANNELLO LATERALE DX P70 H85	RIGHT SIDE PANEL P70 H85
14	NT4044	1	PANNELLO LATERALE SX P70 H85	LEFT SIDE PANEL P70 H85
13	NT4033	1	OMEGA CENTR RIV. PIANO BASE P70	CENTRAL OMEGA BASE SHELF P70
12	NT3772	1	BINARIO TAVOLI ARMADIATI L180 CASS.RA DX	BINARY L180 RIGHT DRAWER
11	NT3758	1	SCHIENALE 3CD L190 H85	BACK L190 H85
10	NT3596	1	ANGOLARE SUPP. BINARIO L180	ANGULAR BINARY SUPPORT L180
9	NT2450	2	OMEGA LATERALE PIANO BASE P70	LATERAL OMEGA BASE SHELF P70
8	NT430	2	OMEGA RINFORZO PIANO INTERNO CASS. VERT. L180	OMEGA SHELF RENIFORCEMENT L180
7	NT424	1	PIANO INTERNO REGOLABILE 3CD/3CS 180x70	INTERNAL ADJUSTABLE SHELF 3CD/3CS 180x70
6	NT335	1	PIASTRA RINFORZO PER GAMBA CENTRALE	PLATE CENTRAL LEG
5	NT330	2	STAFFA SUPPORTO RIPIANO INTERNO	GANCRIIP - INTERNAL SHELF SUPPORT BRACKET
4	NT101	2	MONTANTE ASOLATO PER LATERALI H85	SLOTTED UPRIGHT H85
3	DSPIEDTA	5	PIEDINO PER TAVOLI ARMADIATI	FOOT FOR CABINET TABLES
2	DSC3CH_40-68-57	1	ASSIEME CASS.RA (DSTA) L40 P70 H57 (3 CASS)	DRAWER ASS. (DSTA) L40 P70 H57 (3 DRAW.)
1	APS_L140_H85	2	ASSIEME PORTE SCORREVOLI L140 H85	SLIDING DOORS ASSEMBLY L140 H85
ITEM NO	PART NUMBER	QTY	DESCRIPTION	

DATA DATE	MODIF. N. MODIF. NO.	DESCRIZIONE MODIFICHE MODIFICATION DESCRIPTION	DISegnATO DRAWN BY	APPROVATO APPROVED
MODELLO MODEL	TAVOLO ARMADIATO 3 CASSETTI DX 180x70 ALZATINA TABLE CABINET 3 DRAWERS RIGHT 180x70 UPSTAND		DISEGNO N. DRAWING NO. DSTA3CD187A	SCALA SCALE -
PARTICOLARE DETAIL	ESPLOSO EXPLODED VIEW		DISEGNATO DRAWN BY M.PAPI	DATA DATE -
MATERIALE MATERIAL	AISI 304 - AISI 430	SPES.S. THICK. -	APPROVATO APPROVED	SHEET 4 OF 5
FINITURA FINISH		PEZZI N. PIECES NO.	SOSTITUISCE IL DIS. N. IT REPLACES DRAWING NO.	ULTIMA EMISS. LAST EDITION
TRATTAMENTO TREATMENT		COLORE COLOUR	SOSTITUITO DAL DIS. N. REPLACED BY DRAWING NO.	
		RISTOPRO SRL FRAZ. BORGO TUFICO, 47 FABRIANO (AN) ITALY +39.732.043494 WWW.RISTOPRO.COM		 mm

ELABORATO CON SISTEMA CAD  
DESIGNED BY CAD/STEM

QUOTA PRIMARIA  
PRIMARY DIMENSION  
XX

ANGOLI  
Angles  
±0.30°

>500  
±0.75

400-500  
±0.65

315-400  
±0.60

250-315  
±0.55

180-250  
±0.50

120-180  
±0.45

80-120  
±0.40

50-80  
±0.35

30-50  
±0.30

10-30  
±0.25

5-10  
±0.15

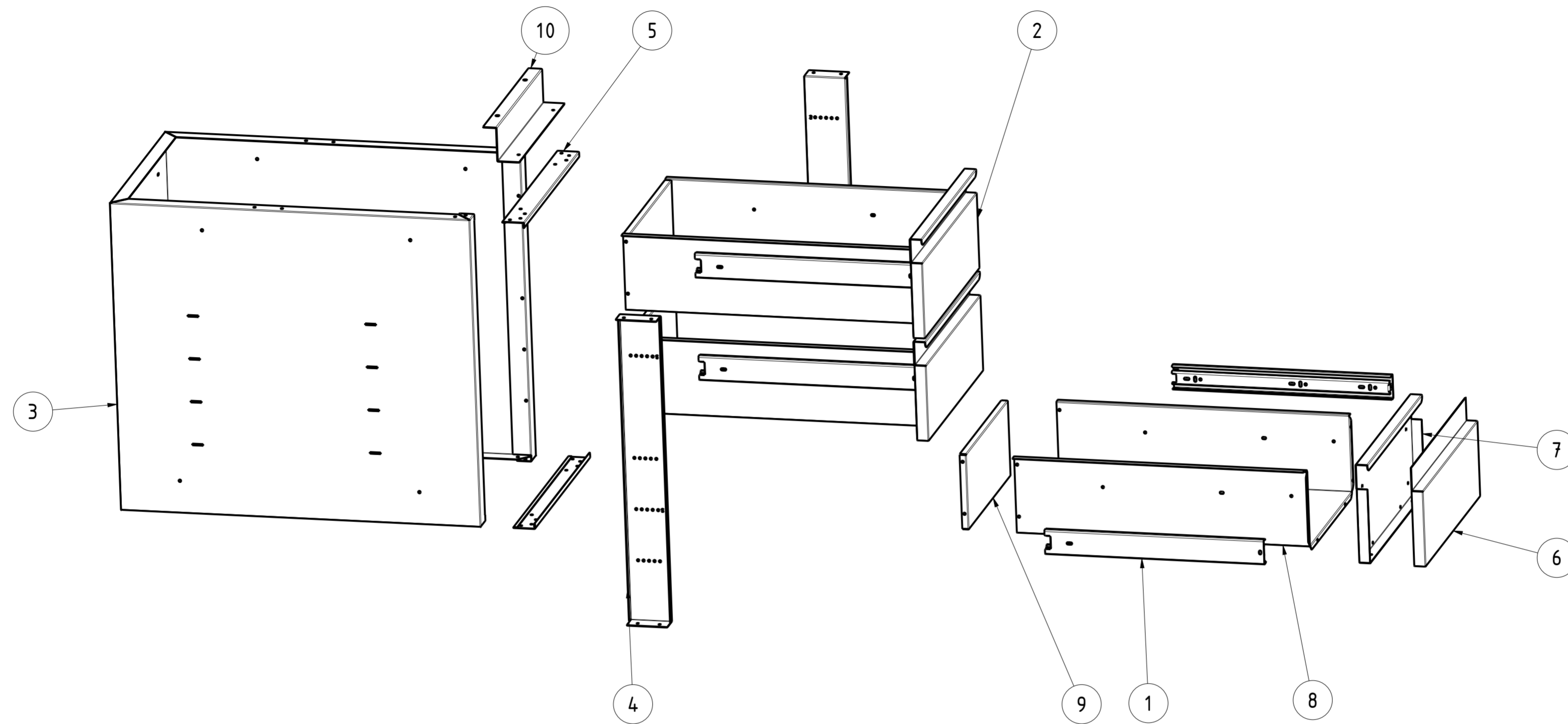
0-5  
±0.10

LUNGH. E DIAM.  
LENGTH AND DIAM.  
±0.10

TOLLERANZA UNLESS OTHERWISE STATED

QUOTE SENZA TOLLERANZA

FORM.A-2



10	NT3774	1	STAFFA STABILIZ. CASSETTIERA L40	DRAWER STABILIZER BRACKET L40
9	NT360	3	CHIUSURA VANO CASSETTO L40 H18.5	DRAWER CLOSING L40 H18.5
8	NT359	3	VANO CASSETTO L40 P60 H18.5	DRAWER COMPARTMENT L40 P60 H18.5
7	NT358	3	FRONTALE INTERNO CASSETTO L40 H18.5	INTERNAL DRAWER FRONT L40 H18.5
6	NT357	3	FRONTALE ESTERNO CASSETTO L40 H18.5	EXTERNAL DRAWER FRONT L40 H18.5
5	NT355	2	ANGOLARE CASSONE SUPERIORE L40	CORNER UPPER BOX CONNECTION L40
4	NT354	2	SUPPORTO VERTIC. GUIDE TELESCOPICHE	VERTICAL SUPPORT TELESCOPIC GUIDE
3	NT353	1	CASSONE CASSETTIERA L40 P70	EXTERNAL BOX DRAWERS L40 P70
2	DRAWER_DSTA_3C_40_58_18-5	3	ASS CASSETTO DSTA 3C L40 P60 H18.5	DRAWER ASSEMBLY DSTA 3C L40 P60 H18.5
1	ASS_GUIDA_CASSETTO	6	GUIDA PER CASSETTO	GUIDE FOR DRAWER
ITEM NO	PART NUMBER	QTY	DESCRIPTION	

DATA DATE	MODIF. N. MODIF. NO.	DESCRIZIONE MODIFICHE MODIFICATION DESCRIPTION	DISegnATO DRAWN BY	APPROVATO APPROVED
MODELLO MODEL	ASSIEME CASS. RA (DSTA) L40 P70 H57 (3 CASS) DRAWER ASS. (DSTA) L40 P70 H57 (3 DRAW.)		DISEGNO N. DRAWING NO. DSC3CH_40-68-57	SCALA SCALE -
PARTICOLARE DETAIL	ESPLOSO EXPLODED VIEW		DISEGNATO DRAWN BY M.PAPI	DATA DATE -
MATERIALE MATERIAL	AISI 304 - AISI 430	SPES. THICK. -	APPROVATO APPROVED	SHEET 5 OF 5
FINITURA FINISH		PEZZI N. PIECES NO.	SOSTITUISCE IL DIS. N. IT REPLACES DRAWING NO.	ULTIMA EMISS. LAST EDITION
TRATTAMENTO TREATMENT	COLORE COLOUR		SOSTITUITO DAL DIS. N. REPLACED BY DRAWING NO.	
		RISTOPRO SRL FRAZ. BORGO TUFICO, 47 FABRIANO (AN) ITALY +39.732.043494 WWW.RISTOPRO.COM		 mm

ELABORATO CON SISTEMA CAD  
DESIGNED BY CAD/STEM

QUOTA PRIMARIA  
PRIMARY DIMENSION  
XX

ANGOLI  
Angles  
30°

TOLLERANZA UNLESS OTHERWISE STATED	30-50	50-80	80-120	120-180	180-250	250-315	315-400	400-500	>500
±0.25	±0.30	±0.35	±0.40	±0.45	±0.50	±0.55	±0.60	±0.65	±0.75

QUOTE SENZA TOLLERANZA

LUNGH. E DIAM.  
LENGTH AND DIAM.  
±0.10