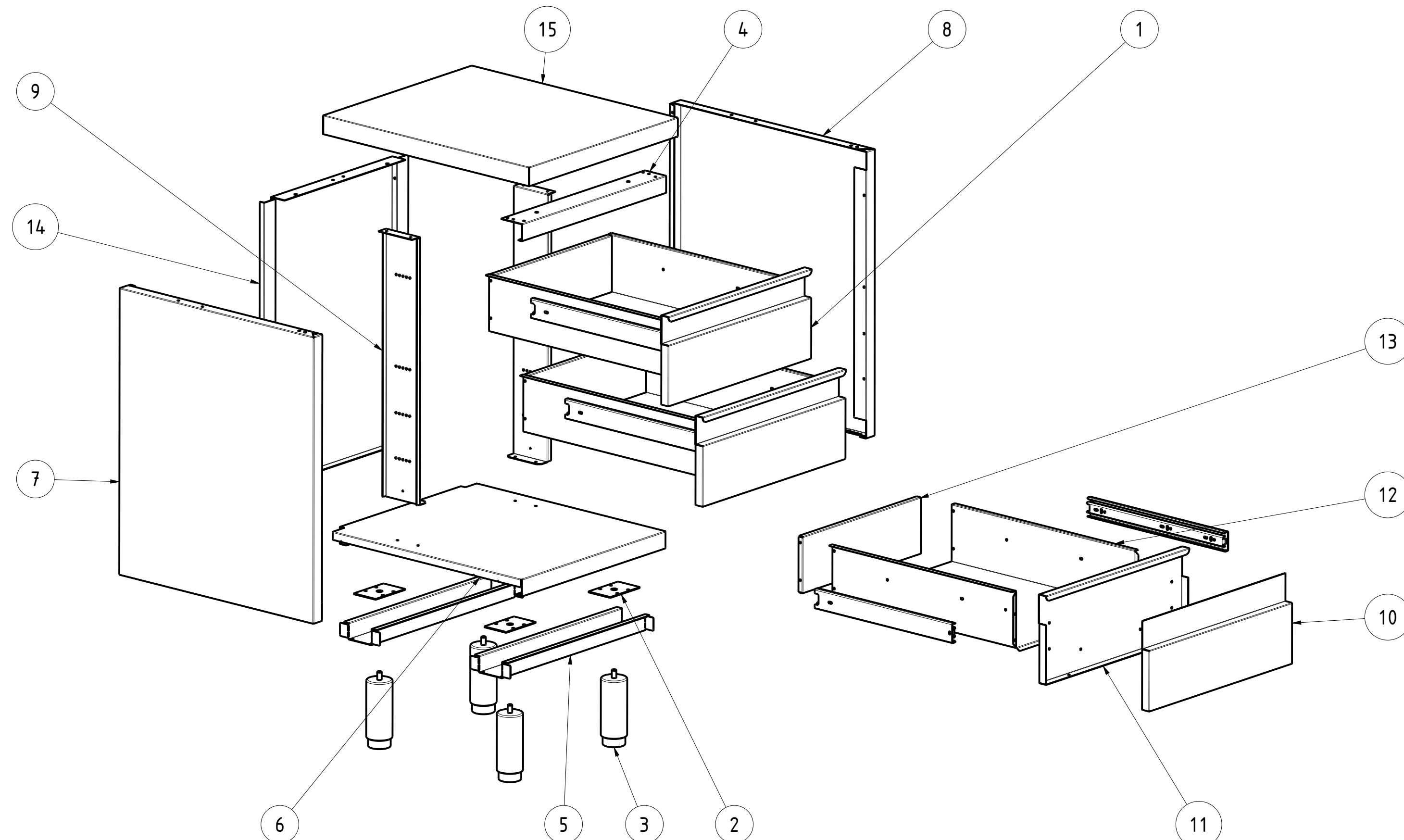


EXPLOSIONSZEICHNUNG



KBS Gastrotechnik GmbH – Schoßbergstraße 26 – 65201 Wiesbaden



15	NT3912Q	1	TOP Q 50x60	TOP Q 50x60
14	NT13734	1	SCHIENALE L50 H85	BACK L50 H85
13	NT12530	3	CHIUSURA VANO CASSETTO L50 H20.6	DRAWER CLOSING L50 H20.6
12	NT12529	3	VANO CASSETTO L50 P60 H20.6	DRAWER COMPARTMENT L50 P60 H20.6
11	NT12528	3	FRONTALE INTERNO CASSETTO L50 H20.6	INTERNAL DRAWER FRONT L50 H20.6
10	NT12527	3	FRONTALE ESTERNO CASSETTO L50 H20.6	EXTERNAL DRAWER FRONT L50 H20.6
9	NT12175	2	SUPPORTO VERTIC. GUIDE TELESCOPICHE 3 CASS H85	VERTICAL SUPPORT TELESCOPIC GUIDES 3 CASS H85
8	NT12170	1	PANNELLO LATERALE DX DSCT P60	RIGHT SIDE PANEL DSCT P60
7	NT12169	1	PANNELLO LATERALE SX DSCT P60	LEFT SIDE PANEL DSCT P60
6	NT2259	1	PIANO BASE 50x60	BASE SHELF 50x60
5	NT738	2	OMEGA RINFORZO PIANO BASE L50	BASE REINFORCEMENT L50
4	NT737	1	ANGOLARE L50	ANGULAR L50
3	NT391	4	PIEDINO PER TAVOLI ARMADIATI	FOOT FOR CABINET TABLES
2	NT335	4	PIASTRA RINFORZO PER GAMBA CENTRALE	PLATE CENTRAL LEG
1	DRAWER_DSCT_50_58_20-6	3	ASS CASSETTO DSCT L50 P60 H20.6	DRAWER ASSEMBLY DSCT L50 P60 H20.6
ITEM NO	PART NUMBER	QTY	DESCRIPTION	

DATA DATE	MODIF. N. MODIF. NO.	DESCRIZIONE MODIFICHE MODIFICATION DESCRIPTION	DISEGNATO DRAWN BY	APPROVATO APPROVED
MODELLO MODEL	MOBILE CASS. RA CON 3 CASS 50x60x85 DRAWER CABINET WITH 3 DRAWERS 50x60x85		DISEGNO N. DRAWING NO.	SCALA SCALE
PARTICOLARE DETAIL	ESPLOSO EXPLODED VIEW		DISEGNATO DRAWN BY	DATA DATE
MATERIALE MATERIAL	SPESS. THICK.	APPROVATO APPROVED	SHEET 5 OF 5	
FINITURA FINISH	PEZZI N. PIECES NO.	SOSTITUISCE IL DIS. N. IT REPLACES DRAWING NO.	ULTIMA EMISS. LAST EDITION	
TRATTAMENTO TREATMENT	COLORE COLOUR	SOSTITUITO DAL DIS. N. REPLACED BY DRAWING NO.		
RISTOPRO PROFESSIONAL CATERING EQUIPMENT		RISTOPRO SRL FRAZ. BORGO TUFICO, 47 FABRIANO (AN) ITALY +39.732.043494 WWW.RISTOPRO.COM		 mm

ELABORATO CON SISTEMA CAD DESIGNED BY CAD/STEM
 QUOTA PRIMARIA PRIMARY DIMENSION XX
 ANGOLI Angles 30°
 TOLLERANZA UNLESS OTHERWISE STATED
 >500 ±0.75
 400-500 ±0.65
 315-400 ±0.60
 250-315 ±0.55
 120-180 ±0.45
 80-120 ±0.40
 50-80 ±0.35
 30-50 ±0.30
 10-18 ±0.25
 5-10 ±0.15
 0-5 ±0.10
 LUNGHEZZE E DIAM. LENGTH AND DIAM.