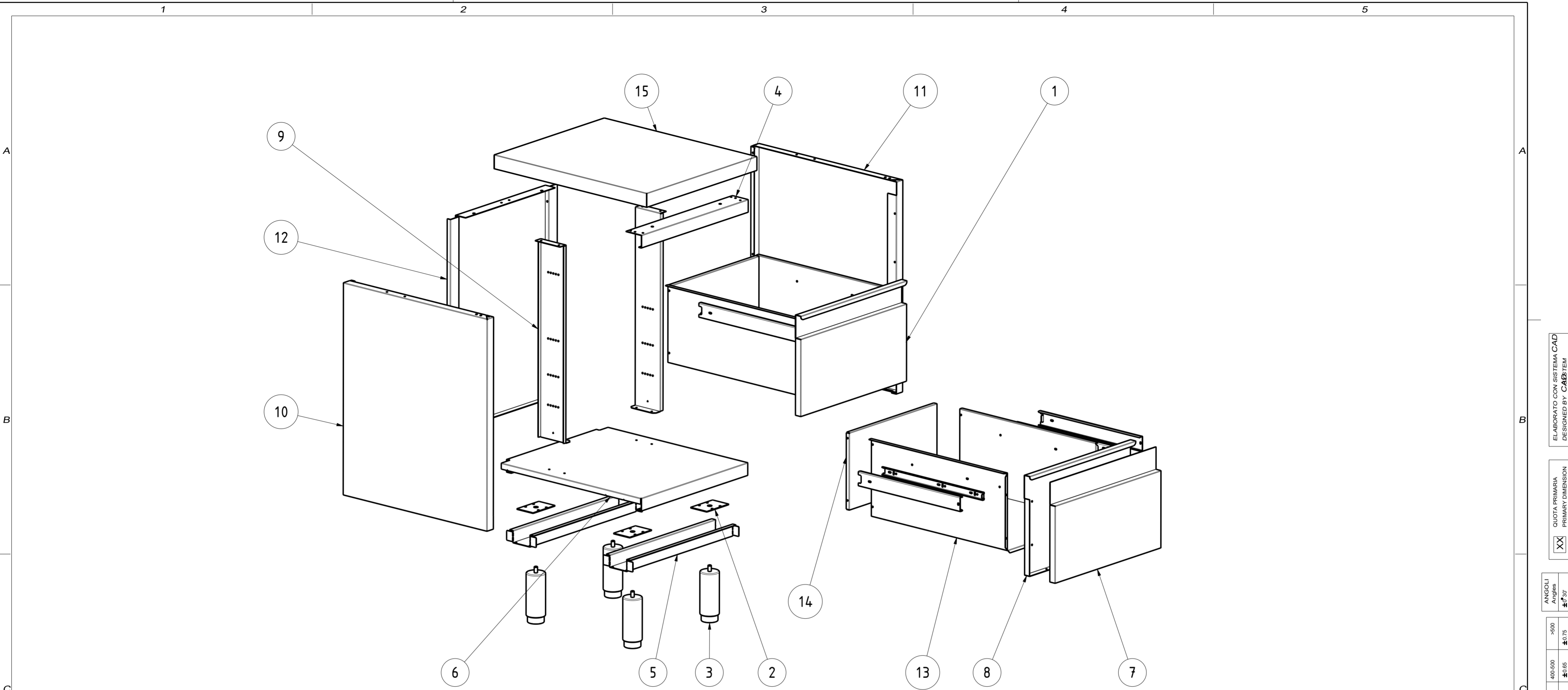


EXPLOSIONSZEICHNUNG



KBS Gastrotechnik GmbH – Schoßbergstraße 26 – 65201 Wiesbaden



15	NT3912Q	1	TOP Q 50x60	TOP Q 50x60
14	NT13953	2	CHIUSURA VANO CASSETTO L50 H31.2	DRAWER CLOSING L50 H31.2
13	NT13950	2	VANO CASSETTO L50 P60 H31.2	DRAWER COMPARTMENT L50 P60 H31.2
12	NT13734	1	SCHIENALE L50 H85	BACK L50 H85
11	NT13687	1	PANNELLO LATERALE DX DSCD P60	RIGHT SIDE PANEL DSCD P60
10	NT13685	1	PANNELLO LATERALE SX DSCD P60	LEFT SIDE PANEL DSCD P60
9	NT13684	2	SUPPORTO VERTIC. GUIDE TELESCOPICHE 2 CASS H85	VERTICAL SUPPORT TELESCOPIC GUIDES 2 DRAW H85
8	NT13683	2	FRONTALE INTERNO CASSETTO L50 H31.2	INTERNAL DRAWER FRONT L50 H31.2
7	NT13588	2	FRONTALE ESTERNO CASSETTO L50 H31.2	EXTERNAL DRAWER FRONT L50 H31.2
6	NT2259	1	PIANO BASE 50x60	BASE SHELF 50x60
5	NT738	2	OMEGA RINFORZO PIANO BASE L50	BASE REINFORCEMENT L50
4	NT737	1	ANGOLARE L50	ANGULAR L50
3	NT391	4	PIEDINO PER TAVOLI ARMADIATI	FOOT FOR CABINET TABLES
2	NT335	4	PIASTRA RINFORZO PER GAMBA CENTRALE	PLATE CENTRAL LEG
1	DRAWER_DSCD_50_58_31-2	2	ASS CASSETTO DSCD L50 P60 H31.2	DRAWER ASSEMBLY DSCD L50 P60 H31.2
ITEM NO	PART NUMBER	QTY	DESCRIPTION	

DATA DATE	MODIF. N. MODIF. NO.	DESCRIZIONE MODIFICHE MODIFICATION DESCRIPTION	DISegnATO DRAWN BY	APPROVATO APPROVED
MODELLO MODEL	MOBILE CASS RA CON 2 CASS 50x60x85 DRAWER CABINET WITH 2 DRAWERS 50x60x85		DISEGNO N. DRAWING NO.	SCALA SCALE
PARTICOLARE DETAIL	ESPLOSO EXPLODED VIEW		DISEGNATO DRAWN BY	DATA DATE
MATERIALE MATERIAL	AISI 304 - AISI 430	SPES. THICK.	APPROVATO APPROVED	SHEET 5 OF 5
FINITURA FINISH		PEZZI N. PIECES NO.	SOSTITUISCE IL DIS. N. IT REPLACES DRAWING NO.	ULTIMA EMISS. LAST EDITION
TRATTAMENTO TREATMENT	COLORE COLOUR	SOSTITUITO DAL DIS. N. REPLACED BY DRAWING NO.		
		RISTOPRO SRL FRAZ. BORGO TUFICO, 47 FABRIANO (AN) ITALY +39.732.043494 WWW.RISTOPRO.COM		 mm

ELABORATO CON SISTEMA CAD DESIGNED BY CADSTEM
 QUOTA PRIMARIA PRIMARY DIMENSION XX
 ANGOLI Angles 30°
 TOLLERANZA UNLESS OTHERWISE STATED
 QUOTE SENZA TOLLERANZA
 >500 ±0.75
 400-500 ±0.65
 315-400 ±0.60
 250-315 ±0.55
 120-180 ±0.45
 80-120 ±0.40
 50-80 ±0.35
 30-50 ±0.30
 10-18 ±0.25
 5-10 ±0.15
 0-5 ±0.10
 LUNGHEZZE E DIAM. LENGTH AND DIAM.