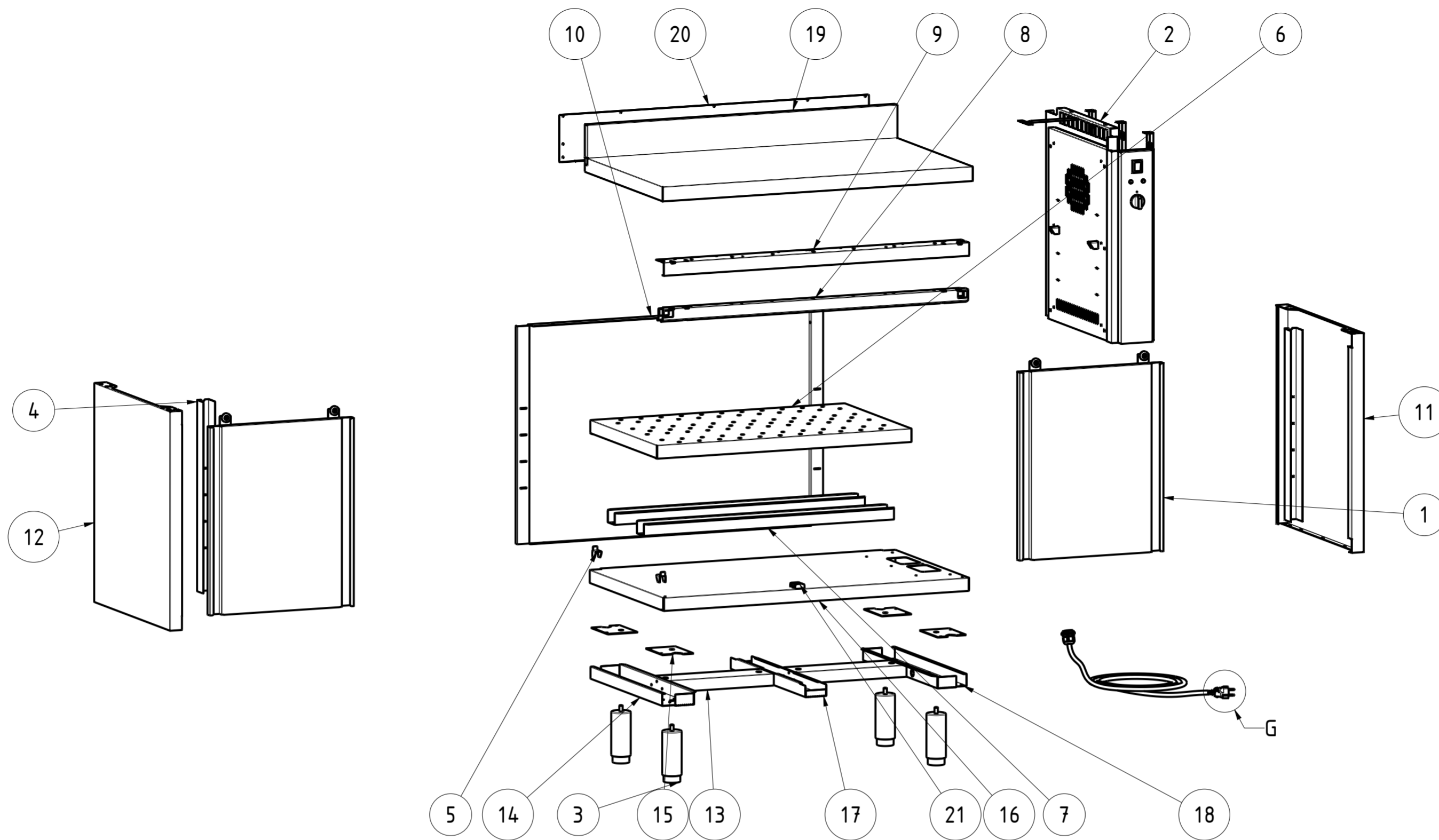


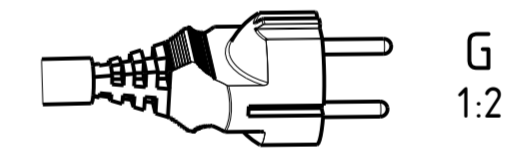
EXPLOSIONSZEICHNUNG



KBS Gastrotechnik GmbH – Schoßbergstraße 26 – 65201 Wiesbaden



21	TACCHDSTA	2	TACCHETTO GUIDA PORTE	SLIDING DOOR GUIDE
20	NT4009Q	1	CHIUSURA ALZATINA TOP Q L100	UPSTAND BACK TOP Q L100
19	NT3947Q	1	TOP Q CON ALZATINA 100x60	TOP Q UPSTAND 100x60
18	NT13927	1	OMEGA LATERALE PIANO BASE TAVOLO CALDO P60 RUOTE MONTATE	LATERAL OMEGA BASE SHELF HOTTED P60 WHEEL
17	NT10973	1	OMEGA CENTR RIV. PIANO BASE P60 RM	CENTRAL OMEGA BASE SHELF P60 RM
16	NT5666	1	PIANO BASE CALDO 100x60	BASE SHELF 100x60
15	NT4144	4	PIASTRA RIV PIEDINO PORTA BATTENTE	PLATE EXTERNAL LEG HINGED DOOR
14	NT4085	1	OMEGA LATERALE PIANO BASE P60 RUOTE MONTATE	LATERAL OMEGA BASE SHELF P60 WHEEL
13	NT4056	2	OMEGA LONGITUDINALE (DIV.2) L100	LONGITUDINAL OMEGA L100
12	NT4042	1	PANNELLO LATERALE SX P60 H85	LEFT SIDE PANEL P60 H85
11	NT4041	1	PANNELLO LATERALE DX CALDO P60 H85	RIGHT SIDE PANEL P60 H85
10	NT3628	1	SCHIENALE L100 H85	BACK L100 H85
9	NT3588	1	ANGOLARE SUPP. BINARIO L100	ANGULAR BINARY SUPPORT L100
8	NT3577	1	BINARIO TAVOLI ARMADIATI L100	BINARY L100
7	NT919	2	OMEGA RINFORZO PIANO INTERNO TAC TACP L100	OMEGA SHELF RENINFORCEMENT L100
6	NT918	1	PIANO INTERNO REGOLABILE TAC 100x60	INTERNAL ADJUSTABLE SHELF TAC 100x60
5	NT330	2	STAFFA SUPPORTO RIPIANO INTERNO	GANCRIIP - INTERNAL SHELF SUPPORT BRACKET
4	NT101	2	MONTANTE ASOLATO PER LATERALI H85	SLOTTED UPRIGHT H85
3	DSPIEDTA	4	PIEDINO PER TAVOLI ARMADIATI	FOOT FOR CABINET TABLES
2	ASS_GRUPPO_CALDO_60_PSH	1	ASSIEME GRUPPO CALDO P60 SCHUKO	HOT GROUP ASSEMBLY P60 SCHUKO
1	APS_L100_H85_HOT	2	ASSIEME PORTE SCORREVOLI L100 H85 TAV CALDO	SLIDING DOORS ASSEMBLY HEATED L100 H85
ITEM NO	PART NUMBER	QTY	DESCRIPTION	



DATA	MODIF. N.	DESCRIZIONE MODIFICHE	DESIGNATO	APPROVATO
DATE	MODIF. NO.	MODIFICATION DESCRIPTION	DRAWN BY	APPROVED
MODELLO	TAVOLO ARMADIATO CALDO 100x60 SCHUKO ALZATINA		DISEGNO N.	SCALA
MODEL	HOT TABLE CABINET 100x60 SCHUKO UPSTAND		DRAWING NO.	DSTAC106APSH
PARTICOLARE	ESPLOSO		DISEGNATO	DATA
DETAIL	EXPLODED VIEW		DRAWN BY	DATE
MATERIALE	AISI 304 - AISI 430	SPESS. THICK.	APPROVATO	SHEET
FINITURA		PEZZI N. PIECES NO.	APPROVED	3 OF 3
TRATTAMENTO		COLORE COLOUR	SOSTITUISCE IL DIS. N. IT REPLACES DRAWING NO.	ULTIMA EMISS. LAST EDITION
			SOSTITUITO DAL DIS. N. REPLACED BY DRAWING NO.	
		RISTOPRO SRL FRAZ. BORGO TUFICO, 47 FABRIANO (AN) ITALY +39.732.043494 WWW.RISTOPRO.COM		 mm

ELABORATO CON SISTEMA CAD
DESIGNED BY CADSTEM

QUOTA PRIMARIA
PRIMARY DIMENSION
XX

ANGOLI
Angles
30°

TOLLERANZA UNLESS OTHERWISE STATED

>500	±0.75
400-500	±0.65
315-400	±0.60
250-315	±0.55
180-250	±0.50
120-180	±0.45
80-120	±0.40
50-80	±0.35
30-50	±0.30
10-30	±0.25
5-10	±0.15
0-5	±0.10

LUNGHEZZA E DIAM.
LENGTH AND DIAM.
FORM.A-2