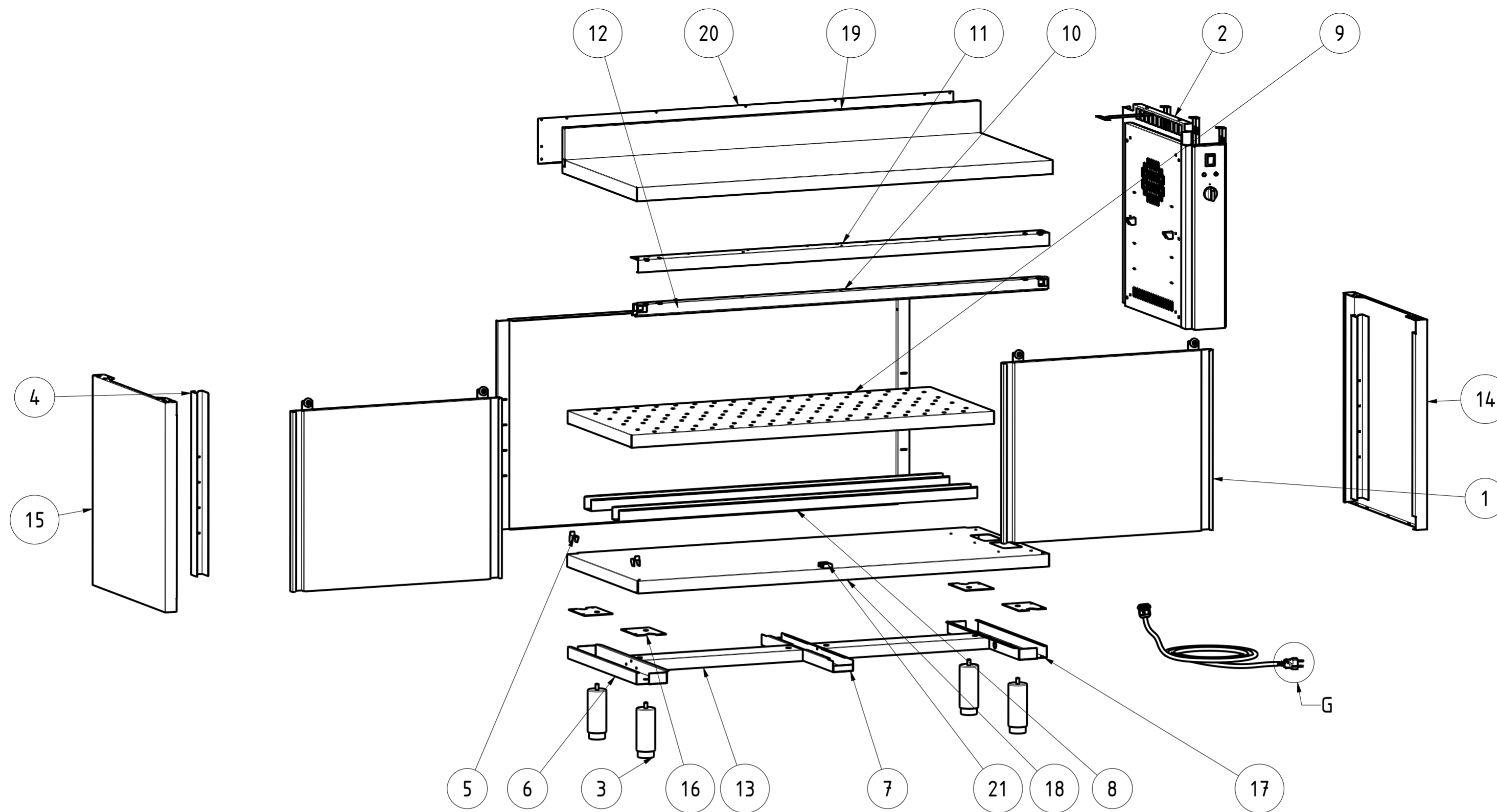


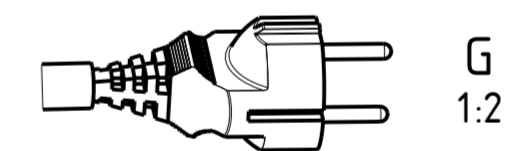
EXPLOSIONSZEICHNUNG



KBS Gastrotechnik GmbH – Schoßbergstraße 26 – 65201 Wiesbaden



21	TACCHDSTA	2	TACCHETTO GUIDA PORTE	SLIDING DOOR GUIDE
20	NT4013Q	1	CHIUSURA ALZATINA TOP Q L140	UPSTAND BACK TOP Q L140
19	NT3951Q	1	TOP Q CON ALZATINA 140x60	TOP Q UPSTAND 140x60
18	NT4944	1	PIANO BASE CALDO 140x60	BASE SHELF 140x60
17	NT4277	1	OMEGA LATERALE PIANO BASE TAVOLO CALDO P60	LATERAL OMEGA BASE SHELF HOTTED P60
16	NT4144	4	PIASTRA RIV PIEDINO PORTA BATTENTE	PLATE EXTERNAL LEG HINGED DOOR
15	NT4042	1	PANNELLO LATERALE SX P60 H85	LEFT SIDE PANEL P60 H85
14	NT4041	1	PANNELLO LATERALE DX CALDO P60 H85	RIGHT SIDE PANEL P60 H85
13	NT4030	2	OMEGA LONGITUDINALE (DIV.2) L140	LONGITUDINAL OMEGA L140
12	NT3632	1	SCHIENALE L140 H85	BACK L140 H85
11	NT3592	1	ANGOLARE SUPP. BINARIO L140	ANGULAR BINARY SUPPORT L140
10	NT3581	1	BINARIO TAVOLI ARMADIATI L140	BINARY L140
9	NT3108	1	PIANO INTERNO REGOLABILE TAC 140x60	INTERNAL ADJUSTABLE SHELF TAC 140x60
8	NT2934	2	OMEGA RINFORZO PIANO INTERNO TAC TACP L140	OMEGA SHELF RENINFORCEMENT L140
7	NT2353	1	OMEGA CENTR RIV. PIANO BASE P60	CENTRAL OMEGA BASE SHELF P60
6	NT2351	1	OMEGA LATERALE PIANO BASE P60	LATERAL OMEGA BASE SHELF P60
5	NT330	2	STAFFA SUPPORTO RIPIANO INTERNO	GANCRIIP - INTERNAL SHELF SUPPORT BRACKET
4	NT101	2	MONTANTE ASOLATO PER LATERALI H85	SLOTTED UPRIGHT H85
3	DSPIEDTA	4	PIEDINO PER TAVOLI ARMADIATI	FOOT FOR CABINET TABLES
2	ASS_GRUPPO_CALDO_60_PSH	1	ASSIEME GRUPPO CALDO P60 SCHUKO	HOT GROUP ASSEMBLY P60 SCHUKO
1	APS_L140_H85	2	ASSIEME PORTE SCORREVOLI L140 H85	SLIDING DOORS ASSEMBLY L140 H85
ITEM NO	PART NUMBER	QTY	DESCRIPTION	



DATA DATE	MODIF. N. MODIF. NO.	DESCRIZIONE MODIFICHE MODIFICATION DESCRIPTION	DISegnATO DRAWN BY	APPROVATO APPROVED
MODELLO MODEL	TAVOLO ARMADIATO CALDO 140x60 SCHUKO ALZATINA HOT TABLE CABINET 140x60 SCHUKO UPSTAND		DISEGNO N. DRAWING NO.	SCALA SCALE
PARTICOLARE DETAIL	ESPLOSO EXPLODED VIEW		DISEGNATO DRAWN BY	DATA DATE
MATERIALE MATERIAL	AISI 304 - AISI 430	SPES. THICK.	APPROVATO APPROVED	SHEET 3 OF 3
FINITURA FINISH		PEZZI N. PIECES NO.	SOSTITUISCE IL DIS. N. IT REPLACES DRAWING NO.	ULTIMA EMISS. LAST EDITION
TRATTAMENTO TREATMENT		COLORE COLOUR	SOSTITUITO DAL DIS. N. REPLACED BY DRAWING NO.	
		RISTOPRO SRL FRAZ. BORGO TUFICO, 47 FABRIANO (AN) ITALY +39.732.043494 WWW.RISTOPRO.COM		 mm

ELABORATO CON SISTEMA CAD
DESIGNED BY CADSTEM

QUOTA PRIMARIA
PRIMARY DIMENSION
XX

ANGOLI
Angles
30° ±0.30°

TOLLERANZA UNLESS OTHERWISE STATED

>500	±0.75
400-500	±0.65
315-400	±0.60
250-315	±0.55
180-250	±0.50
120-180	±0.45
80-120	±0.40
50-80	±0.35
30-50	±0.30
10-30	±0.25
5-10	±0.15
0-5	±0.10

LUNGH. E DIAM.
LENGTH AND DIAM.
mm

FORM.A-2