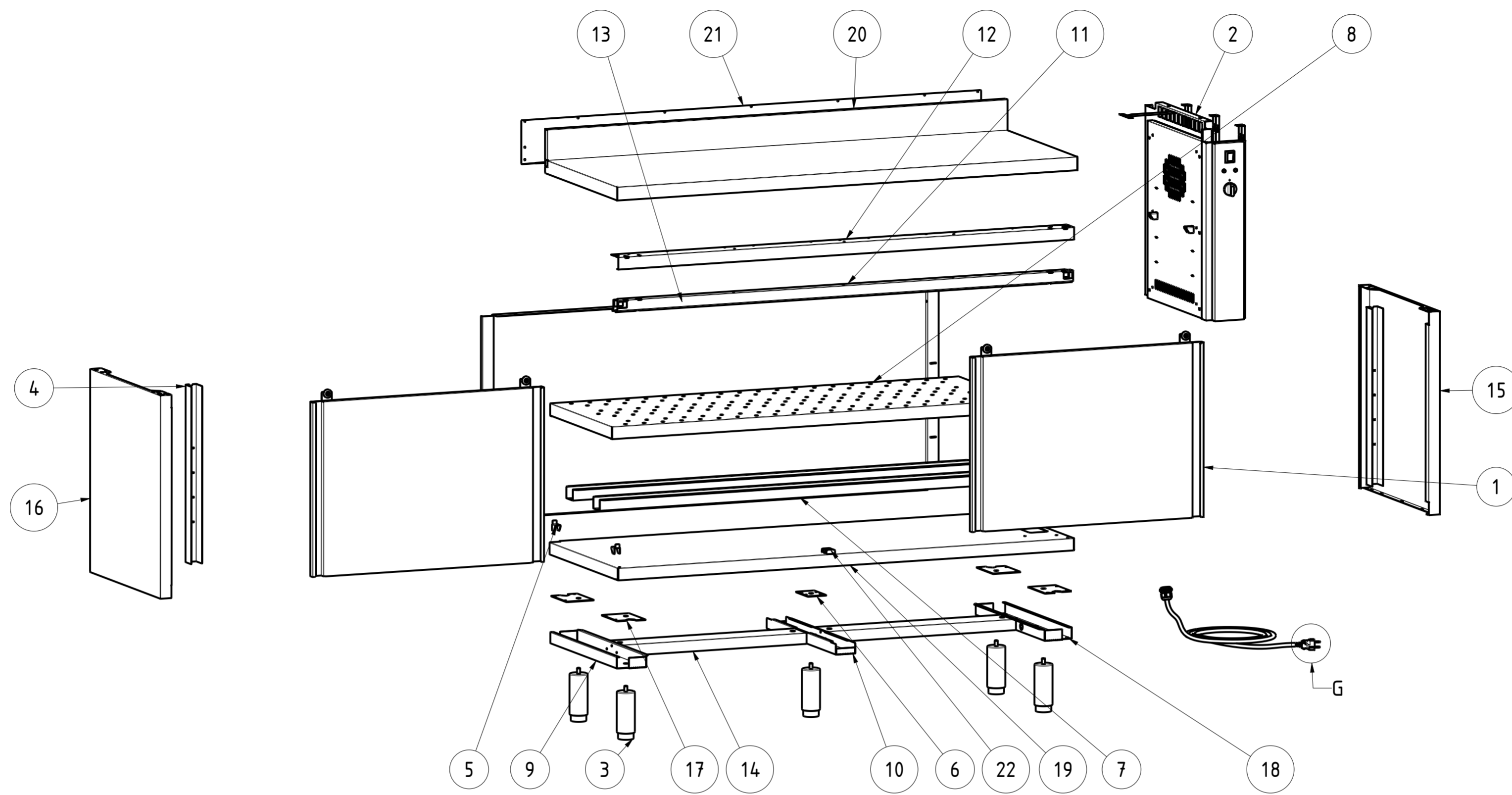


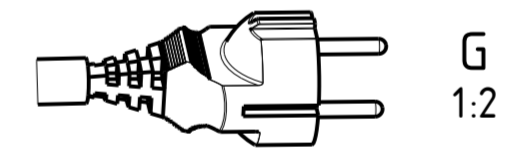
EXPLOSIONSZEICHNUNG



KBS Gastrotechnik GmbH – Schoßbergstraße 26 – 65201 Wiesbaden



22	TACCHDSTA	2	TACCHETTO GUIDA PORTE	SLIDING DOOR GUIDE
21	NT4015Q	1	CHIUSURA ALZATINA TOP Q L160	UPSTAND BACK TOP Q L160
20	NT3953Q	1	TOP Q CON ALZATINA 160x60	TOP Q UPSTAND 160x60
19	NT5973	1	PIANO BASE CALDO 160x60	BASE SHELF 160x60
18	NT4277	1	OMEGA LATERALE PIANO BASE TAVOLO CALDO P60	LATERAL OMEGA BASE SHELF HOTTED P60
17	NT4144	4	PIASTRA RIV PIEDINO PORTA BATTENTE	PLATE EXTERNAL LEG HINGED DOOR
16	NT4042	1	PANNELLO LATERALE SX P60 H85	LEFT SIDE PANEL P60 H85
15	NT4041	1	PANNELLO LATERALE DX CALDO P60 H85	RIGHT SIDE PANEL P60 H85
14	NT4029	2	OMEGA LONGITUDINALE L160	LONGITUDINAL OMEGA L160
13	NT3634	1	SCHIENALE L160 H85	BACK L160 H85
12	NT3594	1	ANGOLARE SUPP. BINARIO L160	ANGULAR BINARY SUPPORT L160
11	NT3583	1	BINARIO TAVOLI ARMADIATI L160	BINARY L160
10	NT2353	1	OMEGA CENTR RIV. PIANO BASE P60	CENTRAL OMEGA BASE SHELF P60
9	NT2351	1	OMEGA LATERALE PIANO BASE P60	LATERAL OMEGA BASE SHELF P60
8	NT2349	1	PIANO INTERNO REGOLABILE TAC 160x60	INTERNAL ADJUSTABLE SHELF TAC 160x60
7	NT1144	2	OMEGA RINFORZO PIANO INTERNO TAC TACP L160	OMEGA SHELF RENINFORCEMENT L160
6	NT335	1	PIASTRA RINFORZO PER GAMBA CENTRALE	PLATE CENTRAL LEG
5	NT330	2	STAFFA SUPPORTO RIPIANO INTERNO	GANCRIIP - INTERNAL SHELF SUPPORT BRACKET
4	NT101	2	MONTANTE ASOLATO PER LATERALI H85	SLOTTED UPRIGHT H85
3	DSPIEDTA	5	PIEDINO PER TAVOLI ARMADIATI	FOOT FOR CABINET TABLES
2	ASS_GRUPPO_CALDO_60_PSH	1	ASSIEME GRUPPO CALDO P60 SCHUKO	HOT GROUP ASSEMBLY P60 SCHUKO
1	APS_L160_H85	2	ASSIEME PORTE SCORREVOLI L160 H85	SLIDING DOORS ASSEMBLY L160 H85
ITEM NO	PART NUMBER	QTY	DESCRIPTION	



DATA	MODIF. N.	DESCRIZIONE MODIFICHE	DISegnATO	APPROVATO
DATE	MODIF. NO.	MODIFICATION DESCRIPTION	DRAWN BY	APPROVED
MODELLO	TAVOLO ARMADIATO CALDO 160x60 SCHUKO ALZATINA		DISegno N.	SCALA
MODEL	HOT TABLE CABINET 160x60 SCHUKO UPSTAND		DSTAC166APSH	-
PARTICOLARE	ESPLOSO		DISegnATO	DATA
DETAIL	EXPLODED VIEW		M.PAPI	-
MATERIALE	AISI 304 - AISI 430	SPess.	APPROVATO	SHEET
FINITURA		THICK.	APPROVED	3 OF 3
TRATTAMENTO		PEZZI N.	SOSTITUISCE IL DIS. N.	ULTIMA EMISS.
TREATMENT		PIECES NO.	IT REPLACES DRAWING NO.	LAST EDITION
	COLORE		SOSTITUITO DAL DIS. N.	
	COLOR		REPLACED BY DRAWING NO.	
RISTOPRO		RISTOPRO SRL		 mm
PROFESSIONAL CATERING EQUIPMENT		FRAZ. BORGO TUFICO, 47 FABRIANO (AN)		
		ITALY +39.732.043494		
		WWW.RISTOPRO.COM		FORM.A-2

ELABORATO CON SISTEMA CAD
 DESIGNED BY CADSTEM
 QUOTA PRIMARIA
 PRIMARY DIMENSION
 XX
 ANGOLI
 Angles
 30°
 >500
 ±0.75
 400-500
 ±0.65
 315-400
 ±0.60
 250-315
 ±0.55
 120-180
 ±0.45
 80-120
 ±0.40
 50-80
 ±0.35
 30-50
 ±0.30
 10-18
 ±0.20
 5-10
 ±0.15
 0-5
 ±0.10
 LUNGHEZZE E DIAMETRI
 LENGTH AND DIAM.
 TOLLERANZA UNLESS OTHERWISE STATED
 QUOTE SENZA TOLLERANZA