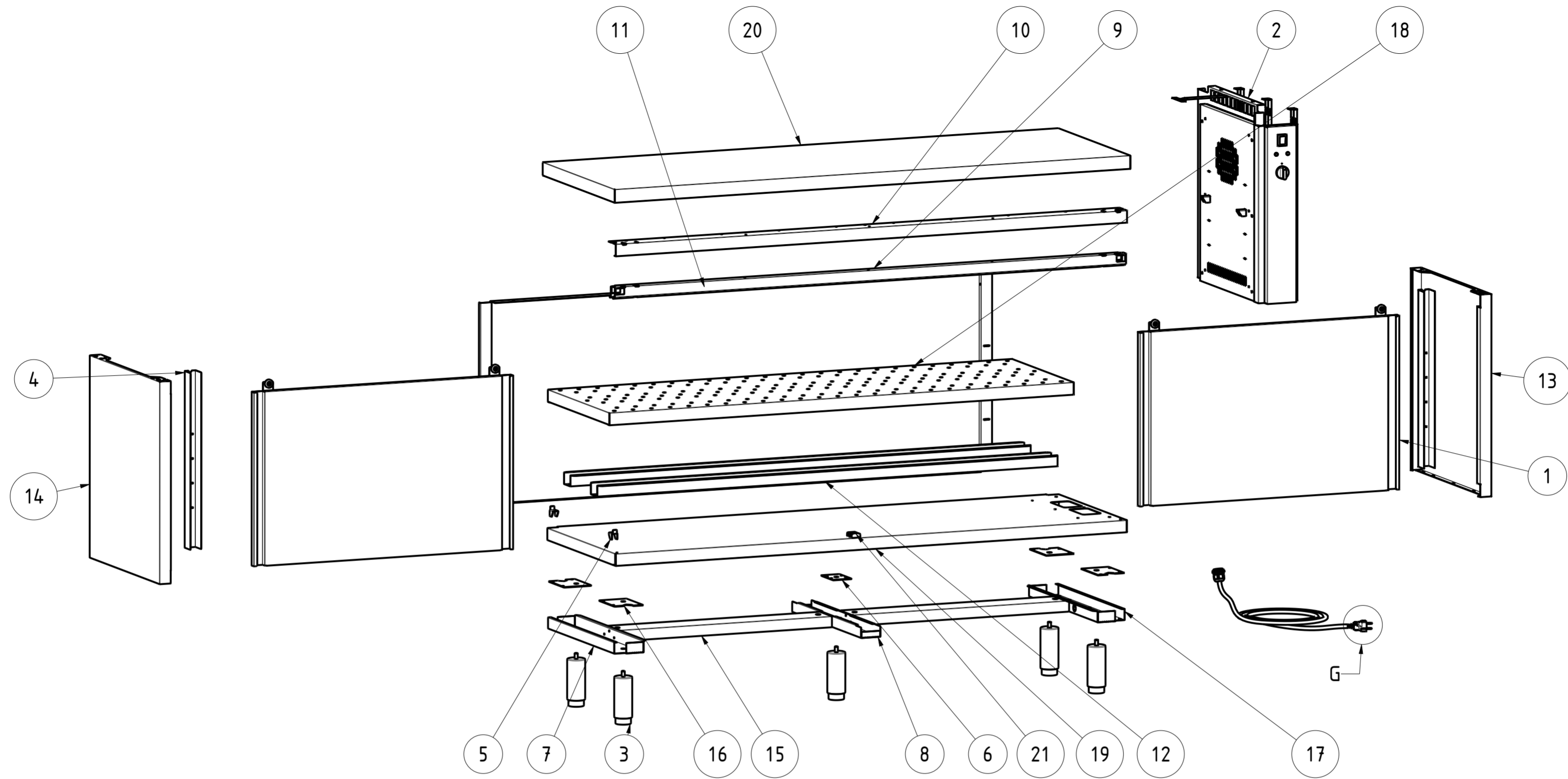


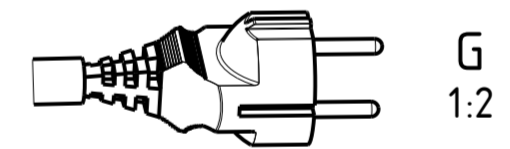
# EXPLOSIONSZEICHNUNG



KBS Gastrotechnik GmbH – Schoßbergstraße 26 – 65201 Wiesbaden



21	TACCHDSTA	2	TACCHETTO GUIDA PORTE	SLIDING DOOR GUIDE
20	NT3924Q	1	TOP Q 180x60	TOP Q 180x60
19	NT4919	1	PIANO BASE CALDO 180x60	BASE SHELF 180x60
18	NT4609	1	PIANO INTERNO REGOLABILE TAC 180x60	INTERNAL ADJUSTABLE SHELF TAC 180x60
17	NT4277	1	OMEGA LATERALE PIANO BASE TAVOLO CALDO P60	LATERAL OMEGA BASE SHELF HOTTED P60
16	NT4144	4	PIASTRA RIV PIEDINO PORTA BATTENTE	PLATE EXTERNAL LEG HINGED DOOR
15	NT4062	2	OMEGA LONGITUDINALE (DIV.2) L180	LONGITUDINAL OMEGA L180
14	NT4042	1	PANNELLO LATERALE SX P60 H85	LEFT SIDE PANEL P60 H85
13	NT4041	1	PANNELLO LATERALE DX CALDO P60 H85	RIGHT SIDE PANEL P60 H85
12	NT3726	2	OMEGA RINFORZO PIANO INTERNO TAC TACP L180	OMEGA SHELF RENINFORCEMENT L180
11	NT3636	1	SCHIENALE L180 H85	BACK L180 H85
10	NT3596	1	ANGOLARE SUPP. BINARIO L180	ANGULAR BINARY SUPPORT L180
9	NT3585	1	BINARIO TAVOLI ARMADIATI L180	BINARY L180
8	NT2353	1	OMEGA CENTR RIV. PIANO BASE P60	CENTRAL OMEGA BASE SHELF P60
7	NT2351	1	OMEGA LATERALE PIANO BASE P60	LATERAL OMEGA BASE SHELF P60
6	NT335	1	PIASTRA RINFORZO PER GAMBA CENTRALE	PLATE CENTRAL LEG
5	NT330	2	STAFFA SUPPORTO RIPIANO INTERNO	GANCRIPI - INTERNAL SHELF SUPPORT BRACKET
4	NT101	2	MONTANTE ASOLATO PER LATERALI H85	SLOTTED UPRIGHT H85
3	DSPIEDTA	5	PIEDINO PER TAVOLI ARMADIATI	FOOT FOR CABINET TABLES
2	ASS_GRUPPO_CALDO_60_PSH	1	ASSIEME GRUPPO CALDO P60 SCHUKO	HOT GROUP ASSEMBLY P60 SCHUKO
1	APS_L180_H85	2	ASSIEME PORTE SCORREVOLI L180 H85	SLIDING DOORS ASSEMBLY L180 H85
ITEM NO	PART NUMBER	QTY	DESCRIPTION	



DATA DATE	MODIF. N. MODIF. NO.	DESCRIZIONE MODIFICHE MODIFICATION DESCRIPTION	DISEGNATO DRAWN BY	APPROVATO APPROVED
MODELLO MODEL	TAVOLO ARMADIATO CALDO 180x60 SCHUKO HOT TABLE CABINET 180x60 SCHUKO		DISSEGNO N. DRAWING NO.	SCALA SCALE
PARTICOLARE DETAIL	ESPLOSO EXPLODED VIEW		DISEGNATO DRAWN BY	DATA DATE
MATERIALE MATERIAL	AISI 304 - AISI 430	SPESS. THICK.	-	APPROVATO APPROVED
FINITURA FINISH		PEZZI N. PIECES NO.		SHEET 3 OF 3
TRATTAMENTO TREATMENT		COLORE COLOUR		SOSTITUISCE IL DIS. N. IT REPLACES DRAWING NO.
				SOSTITUITO DAL DIS. N. REPLACED BY DRAWING NO.
RISTOPRO		RISTOPRO SRL		ULTIMA EMISS. LAST EDITION
PROFESSIONAL CATERING EQUIPMENT		FRAZ. BORGO TUFICO, 47 FABRIANO (AN)		
		ITALY +39.732.043494		
		WWW.RISTOPRO.COM		
				mm

ELABORATO CON SISTEMA CAD  
DESIGNED BY CAD/TEM

QUOTA PRIMARIA  
PRIMARY DIMENSION  
XX

ANGOLI  
Angles  
30°

>500  
±0.75  
400-500  
±0.65  
315-400  
±0.60  
250-315  
±0.55

TOLLERANZA UNLESS OTHERWISE STATED  
180-250  
±0.50  
120-180  
±0.45  
80-120  
±0.40  
50-80  
±0.35  
30-50  
±0.30  
10-30  
±0.25

5-10  
±0.15  
0-5  
±0.10

LUNGHEZZE E DIAM.  
LENGTH AND DIAM.  
mm  
FORM.A-2