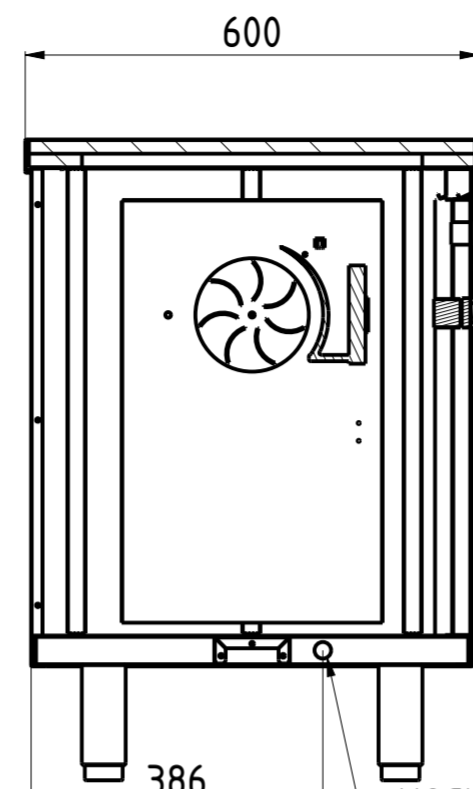


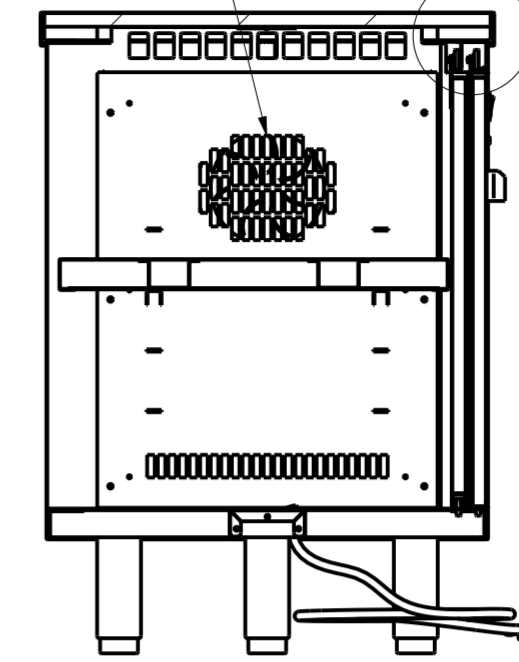
FRONT VIEW  
B-B C-C 1:10



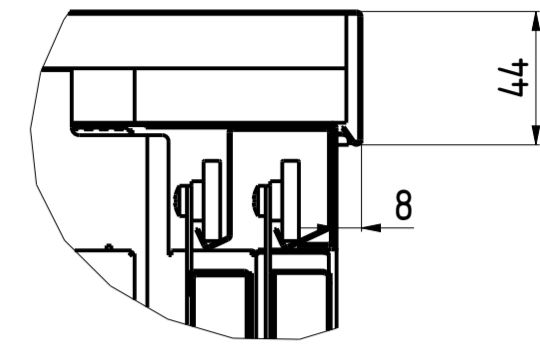
E-E

USCITA MODULO CALDO  
POWER SUPPLY OUTPUT

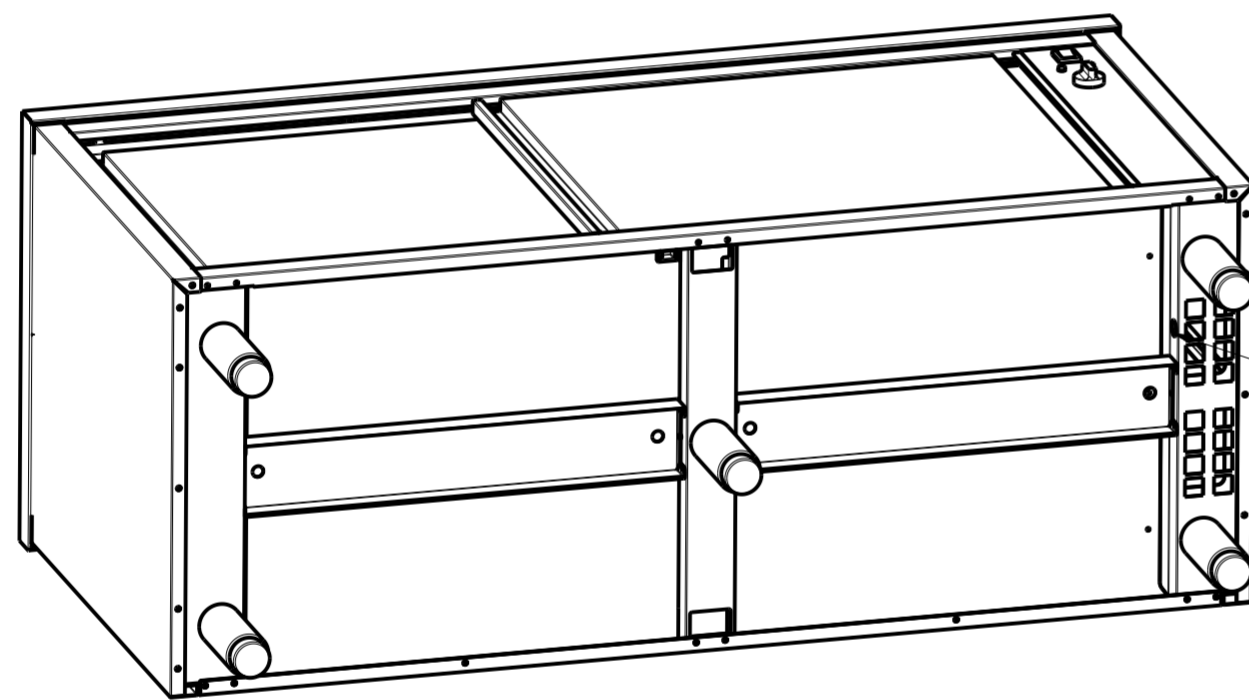
PASSAGGIO ARIA CALDA  
HOT AIR PASSAGE GRILL



E

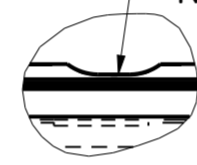


E 2:5



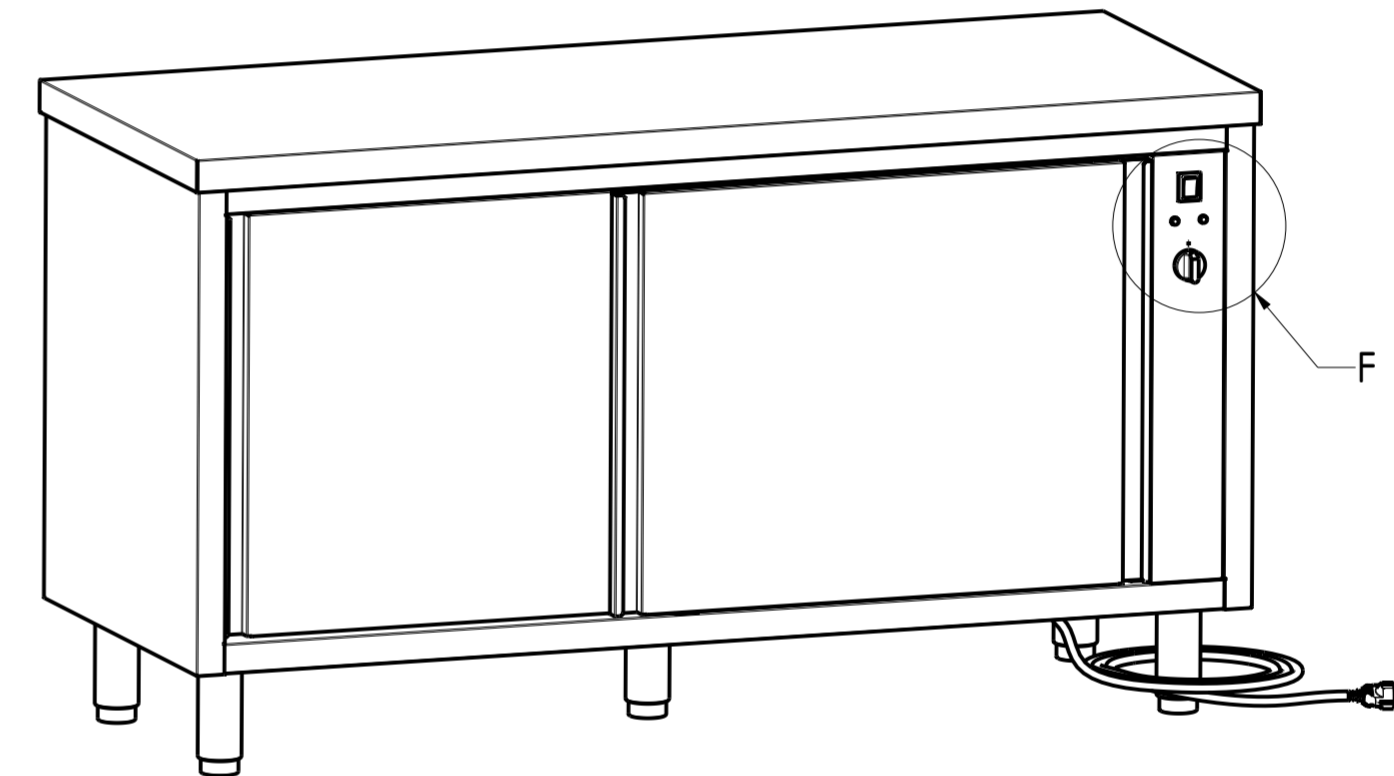
3D BOTTOM VIEW 1:10

NR.2 ASOLE RIMOZIONE PORTE  
NR.2 DOORS REMOVAL HOLES



C  
1:2

\*USCITA MODULO CALDO  
POWER SUPPLY OUTPUT



F

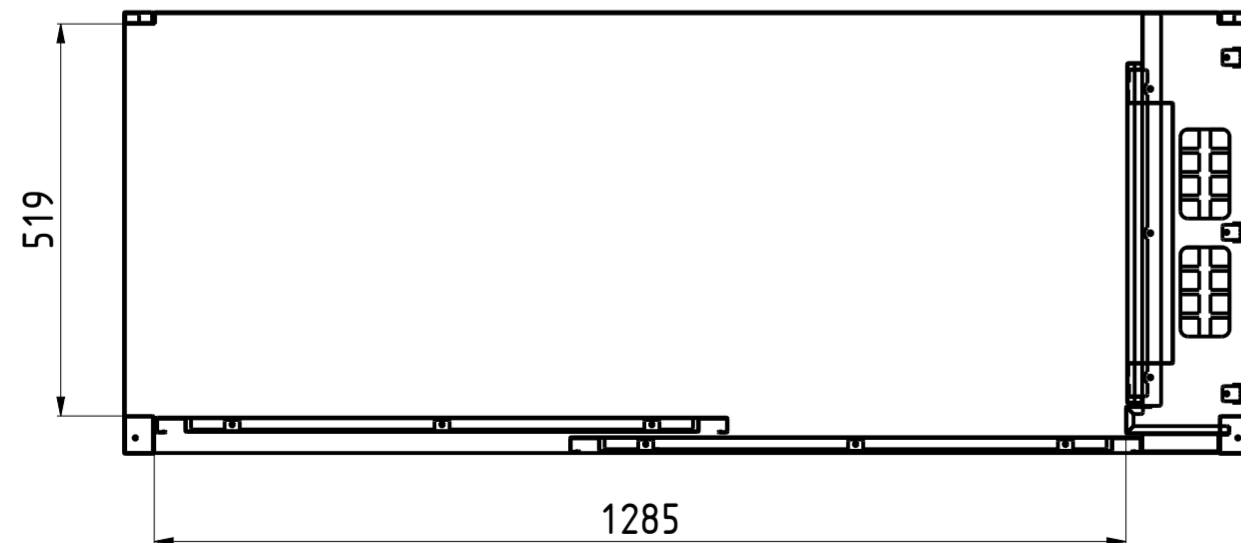
ON/OFF

SPIA VERDE - TAVOLO ALLA TEMP. DESIDERATA  
GREEN LIGHT - CABINET AT THE DESIRED TEMP.

SPIA ROSSA - IN RISCALDAMENTO  
RED LIGHT - DURING THE HEATING

REGOLAZIONE TEMPERATURA 30/90°  
TEMP SETTING 30/90°

F 1:5

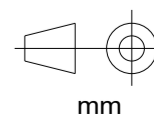


INTERNAL DIM  
D-D

DATA DATE	MODIF. N. MODIF. NO.	DESCRIZIONE MODIFICHE MODIFICATION DESCRIPTION	DISegnATO DRAWN BY	APPROVATO APPROVED
MODELLO MODEL	TAVOLO ARMADIATO CALDO 150x60 SCHUKO HOT TABLE CABINET 150x60 SCHUKO		DISEGNO N. DRAWING NO.	SCALA SCALE
PARTICOLARE DETAIL	SCHEDA TECNICA DATA SHEET		DISEGNATO DRAWN BY	DATA DATE
MATERIALE MATERIAL	AISI 304 - AISI 430	SPESSE THICK.	APPROVATO APPROVED	SHEET 2 OF 3
FINITURA FINISH		PEZZI N. PIECES NO.	SOSTITUISCE IL DIS. N. IT REPLACES DRAWING NO.	ULTIMA EMISS. LAST EDITION
TRATTAMENTO TREATMENT		COLORE COLOUR	SOSTITUITO DAL DIS. N. REPLACED BY DRAWING NO.	

**RISTOPRO**  
PROFESSIONAL CATERING EQUIPMENT

RISTOPRO SRL  
FRAZ. BORGO TUFICO, 47 FABRIANO (AN)  
ITALY +39.732.043494  
WWW.RISTOPRO.COM



mm

FORM.A-2

ELABORATO CON SISTEMA CAD  
DESIGNED BY CAD/STEM

QUOTA PRIMARIA  
PRIMARY DIMENSION  
XX

ANGOLI  
Angles  
30°

TOLLERANZA UNLESS OTHERWISE STATED	TOLERANCE
>500	±0.75
400-500	±0.65
315-400	±0.60
250-315	±0.55
180-250	±0.50
120-180	±0.45
80-120	±0.40
50-80	±0.35
30-50	±0.30
18-30	±0.25
10-18	±0.20
5-10	±0.15
0-5	±0.10

LUNGH. E DIAM.  
LENGTH AND DIAM.