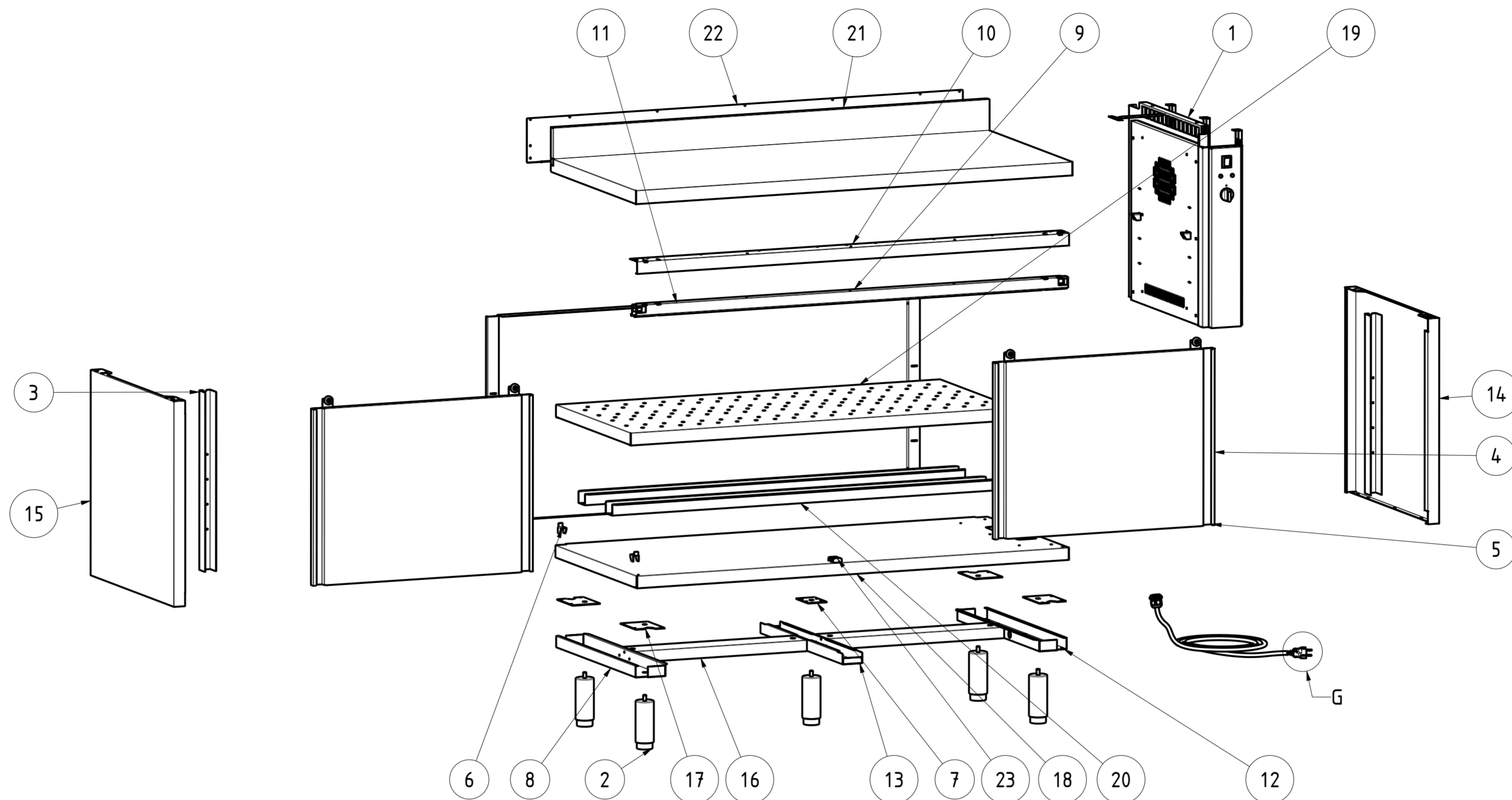


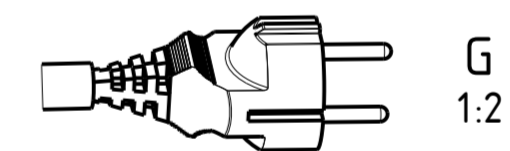
EXPLOSIONSZEICHNUNG



KBS Gastrotechnik GmbH – Schoßbergstraße 26 – 65201 Wiesbaden



23	TACCHDSTA	2	TACCHETTO GUIDA PORTE	SLIDING DOOR GUIDE
22	NT4014Q	1	CHIUSURA ALZATINA TOP Q L150	UPSTAND BACK TOP Q L150
21	NT3967Q	1	TOP Q CON ALZATINA 150x70	TOP Q UPSTAND 150x70
20	NT4448	2	OMEGA RINFORZO PIANO INTERNO TAC TACP L150	OMEGA SHELF RENINFORCEMENT L150
19	NT4447	1	PIANO INTERNO REGOLABILE TAC 150x70	INTERNAL ADJUSTABLE SHELF TAC 150x70
18	NT4446	1	PIANO BASE CALDO 150x70	BASE SHELF 150x70
17	NT4144	4	PIASTRA RIV PIEDINO PORTA BATTENTE	PLATE EXTERNAL LEG HINGED DOOR
16	NT4060	2	OMEGA LONGITUDINALE (DIV.2) L150	LONGITUDINAL OMEGA L150
15	NT4044	1	PANNELLO LATERALE SX P70 H85	LEFT SIDE PANEL P70 H85
14	NT4043	1	PANNELLO LATERALE DX CALDO P70 H85	RIGHT SIDE PANEL P70 H85
13	NT4033	1	OMEGA CENTR RIV. PIANO BASE P70	CENTRAL OMEGA BASE SHELF P70
12	NT4032	1	OMEGA LATERALE PIANO BASE TAVOLO CALDO P70	LATERAL OMEGA BASE SHELF HOTTED P70
11	NT3633	1	SCHIENALE L150 H85	BACK L150 H85
10	NT3593	1	ANGOLARE SUPP. BINARIO L150	ANGULAR BINARY SUPPORT L150
9	NT3582	1	BINARIO TAVOLI ARMADIATI L150	BINARY L150
8	NT2450	1	OMEGA LATERALE PIANO BASE P70	LATERAL OMEGA BASE SHELF P70
7	NT335	1	PIASTRA RINFORZO PER GAMBA CENTRALE	PLATE CENTRAL LEG
6	NT330	2	STAFFA SUPPORTO RIPIANO INTERNO	GANCRIIP - INTERNAL SHELF SUPPORT BRACKET
5	NT317	2	PAN. EST. ANTA SCORREVOLE PER PENSILE L150 H85	EXTERNAL SLIDING DOOR CABINET L150 H85
4	NT310	2	PAN. INT. ANTA SCORREVOLE PENSILE L150 H85	INTERNAL SLIDING DOOR CABINET L150 H85
3	NT101	2	MONTANTE ASOLATO PER LATERALI H85	SLOTTED UPRIGHT H85
2	DSPIEDTA	5	PIEDINO PER TAVOLI ARMADIATI	FOOT FOR CABINET TABLES
1	ASS_GRUPPO_CALDO_70_PSH	1	ASSIEME GRUPPO CALDO P70 SCHUKO	HOT GROUP ASSEMBLY P70 SCHUKO
ITEM NO	PART NUMBER	QTY	DESCRIPTION	



DATA DATE	MODIF. N. MODIF. NO.	DESCRIZIONE MODIFICHE MODIFICATION DESCRIPTION	DISegnATO DRAWN BY	APPROVATO APPROVED
MODELLO MODEL	TAVOLO ARMADIATO CALDO 150x70 SCHUKO ALZATINA HOT TABLE CABINET 150x70 SCHUKO UPSTAND		DISegno N. DRAWING NO.	DSTAC157APSH
PARTICOLARE DETAIL	ESPLOSO EXPLODED VIEW		DISegnATO DRAWN BY	M.PAPI
MATERIALE MATERIAL	AISI 304 - AISI 430	SPESSE THICK.	APPROVATO APPROVED	SHEET 3 OF 3
FINITURA FINISH		PEZZI N. PIECES NO.	SOSTITUISCE IL DIS. N. IT REPLACES DRAWING NO.	ULTIMA EMISS. LAST EDITION
TRATTAMENTO TREATMENT		COLORE COLOUR	SOSTITUITO DAL DIS. N. REPLACED BY DRAWING NO.	
		RISTOPRO SRL FRAZ. BORGO TUFICO, 47 FABRIANO (AN) ITALY +39.732.043494 WWW.RISTOPRO.COM		 mm

ELABORATO CON SISTEMA CAD
DESIGNED BY CAD\$TEM

QUOTA PRIMARIA
PRIMARY DIMENSION
XX

ANGOLI
Angles
30°

TOLLERANZA UNLESS OTHERWISE STATED

>500	±0.75
400-500	±0.65
315-400	±0.60
250-315	±0.55
180-250	±0.50
120-180	±0.45
80-120	±0.40
50-80	±0.35
30-50	±0.30
10-30	±0.25
5-10	±0.15
0-5	±0.10

QUOTE SENZA TOLLERANZA

LUNGH. E DIAM.
LENGTH AND DIAM.
mm

FORM.A-2