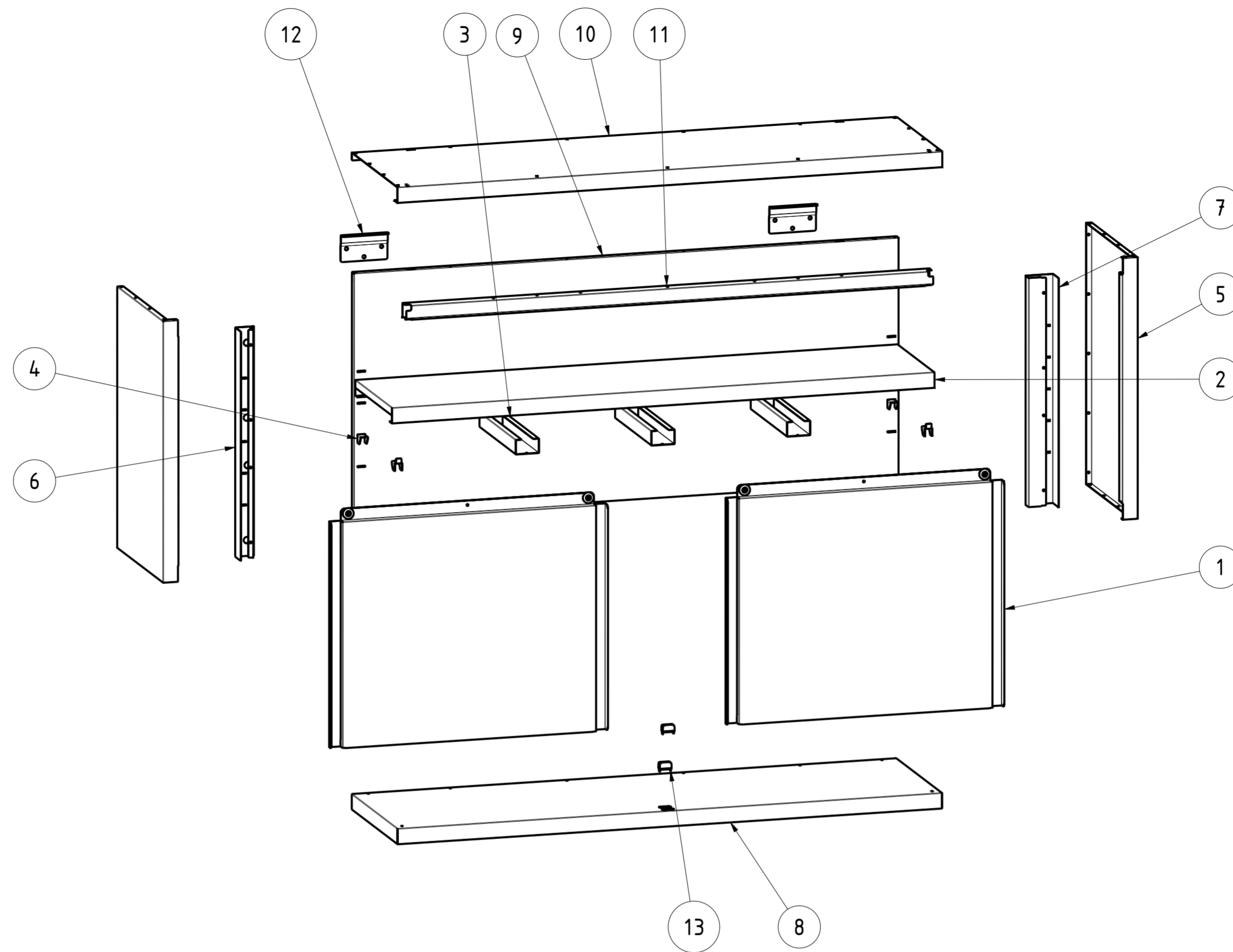


EXPLOSIONSZEICHNUNG



KBS Gastrotechnik GmbH – Schoßbergstraße 26 – 65201 Wiesbaden



13	TACCHDSTA	2	TACCHETTO GUIDA PORTE	SLIDING DOOR GUIDE
12	SF234	2	STAFFA POSTERIORE FISSAGGIO A MURO	FIXING BRACKET
11	NT2512	1	BINARIO SUPERIORE ANTA SCORREVOLE PENS. RIV L140	UPPER RAIL SLIDING DOORS L140
10	NT2503	1	TOP PENSILE ANTA SCOR L140 P40	SLIDING DOOR CABINET TOP L140 P40
9	NT2487	1	SCHIENALE PENSILE L140 H65	CABINET BACK L140 H65
8	NT2462	1	PIANO BASE PENSILI RIV. PORTE SCOR. L140 P40	BASE SHELF SLIDING DOORS L140 P40
7	NT2307	1	MONTANTE ASOLATO BATTUTA PENSILI ANTA SCOR. H65	DOOR SLOTTED UPRIGHT H65
6	NT2306	1	MONTANTE ASOLATO RISC. PENSILI ANTA SCOR. H65	FOLDED UPRIGHT H65
5	NT2305	2	FIANCO SX/DX PENSILI PORTE SCORREVOLI P40 H65	LEFT/RIGHT SIDE CABINET SLIDING DOORS P40 H65
4	NT330	4	STAFFA SUPPORTO RIPIANO INTERNO	GANCRIIP - INTERNAL SHELF SUPPORT BRACKET
3	NT228	3	OMEGA RIPIANO MOBILE PENSILE P40	OMEGA INTERNAL SHELF P40
2	NT223	1	RIPIANO MOBILE PENSILE L140 P40	ADJUSTABLE SHELF L140 P40
1	ASS_PS_140_65	2	ASSIEME PORTA SCORREVOLE L140 H65	HANGING SLIDING DOORS ASSEMBLY L140 H65
ITEM NO	PART NUMBER	QTY	DESCRIPTION	

DATA DATE	MODIF. N. MODIF. NO.	DESCRIZIONE MODIFICHE MODIFICATION DESCRIPTION	DISegnATO DRAWN BY	APPROVATO APPROVED
MODELLO MODEL	PENSILE ARMADIATO PORTE SCORREVOLI 140x40x65 HANGING CABINET SLIDING DOORS 140x40x65		DISEGNO N. DRAWING NO. DSPA1446	SCALA SCALE -
PARTICOLARE DETAIL	SCHEDA TECNICA DATA SHEET		DISEGNATO DRAWN BY M.PAPI	DATA DATE -
MATERIALE MATERIAL	AISI 304 - AISI 430	SPES.S. THICK. -	APPROVATO APPROVED	SHEET 2 OF 2
FINITURA FINISH		PEZZI N. PIECES NO.	SOSTITUISCE IL DIS. N. IT REPLACES DRAWING NO.	ULTIMA EMISS. LAST EDITION
TRATTAMENTO TREATMENT	COLORE COLOUR		SOSTITUITO DAL DIS. N. REPLACED BY DRAWING NO.	
		RISTOPRO SRL FRAZ. BORGO TUFICO, 47 FABRIANO (AN) ITALY +39.732.043494 WWW.RISTOPRO.COM		 mm

ELABORATO CON SISTEMA CAD DESIGNED BY CADSTEM
 QUOTA PRIMARIA PRIMARY DIMENSION XX
 ANGOLI Angles 30°
 TOLLERANZA UNLESS OTHERWISE STATED
 QUOTE SENZA TOLLERANZA
 >500 ±0.75
 400-500 ±0.65
 315-400 ±0.60
 250-315 ±0.55
 180-250 ±0.50
 120-180 ±0.45
 80-120 ±0.40
 50-80 ±0.35
 30-50 ±0.30
 18-30 ±0.25
 10-18 ±0.20
 5-10 ±0.15
 0-5 ±0.10
 LUNGHEZZE E DIAM. LENGTH AND DIAM.