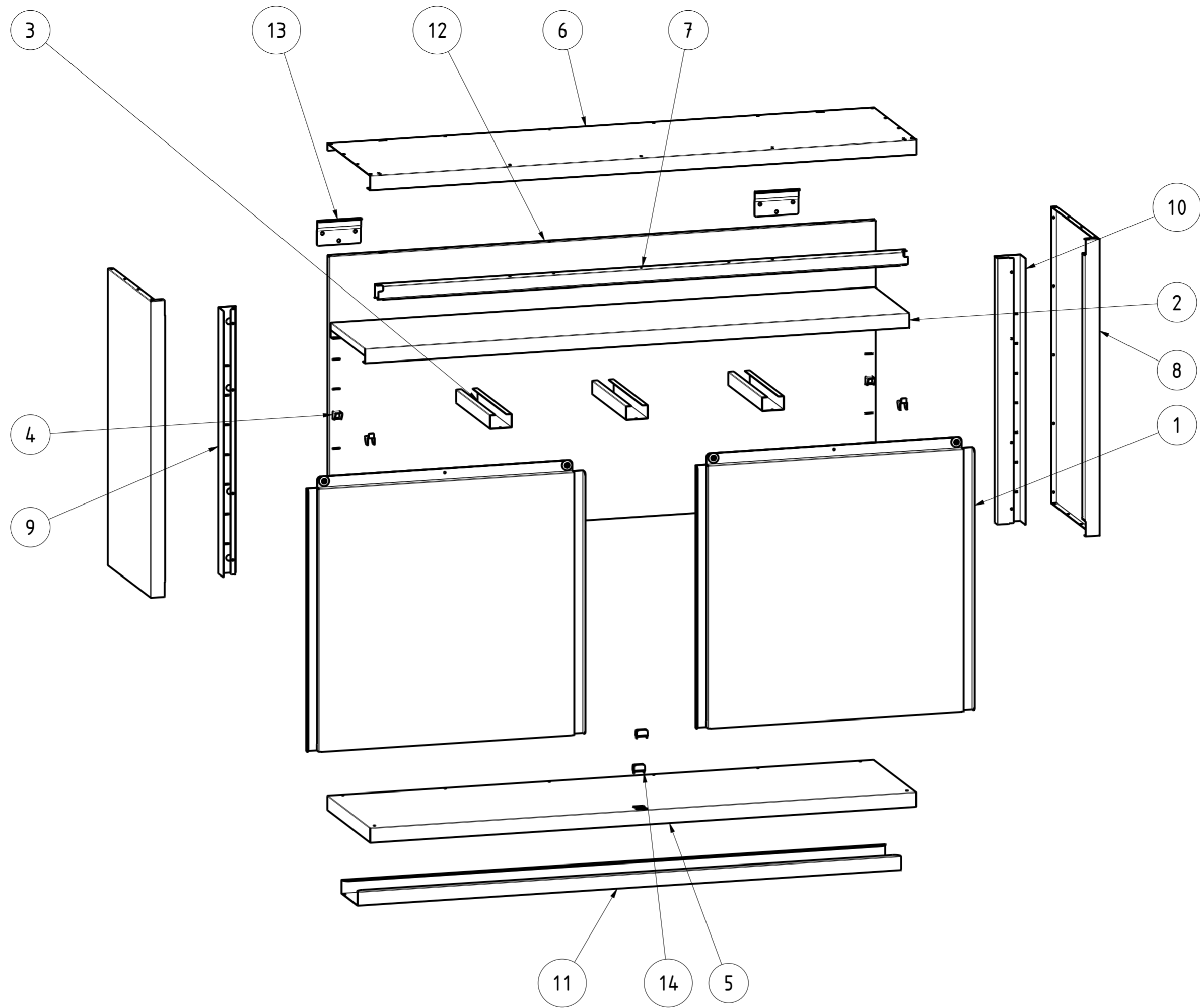


EXPLOSIONSZEICHNUNG



KBS Gastrotechnik GmbH – Schoßbergstraße 26 – 65201 Wiesbaden



14	TACCHDSTA	2	TACCHETTO GUIDA PORTE	SLIDING DOOR GUIDE
13	SF234	2	STAFFA POSTERIORE FISSAGGIO A MURO	FIXING BRACKET
12	NT9577	1	SCHIENALE PENSILE L150 H80	CABINET BACK L150 H80
11	NT5813	1	OMEGA RINFORZO PIANO BASE L150	REINFORCEMENT L150
10	NT4038	1	MONTANTE ASOLATO BATTUTA PENSILI ANTA SCOR. H80	DOOR SLOTTED UPRIGHT H80
9	NT4037	1	MONTANTE ASOLATO RISC. ANTA SCOR. H80	FOLDED UPRIGHT H80
8	NT4036	2	FIANCO SX/DX PENSILI PORTE SCORREVOLI P40 H80	LEFT/RIGHT SIDE CABINET SLIDING DOORS P40 H80
7	NT2513	1	BINARIO SUPERIORE ANTA SCORREVOLE PENS. RIV L150	UPPER RAIL SLIDING DOORS L150
6	NT2504	1	TOP PENSILE ANTA SCOR L150 P40	SLIDING DOOR CABINET TOP L150 P40
5	NT2463	1	PIANO BASE PENSILI RIV. PORTE SCOR. L150 P40	BASE SHELF SLIDING DOORS L150 P40
4	NT330	4	STAFFA SUPPORTO RIPIANO INTERNO	GANCRIP - INTERNAL SHELF SUPPORT BRACKET
3	NT228	3	OMEGA RIPIANO MOBILE PENSILE P40	OMEGA INTERNAL SHELF P40
2	NT224	1	RIPIANO MOBILE PENSILE L150 P40	ADJUSTABLE SHELF L150 P40
1	ASS_PS_150_80N	2	ASSIEME PORTA SCORREVOLE L150 H80	HANGING SLIDING DOORS ASSEMBLY L150 H80
ITEM NO	PART NUMBER	QTY	DESCRIPTION	

DATA DATE	MODIF. N. MODIF. NO.	DESCRIZIONE MODIFICHE MODIFICATION DESCRIPTION	DISegnATO DRAWN BY	APPROVATO APPROVED
MODELLO MODEL	PENSILE ARMADIATO PORTE SCORREVOLI 150x40x80 HANGING CABINET SLIDING DOORS 150x40x80		DISEGNO N. DRAWING NO. DSPA1548	SCALA SCALE -
PARTICOLARE DETAIL	SCHEDE TECNICHE DATA SHEET		DISEGNATO DRAWN BY M.PAPI	DATA DATE -
MATERIALE MATERIAL	SPESSE THICK. -	APPROVATO APPROVED	SHEET 3 OF 3	
FINITURA FINISH	PEZZI N. PIECES NO.	SOSTITUISCE IL DIS. N. IT REPLACES DRAWING NO.	ULTIMA EMISS. LAST EDITION	
TRATTAMENTO TREATMENT	COLORE COLOUR	SOSTITUITO DAL DIS. N. REPLACED BY DRAWING NO.		
RISTOPRO PROFESSIONAL CATERING EQUIPMENT		RISTOPRO SRL FRAZ. BORGO TUFICO, 47 FABRIANO (AN) ITALY +39.732.043494 WWW.RISTOPRO.COM		 mm

ELABORATO CON SISTEMA CAD DESIGNED BY CADSTEM
 QUOTA PRIMARIA PRIMARY DIMENSION
 XX
 ANGOLI Angles 30°
 >500 ±0.75
 400-500 ±0.65
 315-400 ±0.60
 250-315 ±0.55
 120-180 ±0.45
 80-120 ±0.40
 50-80 ±0.35
 30-50 ±0.30
 10-18 ±0.20
 5-10 ±0.15
 0-5 ±0.10
 TOLLERANZA UNLESS OTHERWISE STATED
 QUOTE SENZA TOLLERANZA
 LUNGHEZZE E DIAM. LENGTH AND DIAM.
 FORM.A-2