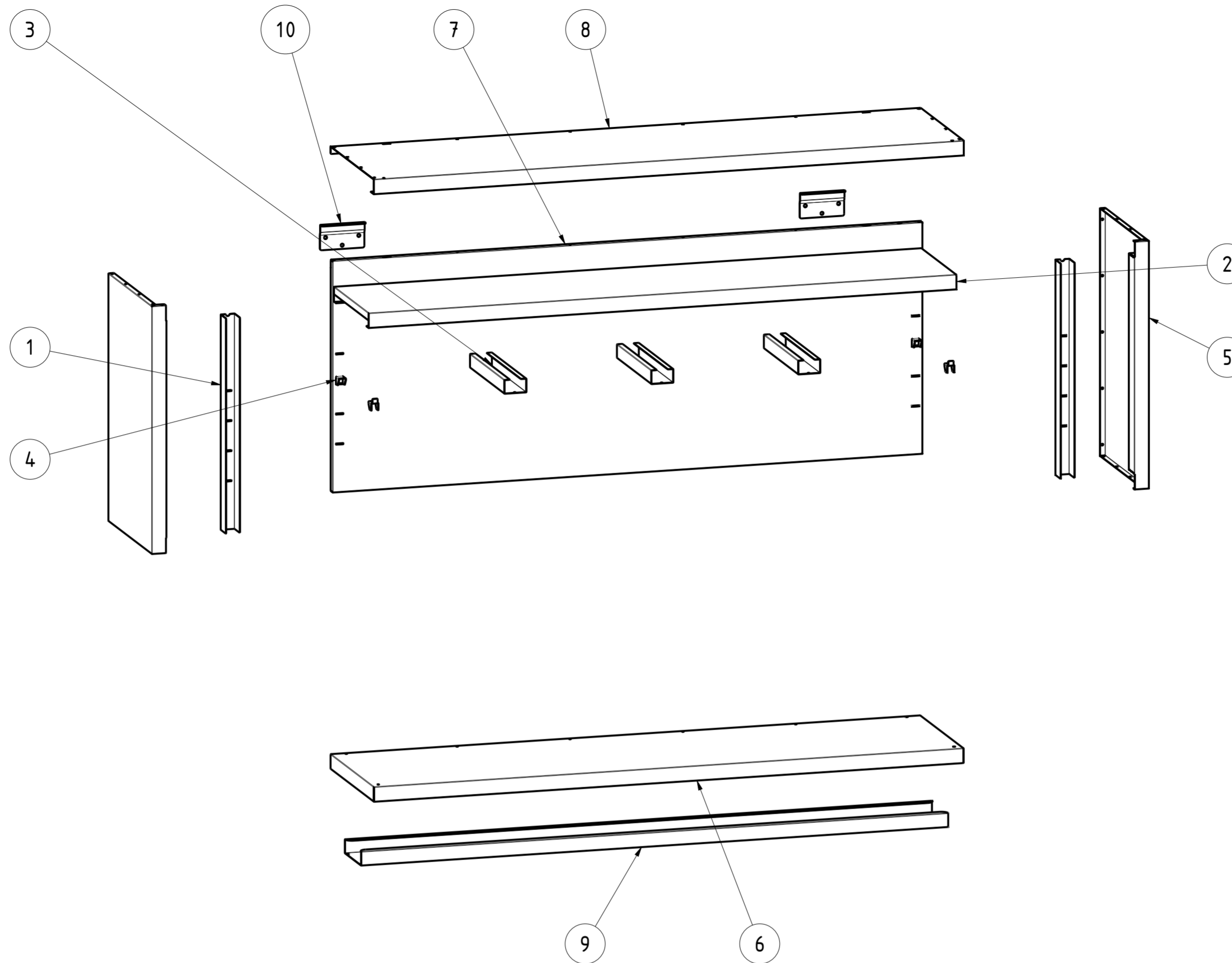


EXPLOSIONSZEICHNUNG



KBS Gastrotechnik GmbH – Schoßbergstraße 26 – 65201 Wiesbaden



10	SF234	2	STAFFA POSTERIORE FISSAGGIO A MURO	FIXING BRACKET
9	NT5814	1	OMEGA RINFORZO PIANO BASE L160	REINFORCEMENT L160
8	NT2498	1	TOP PENSILE GIORNO L160 P40	OPEN CABINET TOP L160 P40
7	NT2489	1	SCHIENALE PENSILE L160 H65	CABINET BACK L160 H65
6	NT2457	1	PIANO BASE PENSILI GIORNO L160 P40	BASE SHELF OPEN L160 P40
5	NT2319	2	FIANCO SX/DX PENSILI PORTE BATT/GIOR P40 H65	LEFT/RIGHT SIDE HING DOORS/OPEN P40 H65
4	NT330	4	STAFFA SUPPORTO RIPIANO INTERNO	GANCRIIP - INTERNAL SHELF SUPPORT BRACKET
3	NT228	3	OMEGA RIPIANO MOBILE PENSILE P40	OMEGA INTERNAL SHELF P40
2	NT225	1	RIPIANO MOBILE PENSILE L160 P40	ADJUSTABLE SHELF L160 P40
1	NT101	2	MONTANTE ASOLATO H65	SLOTTED UPRIGHT H65
ITEM NO	PART NUMBER	QTY	DESCRIPTION	

DATA DATE	MODIF. N. MODIF. NO.	DESCRIZIONE MODIFICHE MODIFICATION DESCRIPTION	DISEGNATO DRAWN BY	APPROVATO APPROVED
MODELLO MODEL	PENSILE GIORNO 160x40x65 HANGING CABINET OPEN 160x40x65		DISSEGNO N. DRAWING NO. DSPG1646	SCALA SCALE -
PARTICOLARE DETAIL	SCHEDA TECNICA DATA SHEET		DISEGNATO DRAWN BY M.PAPI	DATA DATE -
MATERIALE MATERIAL	SPESS. THICK. -	APPROVATO APPROVED	SHEET 3 OF 3	
FINITURA FINISH	PEZZI N. PIECES NO.	SOSTITUISCE IL DIS. N. IT REPLACES DRAWING NO.	ULTIMA EMISS. LAST EDITION	
TRATTAMENTO TREATMENT	COLORE COLOUR	SOSTITUITO DAL DIS. N. REPLACED BY DRAWING NO.		
RISTOPRO PROFESSIONAL CATERING EQUIPMENT		RISTOPRO SRL FRAZ. BORGO TUFICO, 47 FABRIANO (AN) ITALY +39.732.043494 WWW.RISTOPRO.COM		
				mm

ELABORATO CON SISTEMA CAD
 DESIGNED BY CAD/STEM
 QUOTA PRIMARIA
 PRIMARY DIMENSION
 XX
 ANGOLI
 Angles
 >500 ±0.75
 400-500 ±0.65
 315-400 ±0.60
 250-315 ±0.55
 180-250 ±0.50
 120-180 ±0.45
 80-120 ±0.40
 50-80 ±0.35
 30-50 ±0.30
 10-30 ±0.25
 5-10 ±0.15
 0-5 ±0.10
 LUNGHEZZE E DIAM.
 LENGTH AND DIAM.
 TOLLERANZA UNLESS OTHERWISE STATED
 QUOTE SENZA TOLLERANZA
 FORM.A-2