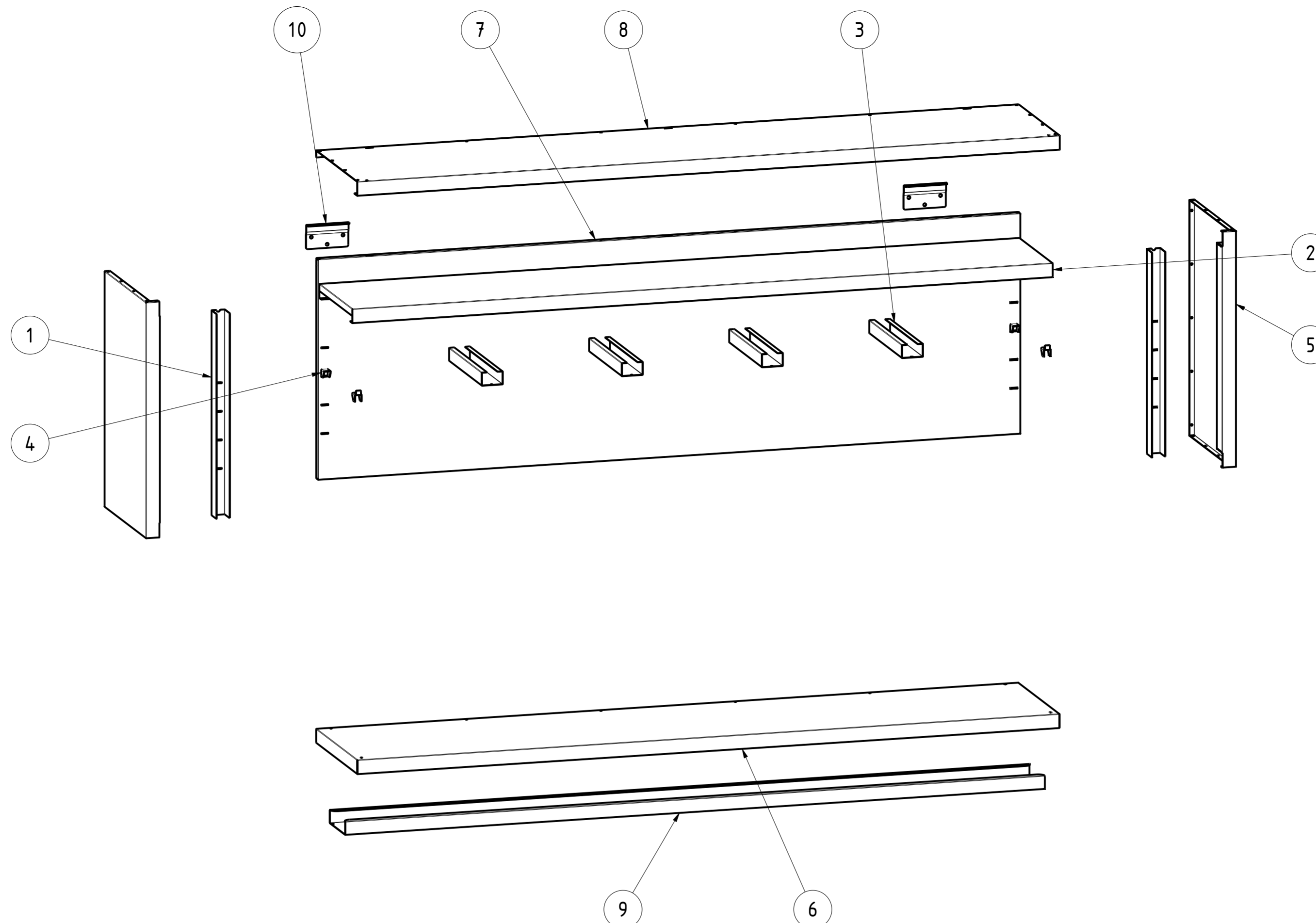


EXPLOSIONSZEICHNUNG



KBS Gastrotechnik GmbH – Schoßbergstraße 26 – 65201 Wiesbaden



10	SF234	2	STAFFA POSTERIORE FISSAGGIO A MURO	FIXING BRACKET
9	NT5818	1	OMEGA RINFORZO PIANO BASE L200	REINFORCEMENT L200
8	NT2500	1	TOP PENSILE GIORNO L200 P40	OPEN CABINET TOP L200 P40
7	NT2491	1	SCHIENALE PENSILE L200 H65	CABINET BACK L200 H65
6	NT2459	1	PIANO BASE PENSILI GIORNO L200 P40	BASE SHELF OPEN L200 P40
5	NT2319	2	FIANCO SX/DX PENSILI PORTE BATT/GIOR P40 H65	LEFT/RIGHT SIDE HING DOORS/OPEN P40 H65
4	NT330	4	STAFFA SUPPORTO RIPIANO INTERNO	GANCRIIP - INTERNAL SHELF SUPPORT BRACKET
3	NT228	4	OMEGA RIPIANO MOBILE PENSILE P40	OMEGA INTERNAL SHELF P40
2	NT227	1	RIPIANO MOBILE PENSILE L200 P40	ADJUSTABLE SHELF L200 P40
1	NT101	2	MONTANTE ASOLATO H65	SLOTTED UPRIGHT H65
ITEM NO	PART NUMBER	QTY	DESCRIPTION	

DATA DATE	MODIF. N. MODIF. NO.	DESCRIZIONE MODIFICHE MODIFICATION DESCRIPTION	DISEGNATO DRAWN BY	APPROVATO APPROVED
MODELLO MODEL	PENSILE GIORNO 200x40x65 HANGING CABINET OPEN 200x40x65		DISSEGNO N. DRAWING NO.	DSPG2046
PARTICOLARE DETAIL	SCHEDA TECNICA DATA SHEET		DISEGNATO DRAWN BY	M.PAPI
MATERIALE MATERIAL	SPESS. THICK.	-	APPROVATO APPROVED	SHEET 3 OF 3
FINITURA FINISH	PEZZI N. PIECES NO.	-	SOSTITUISCE IL DIS. N. IT REPLACES DRAWING NO.	ULTIMA EMISS. LAST EDITION
TRATTAMENTO TREATMENT	COLORE COLOUR	-	SOSTITUITO DAL DIS. N. REPLACED BY DRAWING NO.	
RISTOPRO PROFESSIONAL CATERING EQUIPMENT		RISTOPRO SRL FRAZ. BORGO TUFICO, 47 FABRIANO (AN) ITALY +39.732.043494 WWW.RISTOPRO.COM		 mm

ELABORATO CON SISTEMA CAD
DESIGNED BY CAD/STEM

QUOTA PRIMARIA
PRIMARY DIMENSION
XX

ANGOLI
Angles
30°

TOLLERANZA UNLESS OTHERWISE STATED	30-50	50-80	80-120	120-180	180-250	250-315	315-400	400-500	>500
±0.15	±0.20	±0.25	±0.30	±0.35	±0.40	±0.45	±0.50	±0.55	±0.65

QUOTE SENZA TOLLERANZA

LUNGH. E DIAM.
LENGTH AND DIAM.
±0.10