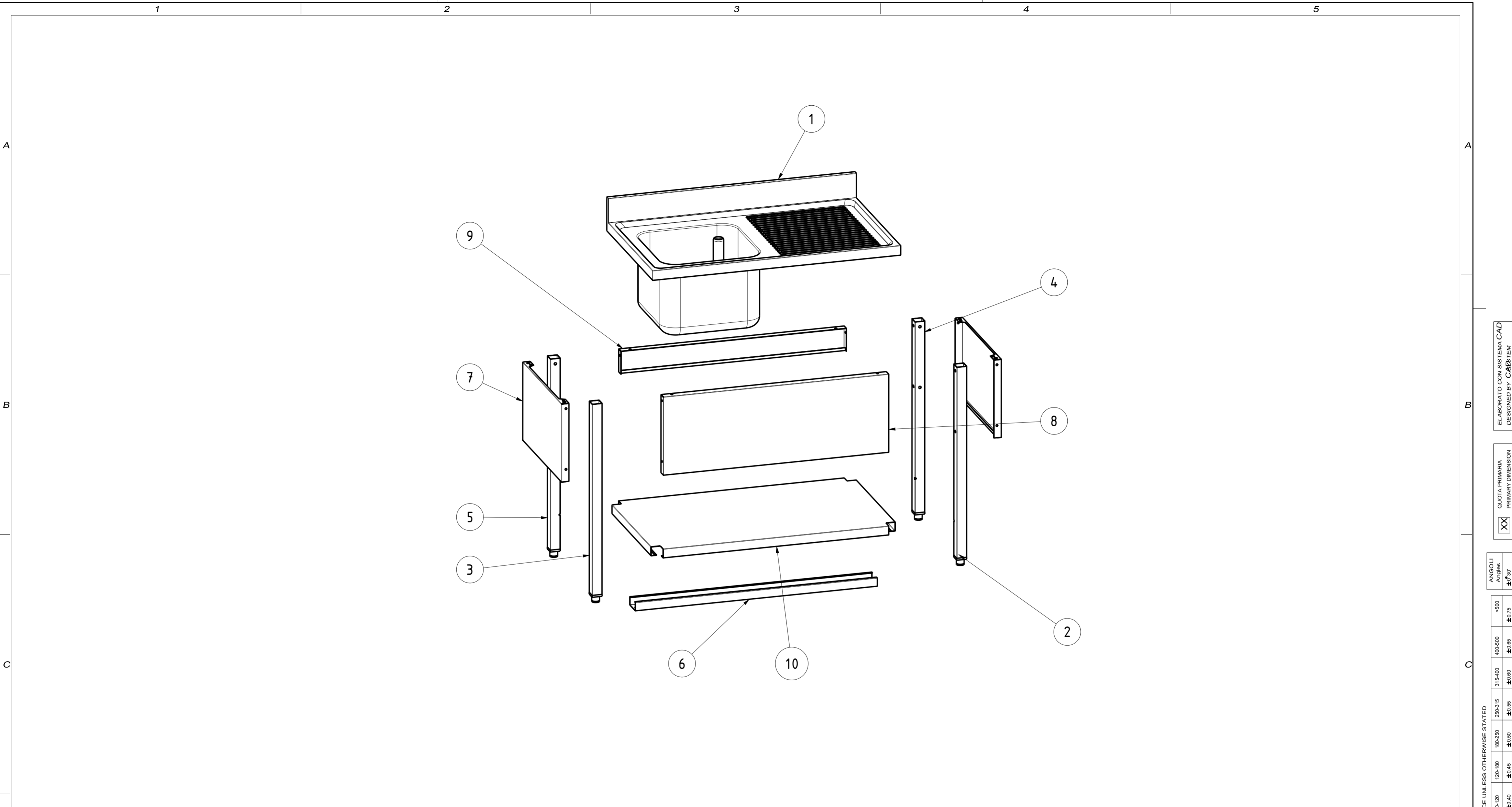


# EXPLOSIONSZEICHNUNG



KBS Gastrotechnik GmbH – Schoßbergstraße 26 – 65201 Wiesbaden



10	NT10634	1	PIANO DI FONDO SALDATO 100x60	BASE WELDED SHELF 100x60
9	NT407	1	PANNELLO CHIUSURA POSTER. L100	REAR CLOSURE PANEL L100
8	NT398	1	PANNELLO CHIUSURA ANTER. L100	FRONT PANEL SINK ON LEGS L100
7	NT394	2	PANNELLO CHIUSURA LATER. P60	LATERAL PANEL SINK ON SQUARE LEGS P60
6	NT270	1	OMEGA PIANO FONDO L100	REINFORCEMENT L100
5	ASS_LEG_ACQ_SINK_PS_1R	1	ASS LEG SINK BACK LEFT	ASS LEG SINK BACK LEFT
4	ASS_LEG_ACQ_SINK_PD_1R	1	ASS LEG SINK BACK RIGHT	ASS LEG SINK BACK RIGHT
3	ASS_LEG_ACQ_SINK_AS_1R	1	ASS LEG SINK FRONT LEFT	ASS LEG SINK FRONT LEFT
2	ASS_LEG_ACQ_SINK_AD_1R	1	ASS LEG SINK FRONT RIGHT	ASS LEG SINK FRONT RIGHT
1	ASS_LAV_1VGD106	1	ASS LAVELLO 100x60 1 VASCA 40x40 GOCC DX	SINK ASSEMBLY 100x60 1 BASIN 40x40 RIGHT DRAWER
ITEM NO	PART NUMBER	QTY	DESCRIPTION	

DATA DATE	MODIF. N. MODIF. NO.	DESCRIZIONE MODIFICHE MODIFICATION DESCRIPTION	DISegnATO DRAWN BY	APPROVATO APPROVED
MODELLO MODEL	LAVATOIO 1 VASCA GOCC DX 100x60 SALDATO SINK 1 BASIN RIGHT DRAINER 100x60 WELDED		DISegno N. DRAWING NO. DSNLG1VGD106T	SCALA SCALE -
PARTICOLARE DETAIL	ESPLOSO EXPLODED VIEW		DISegnATO DRAWN BY M.PAPI	DATA DATE -
MATERIALE MATERIAL	SPESS. THICK.	APPROVATO APPROVED	SHEET 3 OF 3	
FINITURA FINISH	PEZZI N. PIECES NO.	SOSTITUISCE IL DIS. N. IT REPLACES DRAWING NO.	ULTIMA EMISS. LAST EDITION	
TRATTAMENTO TREATMENT	COLORE COLOUR	SOSTITUITO DAL DIS. N. REPLACED BY DRAWING NO.		
		RISTOPRO SRL FRAZ. BORGO TUFICO, 47 FABRIANO (AN) ITALY +39.732.043494 WWW.RISTOPRO.COM		 mm

ELABORATO CON SISTEMA CAD  
 DESIGNED BY CAD/STEM  
 QUOTA PRIMARIA  
 PRIMARY DIMENSION  
 XX  
 ANGOLI  
 Angles  
 >500 ±0,75  
 400-500 ±0,65  
 315-400 ±0,60  
 250-315 ±0,55  
 180-250 ±0,50  
 120-180 ±0,45  
 80-120 ±0,40  
 50-80 ±0,35  
 30-50 ±0,30  
 18-30 ±0,25  
 10-18 ±0,20  
 5-10 ±0,15  
 0-5 ±0,10  
 TOLLERANZA UNLESS OTHERWISE STATED  
 QUOTE SENZA TOLLERANZA  
 DIMENSIONS WITHOUT TOLERANCES  
 LUNGH. E DIAM.  
 LENGTH AND DIAM.  
 FORM.A-2