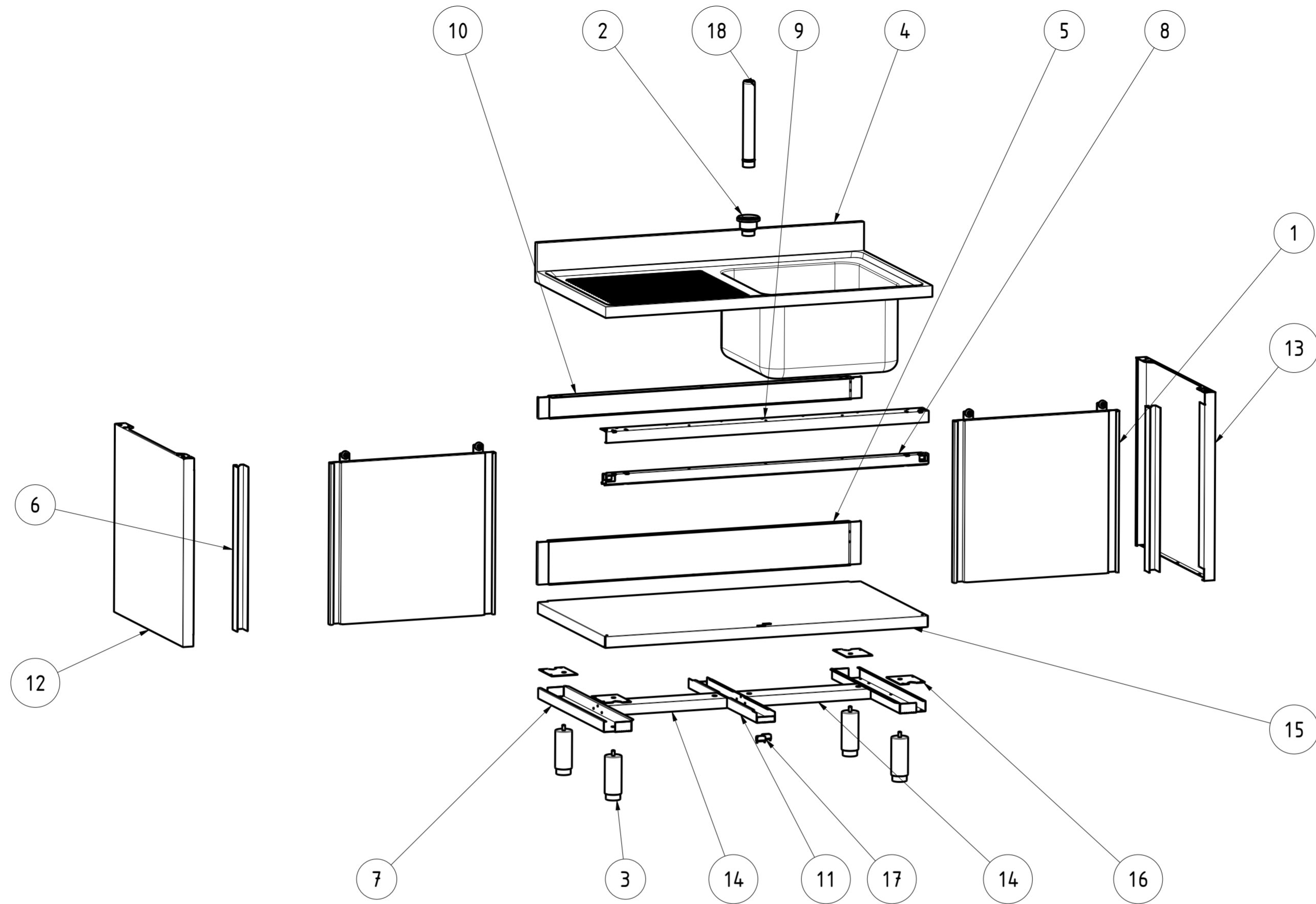


# EXPLOSIONSZEICHNUNG



KBS Gastrotechnik GmbH – Schoßbergstraße 26 – 65201 Wiesbaden



18	TUBO LIVELLO_300	1	TUBO LIVELLO 300	OVERFLOW PIPE
17	TACCHDSTA	2	TACCHETTO GUIDA PORTE	SLIDING DOOR GUIDE
16	NT4144	4	PIASTRA RIV PIEDINO PORTA BATTENTE	PLATE EXTERNAL LEG HINGED DOOR
15	NT4077	1	PIANO BASE 120x70	BASE SHELF 120x70
14	NT4058	2	OMEGA LONGITUDINALE (DIV.2) L120	LONGITUDINAL OMEGA L120
13	NT4046	1	PANNELLO LATERALE DX P70 H85	RIGHT SIDE PANEL P70 H85
12	NT4044	1	PANNELLO LATERALE SX P70 H85	LEFT SIDE PANEL P70 H85
11	NT4033	1	OMEGA CENTR RIV. PIANO BASE P70	CENTRAL OMEGA BASE SHELF P70
10	NT3826	1	SCHIENALE SUPERIORE L120	UPPER BACK L120
9	NT3590	1	ANGOLARE SUPP. BINARIO L120	ANGULAR BINARY SUPPORT L120
8	NT3579	1	BINARIO TAVOLI ARMADIATI L120	BINARY L120
7	NT2450	2	OMEGA LATERALE PIANO BASE P70	LATERAL OMEGA BASE SHELF P70
6	NT502	2	MONTANTE ASOLATO PER LATERALI NEUTRO H85	NEUTRAL UPRIGHT H85
5	NT492	1	SCHIENALE INFERIORE L120	LOWER BACK L120
4	LAV_127_1_55_SX	1	LAVATOIO 120x70 1 VASCA 50x50H30 GOCC. SX	SINK 120x70 1 BASIN 50x50H30 LEFT DRAINER
3	DSPIEDTA	4	PIEDINO PER TAVOLI ARMADIATI	FOOT FOR CABINET TABLES
2	ASS_PILETTA	1	PILETTA DI SCARICO 1" 1/2	WASTE DISCHARGE 1" 1/2
1	APS_L120_H85	2	ASSIEME PORTE SCORREVOLI L120 H85	SLIDING DOORS ASSEMBLY L120 H85
ITEM NO	PART NUMBER	QTY	DESCRIPTION	

DATA DATE	MODIF. N. MODIF. NO.	DESCRIZIONE MODIFICHE MODIFICATION DESCRIPTION	DISegnATO DRAWN BY	APPROVATO APPROVED
MODELLO MODEL	LAV ARM 1 VAS 50x50x30 GOCC SX 120x70 SINK ON CABINET 1 BAS 50x50x30 LEFT DRAINER 120x70		DISEGNO N. DRAWING NO. DSLA1VGS127	SCALA SCALE -
PARTICOLARE DETAIL	ESPLOSO EXPLODED VIEW		DISEGNATO DRAWN BY M.PAPI	DATA DATE -
MATERIALE MATERIAL	SPESS. THICK. -	APPROVATO APPROVED	SHEET 4 OF 4	
FINITURA FINISH	PEZZI N. PIECES NO.	SOSTITUISCE IL DIS. N. IT REPLACES DRAWING NO.	ULTIMA EMISS. LAST EDITION	
TRATTAMENTO TREATMENT	COLORE COLOUR	SOSTITUITO DAL DIS. N. REPLACED BY DRAWING NO.		
		RISTOPRO SRL FRAZ. BORGO TUFICO, 47 FABRIANO (AN) ITALY +39.732.043494 WWW.RISTOPRO.COM		 mm

ELABORATO CON SISTEMA CAD DESIGNED BY CADSTEM  
 QUOTA PRIMARIA PRIMARY DIMENSION XX  
 ANGOLI Angles 30°  
 TOLLERANZA UNLESS OTHERWISE STATED  
 >500 ±0.75  
 400-500 ±0.65  
 315-400 ±0.60  
 250-315 ±0.55  
 180-250 ±0.50  
 120-180 ±0.45  
 80-120 ±0.40  
 50-80 ±0.35  
 30-50 ±0.30  
 10-30 ±0.25  
 5-10 ±0.15  
 0-5 ±0.10  
 LUNGHEZZE E DIAM. LENGTH AND DIAM.