

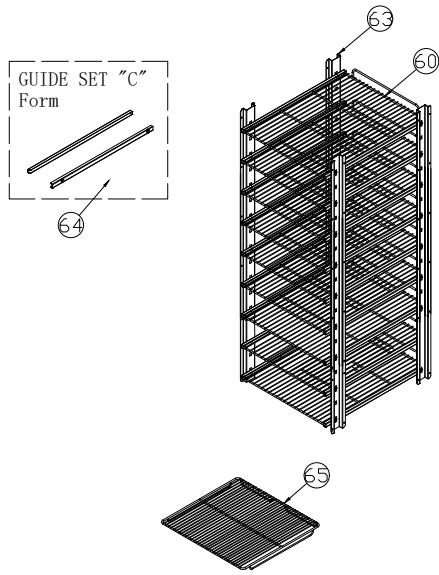
EXPLOSIONSZEICHNUNG



KBS Gastrotechnik GmbH – Schoßbergstraße 26 – 65201 Wiesbaden

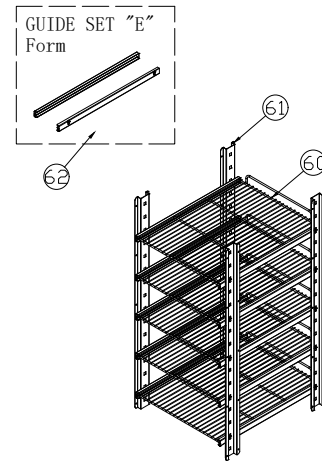
GE 688S-GEX 688S

RANGE

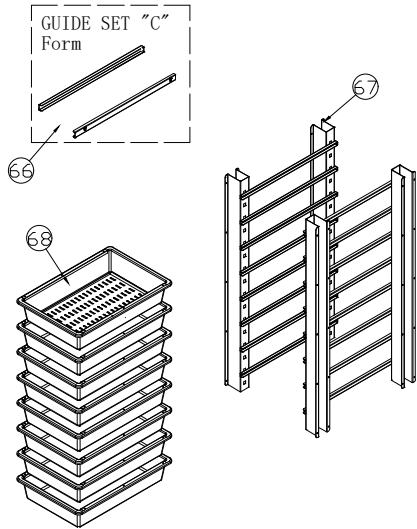


QR 688S-QRX 688S / QN 688S-QNX 688S

RANGE

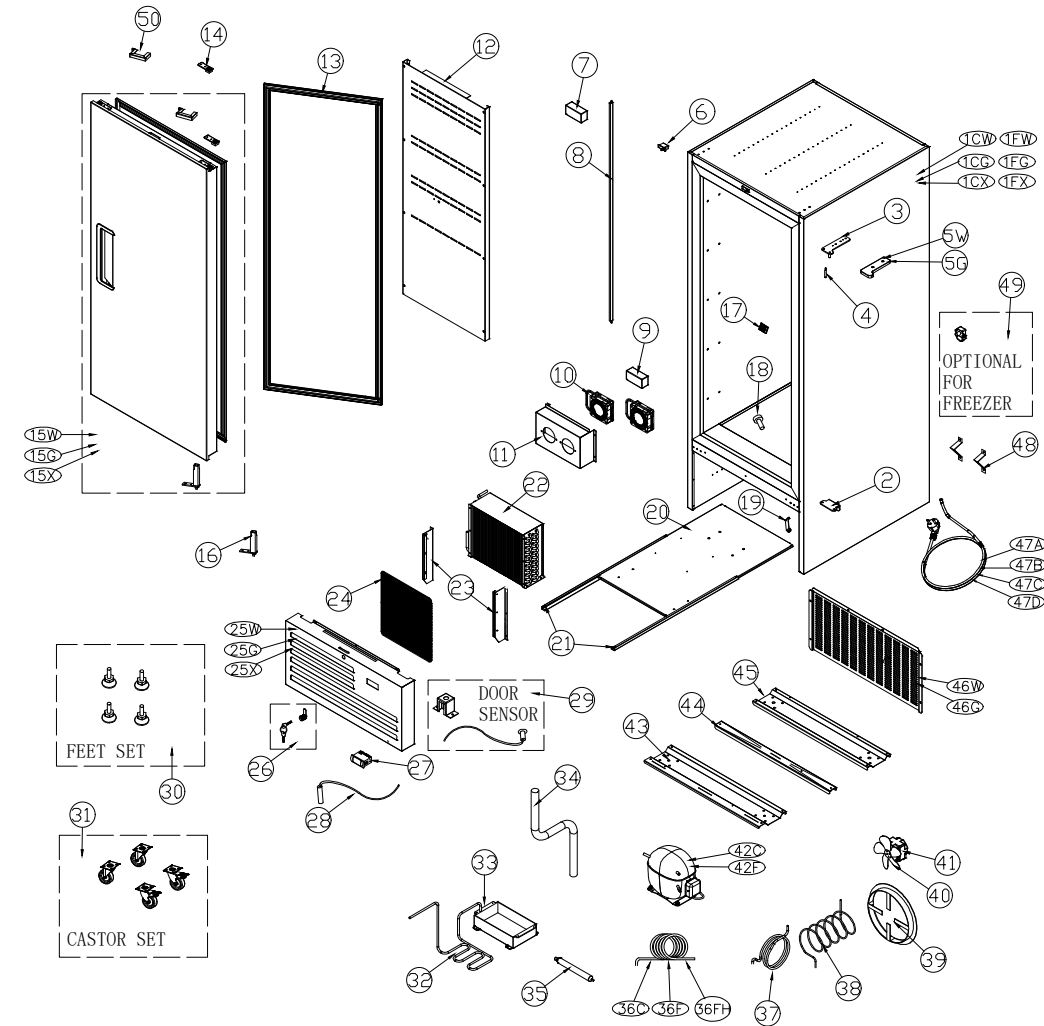
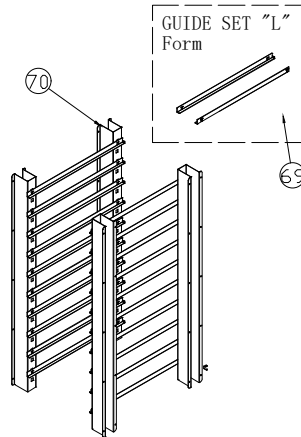




QRX 688FH



BY 740S-BYX 740S / BN 740S-BNX 740S

RANGE



DATE: 2019/10/09	VERSION: A0	DESCRIPTION			DESIGN BY:
		SCALE	MODEL	Q. TY	REMARKS:
		1:1	STATIC RANGE		
MATERIAL: S4/S5		STATIC CABINET RANGE EXPLODED VIEW			
DESIGN BY: Camilla		(Chiller and Freezer)			
APPROVED BY: Alberto		CATEGORY	TYPE	GROUP	PART N°
DATE: 2019/10/09		EV	1CK8	A0	1600